



Installation Instructions

TAPCON[®] 230. Voltage regulator • regulador de tensión • Spannungsregler • Régulateur de tension • Regulador de tensão

7820658/06 EN-ES-DE-FR-PT



© All rights reserved by Maschinenfabrik Reinhausen

Dissemination and reproduction of this document and use and disclosure of its content are strictly prohibited unless expressly permitted.

Infringements will result in liability for compensation. All rights reserved in the event of the granting of patents, utility models or designs.

The product may have been altered since this document was published.

We reserve the right to change the technical data, design and scope of supply.

Generally the information provided and agreements made when processing the individual quotations and orders are binding.

The product is delivered in accordance with MR's technical specifications, which are based on information provided by the customer. The customer has a duty of care to ensure the compatibility of the specified product with the customer's planned scope of application.

The original operating instructions were written in German.



Table of contents

Índice

Inhaltsverzeichnis

Sommaire

Índice

EN	5
ES	83
DE	163
FR.....	243
PT	321



Installation instructions TAPCON[®] 230. Voltage regulator

7820658/06



© All rights reserved by Maschinenfabrik Reinhausen

Dissemination and reproduction of this document and use and disclosure of its content are strictly prohibited unless expressly permitted.

Infringements will result in liability for compensation. All rights reserved in the event of the granting of patents, utility models or designs.

The product may have been altered since this document was published.

We reserve the right to change the technical data, design and scope of supply.

Generally the information provided and agreements made when processing the individual quotations and orders are binding.

The product is delivered in accordance with MR's technical specifications, which are based on information provided by the customer. The customer has a duty of care to ensure the compatibility of the specified product with the customer's planned scope of application.

The original operating instructions were written in German.

Table of contents

1 Introduction	8	6.3 Downloading the operating instructions	44
1.1 Manufacturer	8	7 Fault elimination	45
1.2 Completeness	8	7.1 General faults	45
1.3 Safekeeping	8	7.2 Human-machine interface	45
2 Safety	9	7.3 Other faults	45
2.1 Appropriate use	9	8 Technical data	47
2.2 Inappropriate use	9	8.1 Display elements	47
2.3 Fundamental safety instructions	10	8.2 Materials	47
2.4 Personnel qualification	11	8.3 Dimensions	47
2.5 Personal protective equipment	12	8.4 Power supply	47
3 IT security	13	8.5 Voltage measurement and current measurement	48
3.1 General	13	8.6 Central processing unit	49
4 Product description	14	8.7 Digital inputs	51
4.1 Function description of the voltage regulation	14	8.8 Digital outputs	52
4.2 Scope of delivery	14	8.9 Analog inputs	54
4.3 Design	15	8.10 Communication interfaces	55
4.3.1 Display, operating elements and front interface	15	8.11 Tap position capture / resistor contact series	57
4.3.2 LEDs	16	8.12 Ambient conditions	57
4.3.3 Connections and fuses	17	8.13 Standards and directives	58
4.3.4 Nameplate	18	8.14 Connection diagrams	59
4.3.5 Safety markings	19	TAPCON® 230 Basic (DI 16-110 V)	60
4.3.6 Connection diagram and grounding screw	19	TAPCON® 230 Basic (DI 16-220 V)	62
4.3.7 Visualization	19	TAPCON® 230 Pro (DI 16-110 V)	64
5 Mounting	21	TAPCON® 230 Pro (DI 16-220 V)	67
5.1 Preparation	21	TAPCON® 230 Expert (DI 16-110 V)	70
5.2 Minimum distances	21	TAPCON® 230 Expert (DI 16-220 V)	73
5.3 Assembly variants	22	TAPCON® 230 AVT	76
5.3.1 Flush panel mounting	22	List of key words	79
5.3.2 Wall mounting with housing (optional)	24		
5.4 Connecting device	27		
5.4.1 Cable recommendation	27		
5.4.2 Electromagnetic compatibility	28		
5.4.3 Connecting cables to the system periphery	30		
5.4.4 Connecting the CAN bus	30		
5.4.5 Connecting SCADA	32		
5.4.6 Wiring voltage measurement/current measurement UI	36		
5.4.7 Wiring analog inputs AI	37		
5.4.8 Wiring DI 16-110 V digital inputs	37		
5.4.9 Wiring DI 16-220 V digital inputs	38		
5.4.10 Wiring digital outputs DO	38		
5.4.11 Wiring resistor contact series	38		
5.4.12 Power supply and grounding	38		
5.5 Performing tests	41		
6 Initial steps	42		
6.1 Establishing connection to visualization	42		
6.2 Setting the language	43		

1 Introduction

This technical file contains detailed descriptions on the safe and proper installation, connection, commissioning and monitoring of the product.

It also includes safety instructions and general information about the product.

This technical file is intended solely for specially trained and authorized personnel.

1.1 Manufacturer

Maschinenfabrik Reinhausen GmbH
Falkensteinstraße 8
93059 Regensburg
Deutschland
+49 941 4090-0
sales@reinhausen.com
reinhausen.com

MR Reinhausen customer portal: <https://portal.reinhausen.com>.

Further information on the product and copies of this technical file are available from this address if required.

1.2 Completeness

This technical document is incomplete without the following supporting documents:

- Connection diagrams
- Operating instructions
 - Available as a download on the device
 - Available for download at www.reinhausen.com
 - Available for download in the MR Customer Portal <https://portal.reinhausen.com>

1.3 Safekeeping

Keep this technical document and all supporting documents ready at hand and accessible for future use at all times. Download the operating instructions from the device. The operating instructions are also available on the Maschinenfabrik Reinhausen GmbH website and in the MR Customer Portal.

2 Safety

- Read this technical file through to familiarize yourself with the product.
- This technical file is a part of the product.
- Print the downloaded document or store it on a data carrier, which is always ready at hand and accessible for future at all times.
- Read and observe the safety instructions provided in this chapter.
- Read and observe the warnings in this technical file in order to avoid function-related dangers.
- The product is manufactured on the basis of state-of-the-art technology. Nevertheless, risks to life and limb for the user or impairment of the product and other material assets due to the function may arise in the event of improper use.

2.1 Appropriate use

The device keeps the output voltage of a transformer with an on-load tap-changer constant. The product is designed solely for use in stationary large-scale electrical energy systems and facilities.

If used as intended, in compliance with the requirements and conditions specified in this technical document and observing the warning notices in this technical document and attached to the product, the product does not pose a risk of injury or damage to property or the environment. This applies throughout the service life of the product, from delivery, installation and operation to removal and disposal.

The following is considered intended use:

- You will find the standard valid for the product and the year of issue on the nameplate.
- Operate the product in accordance with this technical document, the agreed-upon delivery conditions and the technical data.
- Ensure that all necessary work is performed by qualified personnel only.
- Only use the equipment and special tools included in the scope of delivery for the intended purpose and in accordance with the specifications of this technical document.
- Only operate the product in industrial areas.
- Observe the notices in this technical document regarding electromagnetic compatibility and the technical data.
- The product is intended for installation. Make sure that all fire safety precautions and protection against electric shock are met.
- Make sure that the resistance to mechanical stress is met.

2.2 Inappropriate use

Use is considered to be inappropriate if the product is used other than as described in the Intended use section. In addition, observe the following:

- The product is not a protective device. Do not use it to handle safety-related functions.
- Do not operate the product in potentially explosive areas.

2.3 Fundamental safety instructions

To prevent accidents, malfunctions and damage as well as unacceptable adverse effects on the environment, those responsible for transport, installation, operation, maintenance and disposal of the product or parts of the product must ensure the following:

Personal protective equipment

Loosely worn or unsuitable clothing increases the danger of becoming trapped or caught up in rotating parts and the danger of getting caught on protruding parts. This poses a danger to life and limb.

- Wear appropriate personal protective equipment such as a helmet, work gloves, etc. for the respective activity.
- Never wear damaged personal protective equipment.
- Never wear rings, necklaces, or other jewelry.
- If you have long hair, wear a hairnet.

Work area

Untidy and poorly lit work areas can lead to accidents.

- Keep the work area clean and tidy.
- Make sure that the work area is well lit.
- Observe the applicable laws for accident prevention in the relevant country.

Working during operation

The product may only be operated in a sound, operational condition. Otherwise it poses a danger to life and limb.

- Regularly check the operational reliability of safety equipment.
- Comply with the inspection work, maintenance work and maintenance intervals described in this technical file.

Invisible laser radiation

Looking directly into the beam or the reflected beam can cause eye damage. The beam is emitted at the optical connections or at the end of the fiber-optic cables connected to them on the assemblies. Read the chapter "Technical Data" [► Section 8, Page 47] for further information.

- Never look directly into the beam or the reflected beam.
- Never look into the beam with the aid of optical instruments such as a magnifying glass or a microscope.
- In the event that the laser beam strikes your eyes, close your eyes immediately and move your head out of the path of the beam.

Working with current transformers

Dangerous high voltages may occur when a current transformer is operated with an open secondary circuit. This can lead to injuries and property damage.

- Never operate a current transformer with an open secondary circuit; short-circuit the current transformer to prevent this.
- Observe the information in the current transformer operating instructions.

Handling electrical components

Electrical components can be damaged by electrostatic discharge.

- Never touch electrical components during commissioning, operation or maintenance work.
- Take suitable measures (such as covers) to ensure that personnel cannot touch components.
- Wear suitable personal protective equipment.

Explosion protection

Highly flammable or explosive gases, vapors and dusts can cause serious explosions and fire.

- Do not install or operate the product in areas where a risk of explosion is present.

Safety markings

Warning signs and safety information plates are safety markings on the product. They are an important aspect of the safety concept.

- Observe all safety markings on the product.
- Make sure all safety markings on the product remain intact and legible.
- Replace safety markings that are damaged or missing.

Ambient conditions

To ensure reliable and safe operation, the product must only be operated under the ambient conditions specified in the technical data.

- Observe the specified operating conditions and requirements for the installation location.

Modifications and conversions

Unauthorized or inappropriate changes to the product may lead to personal injury, material damage and operational faults.

- Only modify the product after consultation with Maschinenfabrik Reinhausen GmbH.

Spare parts

Spare parts not approved by Maschinenfabrik Reinhausen GmbH may lead to physical injury, damage to the product and malfunctions.

- Only use spare parts that have been approved by Maschinenfabrik Reinhausen GmbH.
- Contact Maschinenfabrik Reinhausen GmbH.

2.4 Personnel qualification

The person responsible for assembly, commissioning, operation, maintenance and inspection must ensure that the personnel are sufficiently qualified.

Electrically skilled person

The electrically skilled person has a technical qualification and therefore has the required knowledge and experience, and is also conversant with the applicable standards and regulations. The electrically skilled person is also proficient in the following:

- Can identify potential dangers independently and is able to avoid them.
- Is able to perform work on electrical systems.
- Is specially trained for the working environment in which (s)he works.
- Must satisfy the requirements of the applicable statutory regulations for accident prevention.

Electrically trained persons

An electrically trained person receives instruction and guidance from an electrically skilled person in relation to the tasks undertaken and the potential dangers in the event of inappropriate handling as well as the protective devices and safety measures. The electrically trained person works exclusively under the guidance and supervision of an electrically skilled person.

Operator

The operator uses and operates the product in line with this technical file. The operating company provides the operator with instruction and training on the specific tasks and the associated potential dangers arising from improper handling.

Technical Service

We strongly recommend having maintenance, repairs and retrofitting carried out by our Technical Service department. This ensures that all work is performed correctly. If maintenance is not carried out by our Technical Service department, please ensure that the personnel who carry out the maintenance are trained and authorized by Maschinenfabrik Reinhausen GmbH to carry out the work.

Authorized personnel

Authorized personnel are trained by Maschinenfabrik Reinhausen GmbH to carry out special maintenance.

2.5 Personal protective equipment

Personal protective equipment must be worn during work to minimize risks to health.

- Always wear the personal protective equipment required for the job at hand.
- Never wear damaged personal protective equipment.
- Observe information about personal protective equipment provided in the work area.

Protective clothing	Close-fitting work clothing with a low tearing strength, with tight sleeves and with no protruding parts. It mainly serves to protect the wearer against being caught by moving machine parts.
Safety shoes	To protect against falling heavy objects and slipping on slippery surfaces.
Safety glasses	To protect the eyes from flying parts and splashing liquids.
Visor	To protect the face from flying parts and splashing liquids or other dangerous substances.
Hard hat	To protect against falling and flying parts and materials.
Hearing protection	To protect against hearing damage.
Protective gloves	To protect against mechanical, thermal, and electrical hazards.

Table 1: Personal protective equipment

3 IT security

Observe the following recommendations to operate the product safely.

3.1 General

- Ensure that only authorized personnel have access to the device.
- Only use the device within an ESP (electronic security perimeter). Do not connect the device to the Internet in an unprotected state. Use mechanisms for vertical and horizontal network segmentation and security gateways (firewalls) at the transition points.
- Ensure that the device is only operated by trained personnel who are familiar with IT security.
- Check regularly whether software updates are available for the device and perform the updates.

4 Product description

4.1 Function description of the voltage regulation

The device keeps the output voltage of a transformer with an on-load tap-changer constant.

The device compares the transformer's measured voltage (U_{actual}) with a defined reference voltage (U_{desired}). The difference between U_{actual} and U_{desired} is the control deviation dU .

The device parameters can be adjusted to the line voltage behavior to achieve a balanced control response with the on-load tap-changer only performing a small number of tap-change operations.

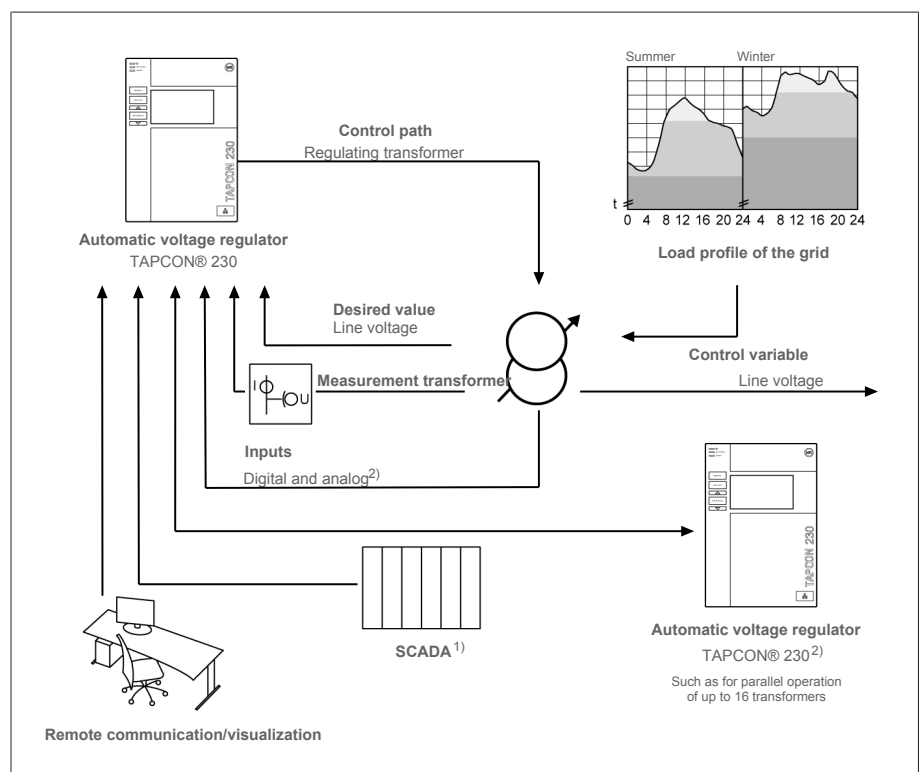


Figure 1: Overview of voltage regulation

¹⁾Only for the TAPCON® 230 Expert and AVT variants.

²⁾Only for the TAPCON® 230 Pro, Expert and AVT variants.

4.2 Scope of delivery

Check the shipment for completeness based on the shipping documents.

- Voltage regulator
- RJ45 patch cables
- Shield clamps
- Plug connectors
- Tension clamps

- Technical documents
- Additional nameplate
- Terminating resistor for CAN bus
- Terminating resistor for RS485 bus

Optional

- Housing for wall mounting
- Device type-dependent:
 - Ethernet to FO converter (SFP module)
 - Serial to FO converter

4.3 Design

4.3.1 Display, operating elements and front interface

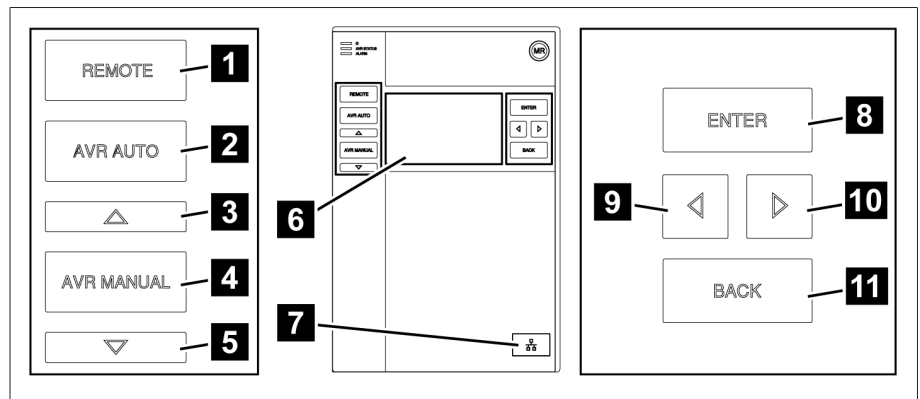


Figure 2: Voltage regulator

1	REMOTE key ¹	Activate REMOTE mode
2	AUTO key	Activate AUTO mode
3	RAISE key ²	Send a control command to the motor-drive unit to increase the voltage.
4	MANUAL key	Activate MANUAL mode
5	LOWER key ²	Send a control command to the motor-drive unit to reduce the voltage.
6	Display	-
7	Front interface	RJ45 Ethernet interface
8	ENTER key	Confirm selection/save modified parameters
9	LEFT cursor	Navigate to the left in the menu
10	RIGHT cursor	Navigate to the right in the menu
11	BACK key	Exit the current menu. Return to the previous menu level

1 Key without function if a digital input is used to toggle between LOCAL/REMOTE.

2 Only possible in manual mode.

4.3.2 LEDs

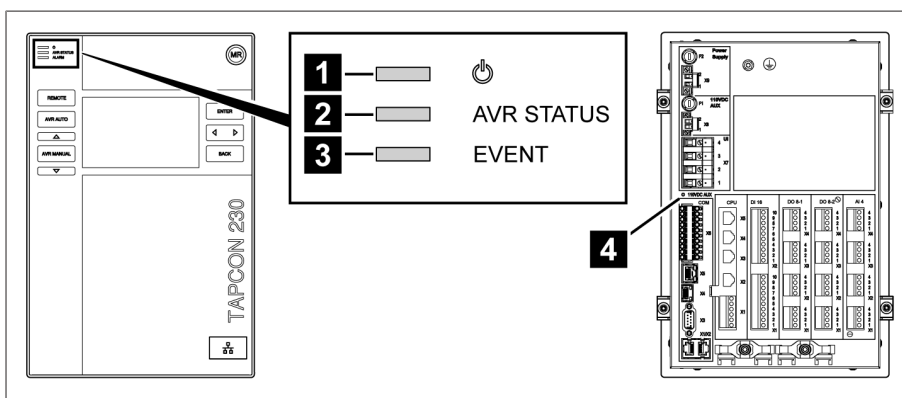


Figure 3: LEDs

1	Power supply LED	Blue	Illuminates when the device is supplied with power.
2	AVR STATUS LED	Red	Illuminates when the device is in the error state.
		Yellow	Illuminates when the device starts or has been paused; e.g. during a software update.
		Blue	Illuminates when the device is in the operating state.
3	ALARM LED	Red	Illuminates as soon as a red event is present.
		Yellow	Illuminates as soon as a yellow event is present.
		Blue	Illuminates if there are no events or a gray event is present.
4	LED X8 110 V DC output	Yellow	Lights up when the 110 V DC output is active.

4.3.3 Connections and fuses

The connections are located on the rear of the device. You will find more information on the connections in the Technical data [►Section 8, Page 47] section.

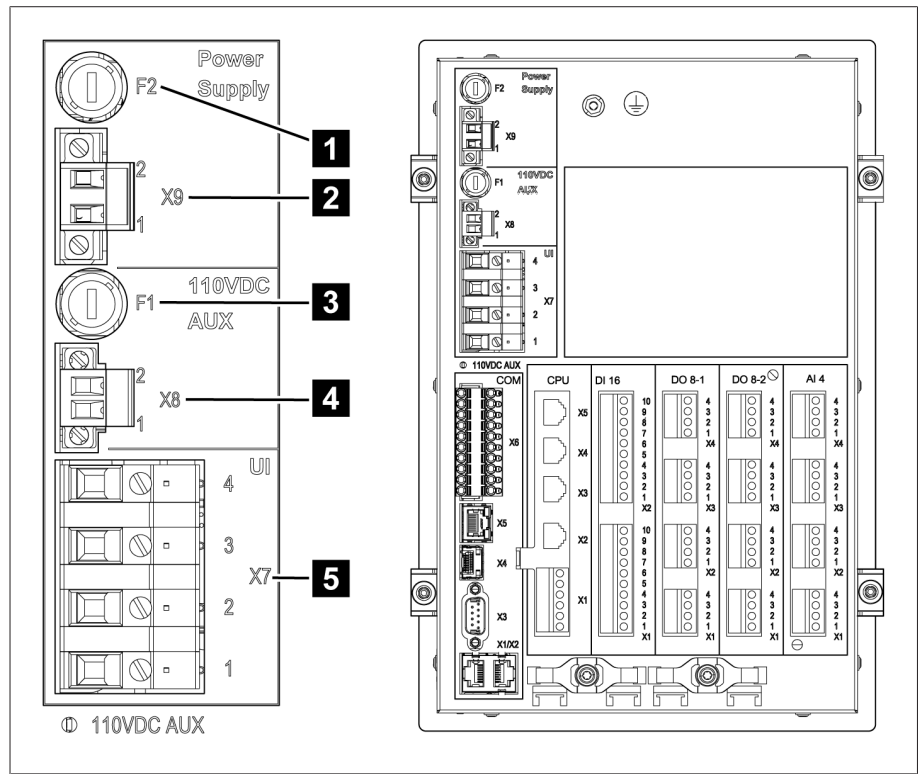


Figure 4: Rear

1	F2	Internal fuse for the power supply	2	X9	Power supply
3	F1	Internal fuse for the Auxiliary supply voltage source 110 V DC ³	4	X8	Auxiliary supply voltage source 110 V DC AUX ³
5	X7	Voltage measurement/ current measurement			

³ Can be used for supplying the digital inputs on devices with DI 16-110 V. Check which version you have by looking at the connection terminal designation on the rear of the device.

Connections and terminals

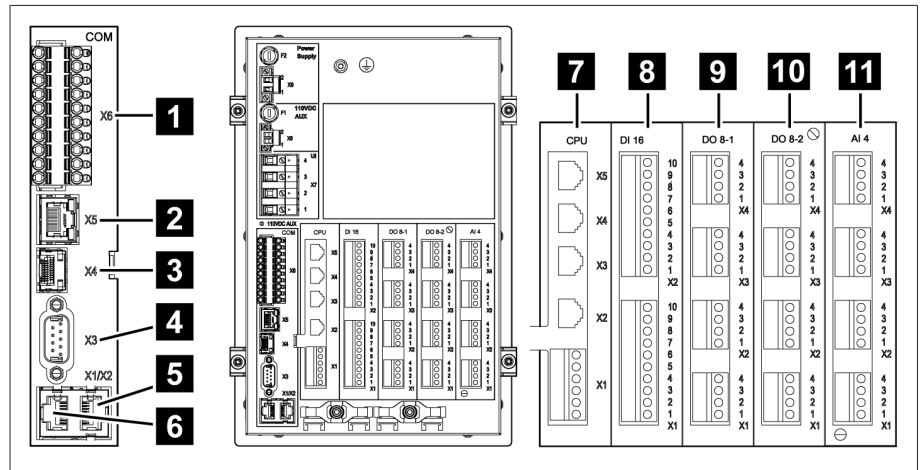


Figure 5: Connections/terminals

1	COM-X6	CAN bus ⁴ /SCADA interface RS485 ⁵ /resistor contact series	2	COM X5	Interface for patch cable for SCADA via fiber-optic cable
3	COM X4	Fiber-optic cable ⁵ (SFP cage for the SFP module)	4	COM X3	SCADA interface RS232 ⁵
5	COM X2	Interface for visualization via the front interface	6	COM X1	Interface for patch cable for RS232 or RS485
7	CPU	Central processing unit	8	DI 16-110 V DI 16-220 V	Digital inputs ⁶
9	DO 8-1	Digital outputs ⁴	10	DO 8-2	Digital outputs ⁴
11	AI 4	Analog inputs ⁴			

4.3.4 Nameplate

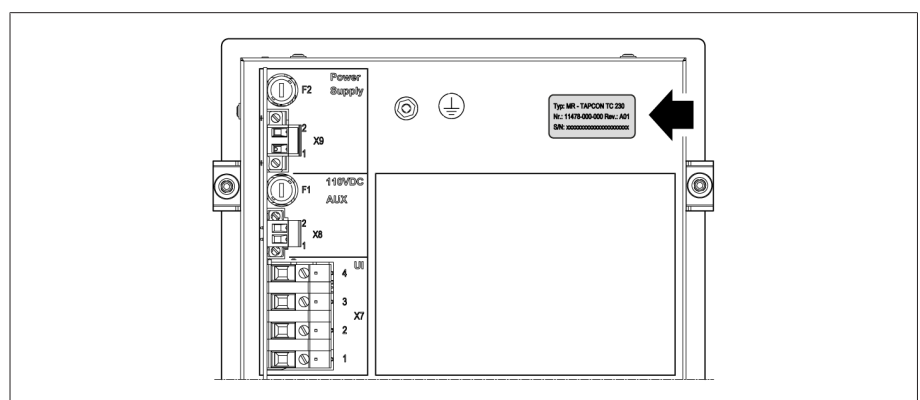


Figure 6: Nameplate on the rear of the device

⁴ Only for the Pro, Expert and AVT versions.

⁵ Only for the Expert version.

⁶ Check which version you have by looking at the connection terminal designation on the rear of the device.

4.3.5 Safety markings

	Warning of a danger point. Read the information given in the product operating instructions.
--	--

4.3.6 Connection diagram and grounding screw

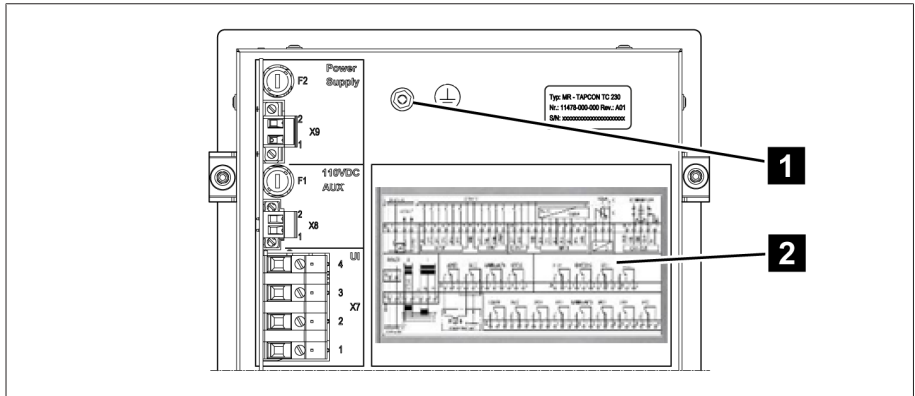


Figure 7: Connection diagram/grounding screw

1	Grounding screw	2	Connection diagram
---	-----------------	---	--------------------

4.3.7 Visualization

4.3.7.1 Main screen

Home

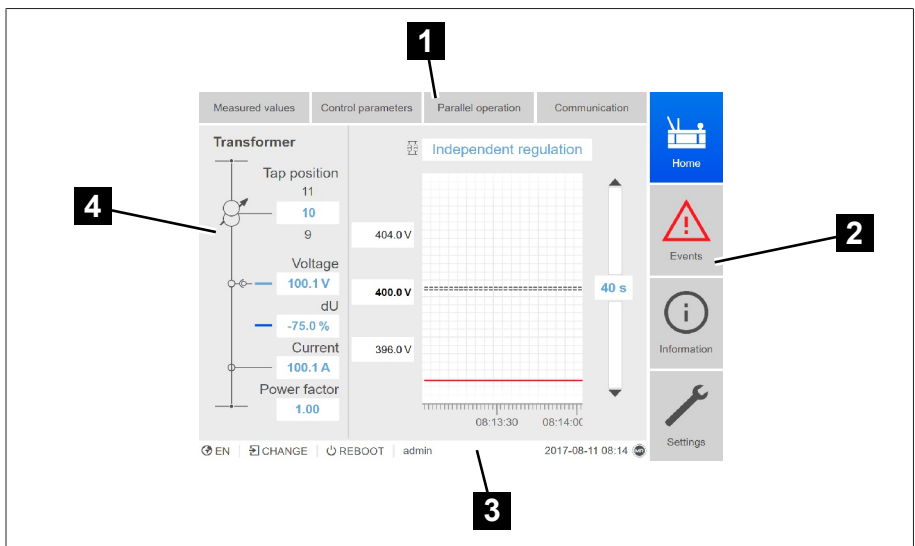


Figure 8: Home

1	Secondary navigation or navigation path	2	Primary navigation
3	Status bar	4	Display area

Measured values/display

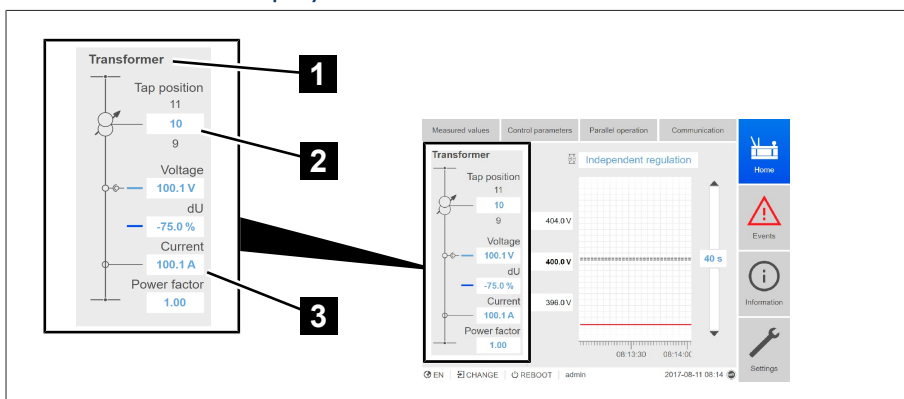


Figure 9: Measured values/display

1	Transformer name (can be edited)	2	Tap position ⁷
3	Actual measured values: Voltage, control deviation with correction, current, power factor		

Desired values/actual values/delay time

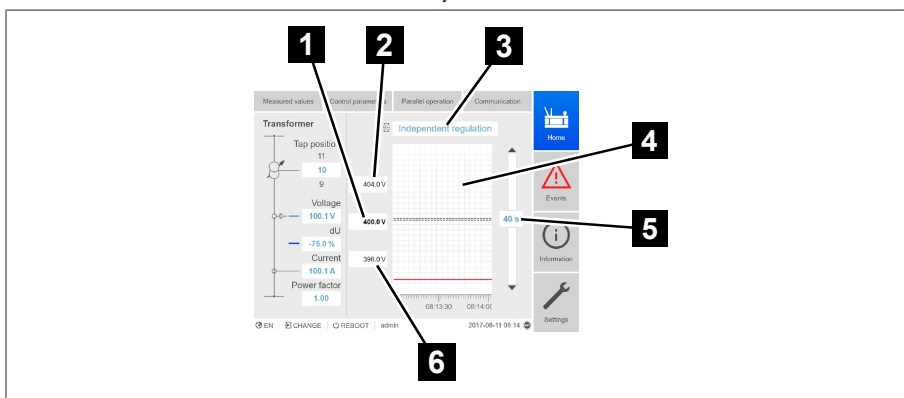


Figure 10: Desired values/actual values/delay time

1	Desired value	2	Upper limit of bandwidth
3	Mode: independent mode/Parallel operation ⁸	4	Trend of corrected voltage (correction due to compensation or parallel operation)
5	Delay time T1/T2 ⁹	6	Lower limit of bandwidth

7 Only for the TAPCON® 230 Pro, Expert and AVT variants.

8 Only for the TAPCON® 230 Pro, Expert and AVT variants.

9 Delay time T2 only for the TAPCON® 230 Basic, Pro and Expert variants.

5 Mounting

⚠ DANGER



Electric shock!

Risk of fatal injury due to electrical voltage. Always observe the following safety regulations when working in or on electrical equipment.

- > Disconnect the equipment.
- > Lock the equipment to prevent an unintentional restart.
- > Make sure all poles are de-energized.
- > Ground and short-circuit.
- > Cover or cordon off adjacent energized parts.

⚠ WARNING



Electric shock!

Dangerous high voltages may occur when a current transformer is operated with an open secondary circuit. This can lead to death, injuries and property damage.

- > Never operate a current transformer with an open secondary circuit; short-circuit the current transformer to prevent this.
- > Observe the information in the current transformer operating instructions.

NOTICE

Damage to the device!

Electrostatic discharge may cause damage to the device.

- > Take precautionary measures to prevent the build-up of electrostatic charges on work surfaces and personnel.

5.1 Preparation

The following tools are needed for mounting:

i Depending on the installation site and mounting version, you may need additional tools and corresponding attachment material, such as screws, nuts and washers which are not included in the scope of delivery.

- Depending on mounting version:
 - Electric jigsaw for flush panel mounting.
 - Drill for wall mounting (wall mounting with housing).
- Screwdriver for connecting the signal lines and supply lines.

5.2 Minimum distances

NOTICE

Damage to the device!

Insufficient circulation of ambient air can result in damage to the device due to overheating.

- > Keep the ventilation slots clear.
- > Ensure sufficient distance to neighboring components.
- > Only mount device in horizontal position (ventilation slots are at the top and bottom).

To the base of the control cabinet	Minimum clearance: 88.9 mm (3.5 in) Equivalent to 2RU
To the roof of the control cabinet	
Between the device and other assemblies on offset cap rails	

Table 2: Minimum clearances in the control cabinet

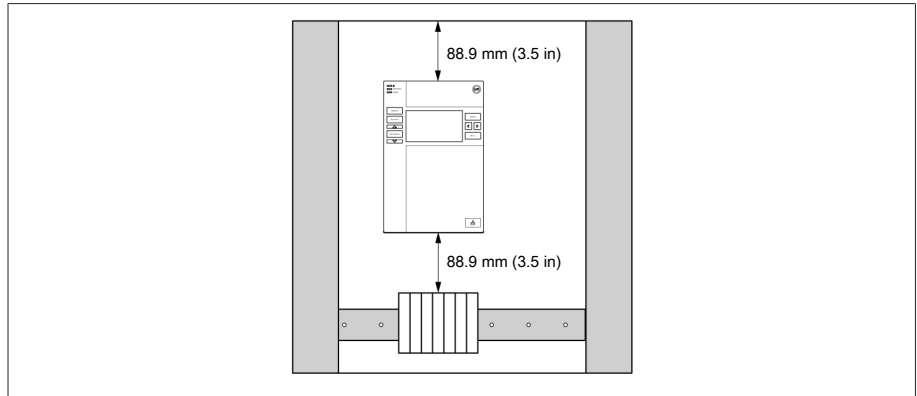


Figure 11: Minimum clearances

For other installation types, contact Maschinenfabrik Reinhausen GmbH.

5.3 Assembly variants

5.3.1 Flush panel mounting

The device can be mounted in a control panel using tension clamps. The recommended wall thickness is 2...5 mm.

Dimensions for the control panel cutout

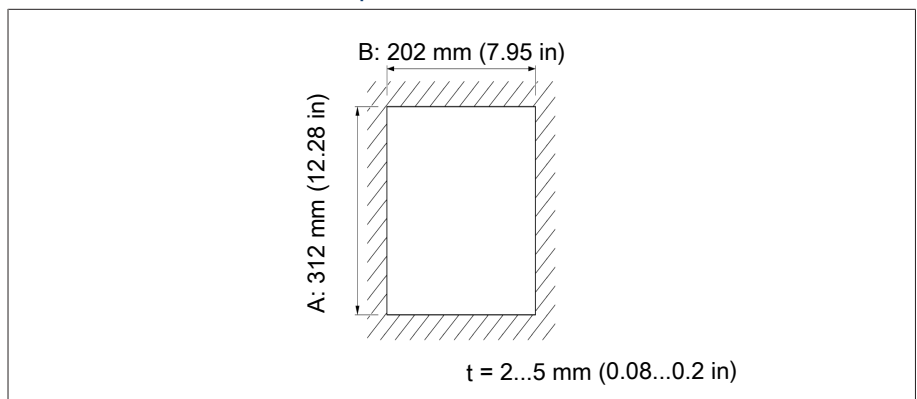


Figure 12: Dimensions for the cutout

1. Cut out the section for the control panel.

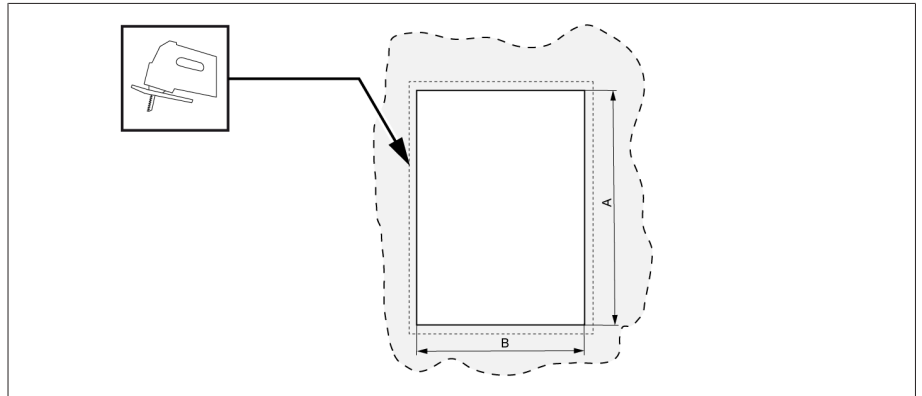


Figure 13: Cutting out the section for the control panel

2. Push the device into the cutout from the front.

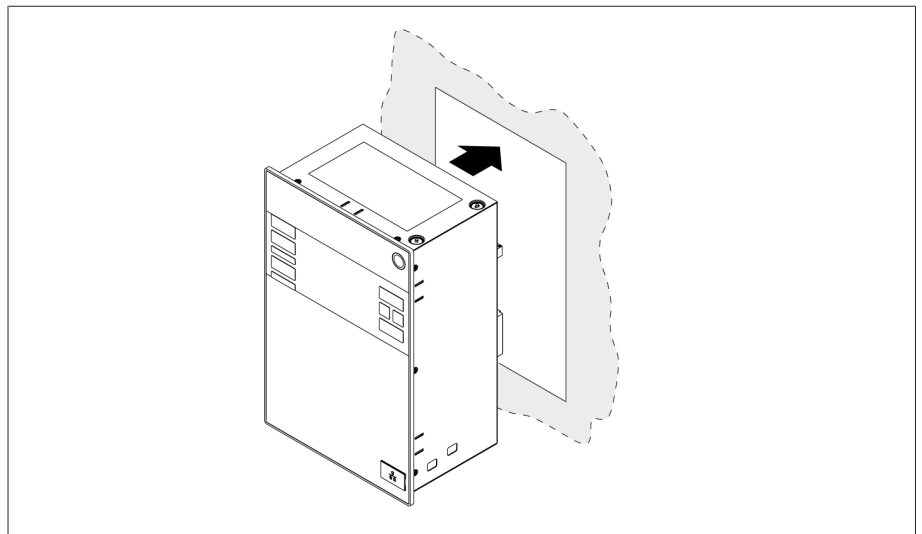


Figure 14: Pushing the device into the cutout

3. Insert the tension clamps included in the delivery.

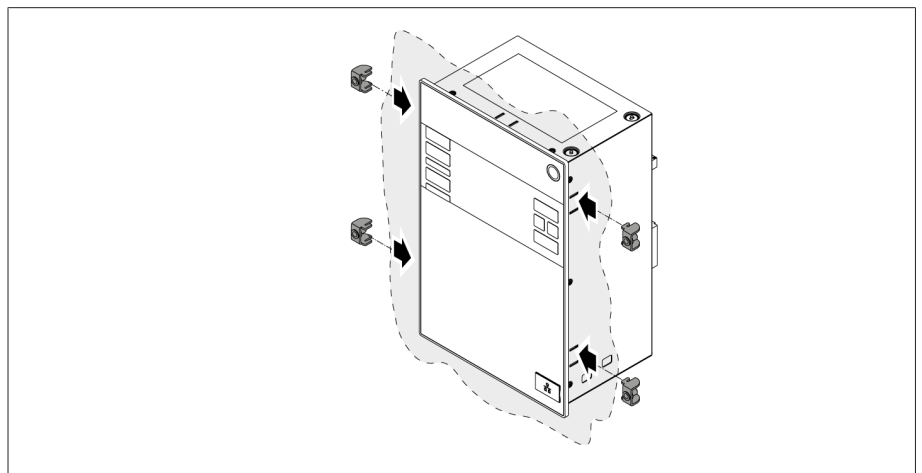


Figure 15: Inserting the device into the cutout

4. Screw the threaded pins into the tension clamps and secure the device.

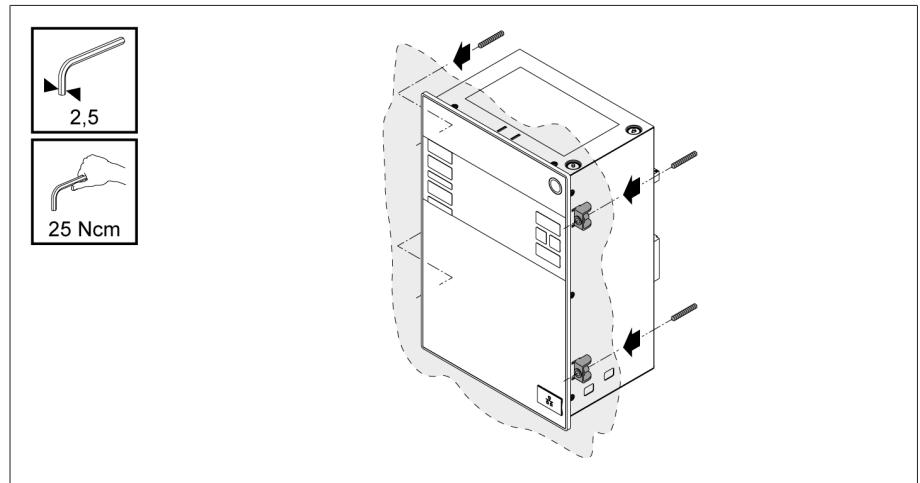


Figure 16: Securing the device

» The device is mounted and can be wired up.

5.3.2 Wall mounting with housing (optional)

For wall mounting, the device is fixed to the wall in a housing using wall brackets. Use the supplied tension clamps to install the device in the housing.

5.3.2.1 Drill holes for wall mounting

Drill 4 holes, each 6.8 mm in diameter, in the wall as shown in the drilling template below.

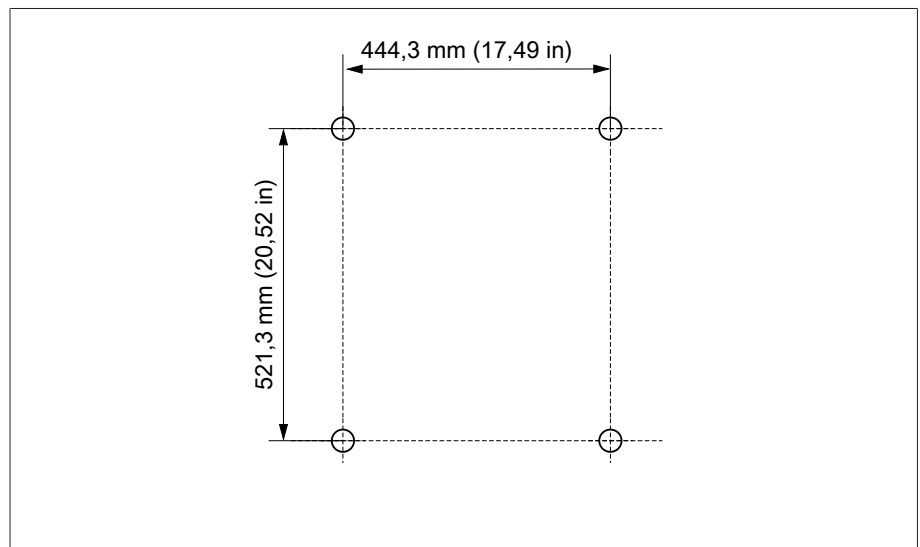


Figure 17: Drilling template for the housing

5.3.2.2 Affixing the housing to the wall



The screws for wall mounting are not included in the scope of supply. The screw length required depends on the wall thickness.

- ✓ **NOTICE!** Damage to the housing due to open door. Close the door of the housing to prevent damage during wall mounting.
- Fix the housing to the wall using 4 screws (M8).

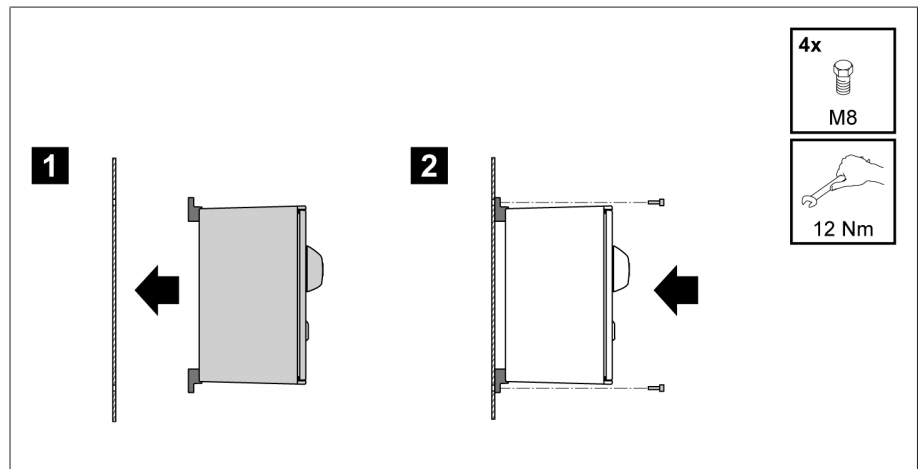


Figure 18: Wall mounting

- » The device is mounted and can be wired up.

Proceed with wiring as shown in the connection diagram and as described in the "Connecting device" section.

5.3.2.3 Installing the device in the housing

- ✓ Open the housing swing frame.
- 1. Push the device into the housing swing frame from the front.

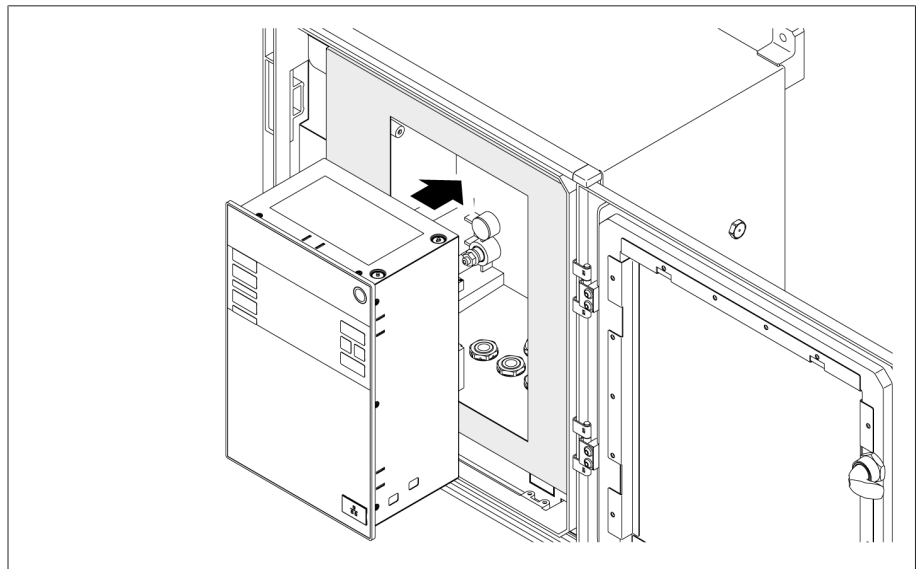


Figure 19: Pushing the device into the swing frame

2. Insert the tension clamps included in the delivery.

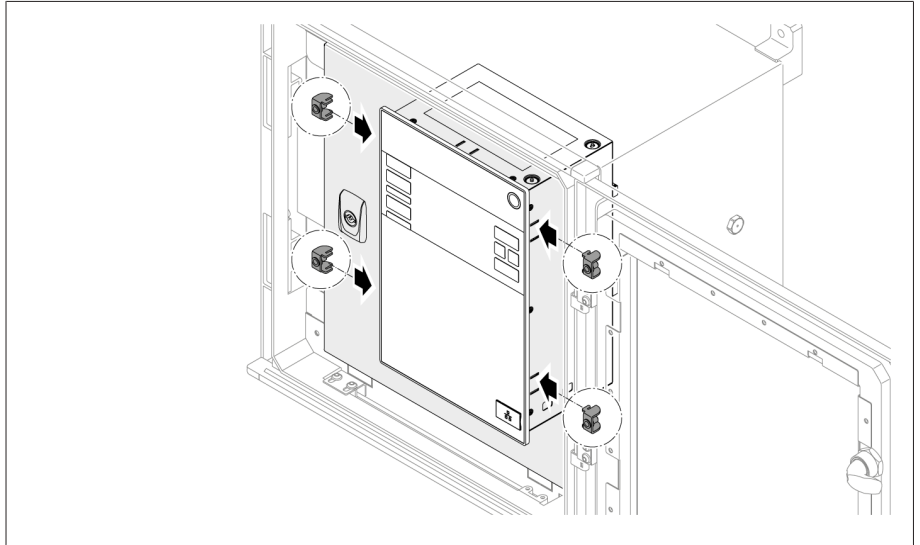


Figure 20: Inserting the device into the cutout

3. Screw the threaded pins into the hole in the tension clamp and secure the device.

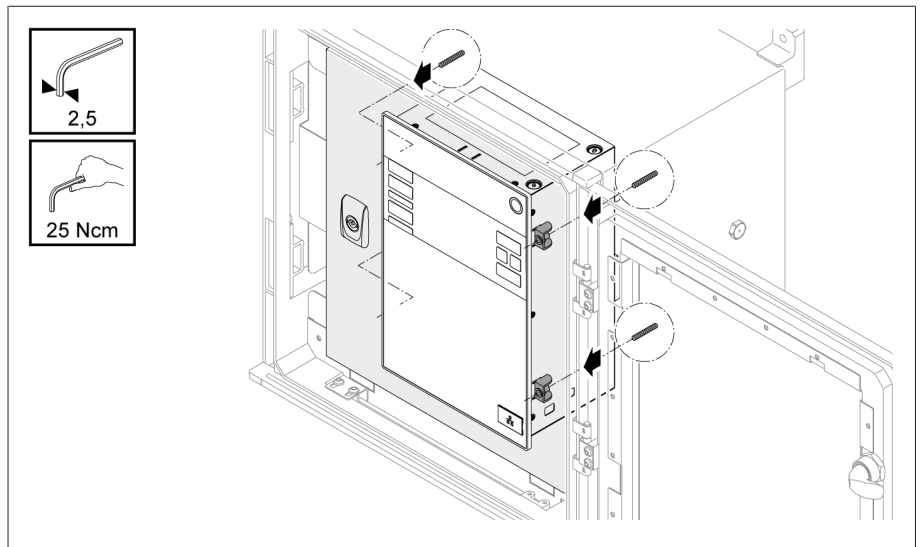


Figure 21: Securing the device

» The device is mounted and can be wired up.

5.4 Connecting device

⚠ WARNING



Electric shock!

Connection errors can lead to death, injury or property damage.

- > Ground the device with a protective conductor using the grounding screw on the housing.
- > Note the phase difference of the secondary terminals for the current transformer and voltage transformer.
- > Connect the output relays correctly to the motor-drive unit.



Supply the voltage via separators and ensure that current paths can be short-circuited. Fit the separator, clearly labeled and freely accessible, close to the device's power supply. This ensures that the device can be replaced with ease in the event of a defect.

Wiring information

- To obtain a better overview when connecting cables, only use as many cables as necessary.
 - Observe the connection diagram [▶ Section 8.14, Page 59].
 - Only use the specified cables for wiring. Note the cable recommendation [▶ Section 5.4.1, Page 27].
 - **NOTICE!** Damage to the terminals! Tightening the screws too tightly can damage the screw terminals. When fastening the screw terminals, make sure that the tightening torque is 0.4 Nm.
 - Wire the leads to the system periphery.
 - For wall mounting with housing (optional):
 - When wiring the device, use the cable glands below the housing if necessary.
 - **NOTICE!** Damage to the device! If any cable glands remain open, the IP degree of protection cannot be assured. Close off unused cable glands using dummy plugs.
1. Disconnect the connectors required.
 2. Strip insulation from cables and wires.
 3. Crimp stranded wires with wire end sleeves.
 4. Guide leads into corresponding connector terminals.
 5. Fasten screws for the corresponding terminals using a screwdriver.
 6. Plug connectors into the correct slots.
 7. Equip the cable harnesses with strain relief.

5.4.1 Cable recommendation

Please note the following Maschinenfabrik Reinhausen recommendation when wiring the device.



Excessive line capacitance can prevent the relay contacts from interrupting the contact current. In control circuits operated with alternating current, take into account the effect of the line capacitance of long control cables on the function of the relay contacts. If you want to route Ethernet connections from a control cabinet or building, we recommend using fiber-optic cables (in accordance with the IEC 61850-90-4 recommendation).

Cable	Interface	Cable type	Conductor cross-section	Max. length
Power supply (external)	X9	Unshielded	1.5 mm ²	-
Voltage measurement	UI-X7	Shielded	2.5 mm ²	-
Current measurement	UI-X7	Unshielded	2.5 mm ²	-
Digital signal inputs	DI 16	Shielded	1.5 mm ²	400 m (<25 Ω/km)
Digital signal outputs ¹⁰	DO 8	Shielded	1.5 mm ²	-
Analog signal inputs	AI 4	Shielded	1 mm ²	400 m (<25 Ω/km)
RS232, D-SUB 9-pole	COM X3	Shielded	0.25 mm ²	25 m
RS485	COM-X6	Shielded	0.25 mm ²	140 m
CAN bus	COM-X6	Shielded	0.75 mm ²	2,000 m (total CAN bus)
Ethernet RJ45	X2, X3	Min. CAT5, shielded S/FTP	-	100 m
Ethernet FO	COM X4	Duplex LC multimode, Om3, 1,310 nm	-	2,000 m
110 V DC output	X8	Unshielded	1.5 mm ²	-
RJ45 patch cables	-	Min. CAT5, shielded S/FTP	-	approx. 30 cm

Table 3: Recommendation for connection cables

5.4.2 Electromagnetic compatibility

The device has been developed in accordance with applicable EMC standards. The following points must be noted in order to maintain the EMC standards.

5.4.2.1 Wiring requirement of installation site

Note the following when selecting the installation site:

- The system's overvoltage protection must be effective.
- The system's ground connection must comply with all technical regulations.
- Separate system parts must be joined by a potential equalization.
- The device and its wiring must be at least 10 m away from circuit-breakers, load disconnectors and busbars.

5.4.2.2 Wiring requirement of operating site

Note the following when wiring the operating site:

- Route the connecting leads in grounded metal cable ducts.
- Do not route lines which cause interference (e.g. power lines) and lines susceptible to interference (e.g. signal lines) in the same cable duct.
- Maintain a distance of more than 100 mm between lines which cause interference and those which are susceptible to interference.

¹⁰ Observe line capacitance, see note above.

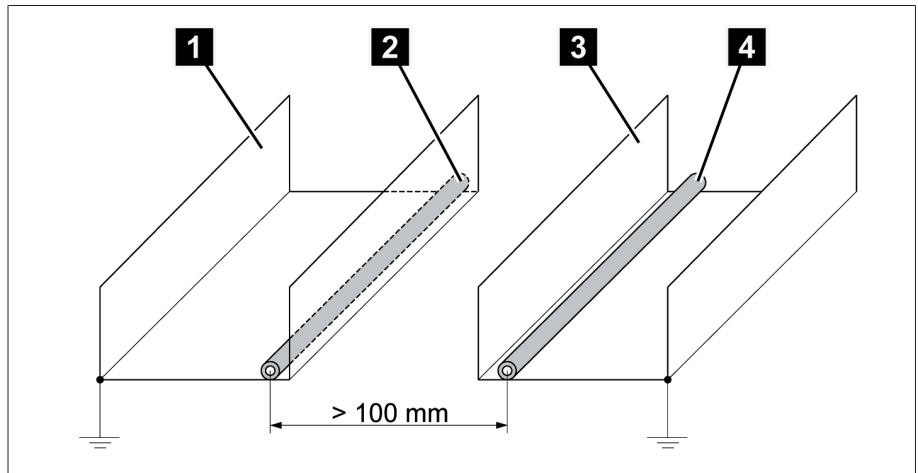


Figure 22: Recommended wiring

1	Cable duct for lines causing interference	3	Cable duct for lines susceptible to interference
2	Line causing interference (e.g. power line)	4	Line susceptible to interference (e.g. signal line)

- Short-circuit and ground reserve lines.
- Never connect the device with a multi-wire collective pipe.
- For signal transmission, use shielded lines with individual conductors (outgoing conductor / return conductor) twisted in pairs.
- Connect full surface of shielding (360°) to device or to a nearby grounding bar.



Using single conductors may limit the effectiveness of the shielding. Connect close-fitting shielding to cover all areas.

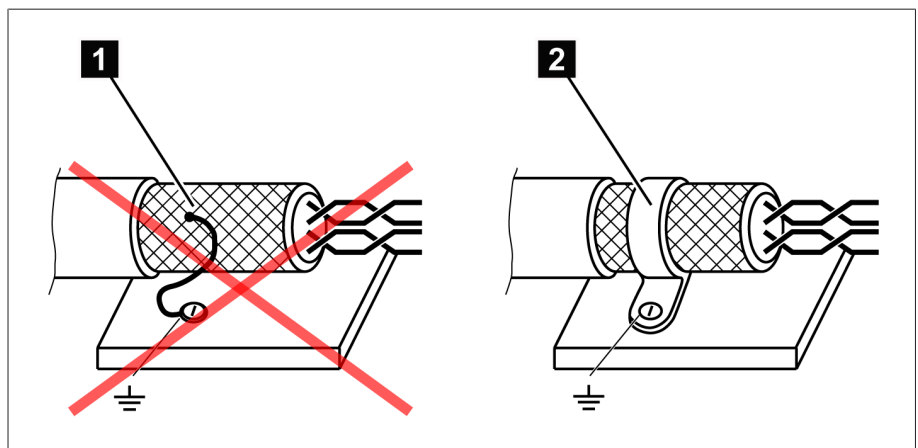


Figure 23: Recommended connection of the shielding

1	Connection of the shielding via a single conductor	2	Full-surface connection of the shielding
---	--	---	--

5.4.2.3 Wiring requirement in control cabinet

Note the following when wiring in the control cabinet:

- The control cabinet where the device will be installed must be prepared in accordance with EMC requirements:
 - Functional division of the control cabinet (physical separation)
 - Constant potential equalization (all metal parts are joined)

- Line routing in accordance with EMC requirements (separation of lines which cause interference and those susceptible to interference)
- Optimum shielding (metal housing)
- Overvoltage protection (lightning protection)
- Collective grounding (main grounding rail)
- Cable bushings in accordance with EMC requirements
- Any contactor coils present must be interconnected
- The device's connection cables must be laid in close contact with the grounded metal housing or in metal cable ducts with a ground connection.
- Signal lines and power lines/switching lines must be laid in separate cable ducts.
- The device must be grounded [▶ Section 5.4.12.2, Page 39] at the screw provided for this using a grounding cable.

5.4.3 Connecting cables to the system periphery

- To obtain a better overview when connecting cables, only use as many leads as necessary.

To connect cables to the system periphery, proceed as follows:

- ✓ Only use the specified cables for wiring. Note the cable recommendation [▶ Section 5.4.1, Page 27].
- Connect the lines to be wired to the device to the system periphery as shown in the connection diagrams supplied.

5.4.4 Connecting the CAN bus

- Only available for the TAPCON® 230 Pro, Expert and AVT variants.

5.4.4.1 Shielding the CAN bus

In order for the CAN bus to operate faultlessly, you have to connect the shielding using one of the following variants. If you are not able to use any of the variants detailed below, we recommend using fiber-optic cables. Fiber-optic cables decouple the devices and are not sensitive to electromagnetic interference (surge and burst).

NOTICE

Damage to the device!

If you connect the CAN bus cable to devices with different potentials, current may flow across the shielding. This current may damage the device.

- Connect the devices to a potential equalization rail to equalize the potential.
- If both devices have different potentials, only connect the CAN bus cable shielding to one device.

Variant 1: The connected devices share the same potential

1. Connect all devices to a potential equalization rail to equalize the potential.
2. Connect the CAN bus cable shielding to all connected devices.

Variation 2: The connected devices have different potential levels

Note that the shielding is less effective with this variant.

- ✓ Connect the CAN bus cable shielding to **just one** device.
- ✓ Connect the wires of the shielded CAN bus cable in pins 10 (CAN H), 9 (CAN GND) and 8 (CAN L) of the COM-X6 connector.

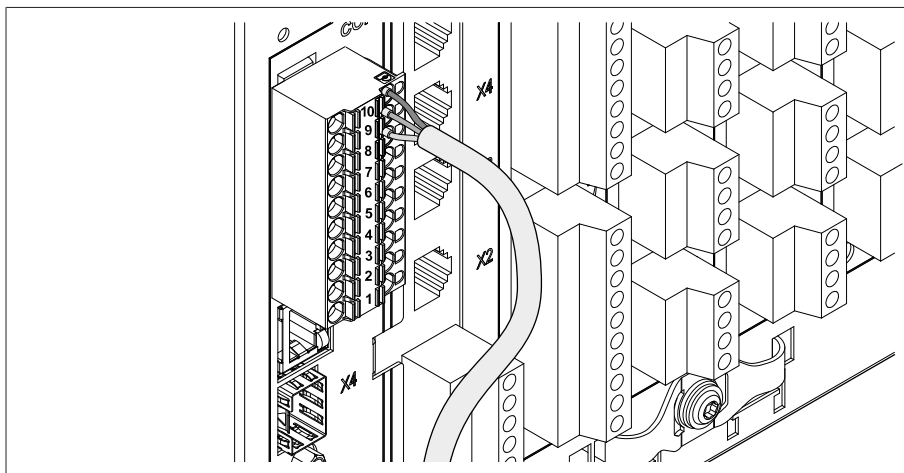


Figure 24: Connecting wires in pins 10, 9, 8

- Position the cable shielding; screw into place using the shield clamp provided and provide strain relief (using a cable tie).

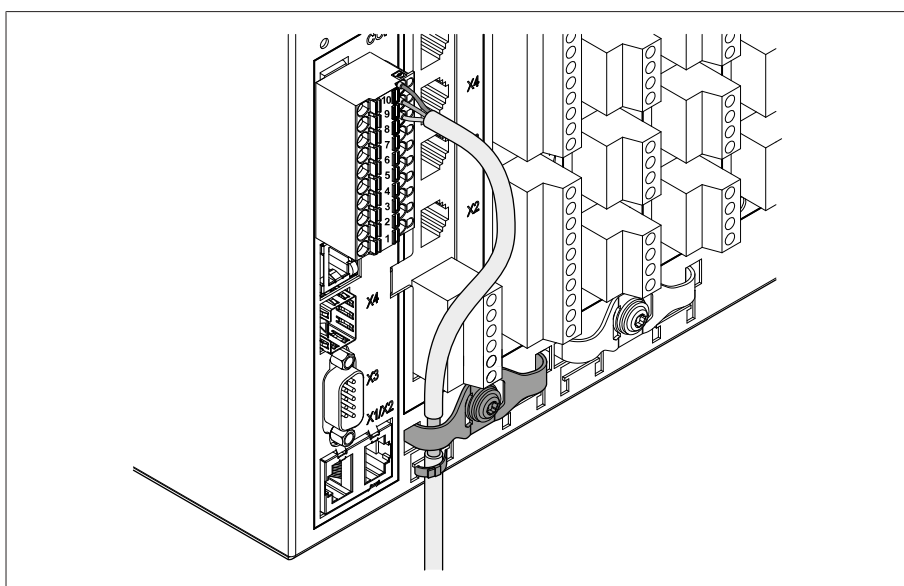


Figure 25: Shield clamp and strain relief

5.4.4.2 Mounting terminating resistor of CAN bus

If you want to operate the device in parallel operation, you need to mount a $120\ \Omega$ terminating resistor at both ends of the CAN bus.

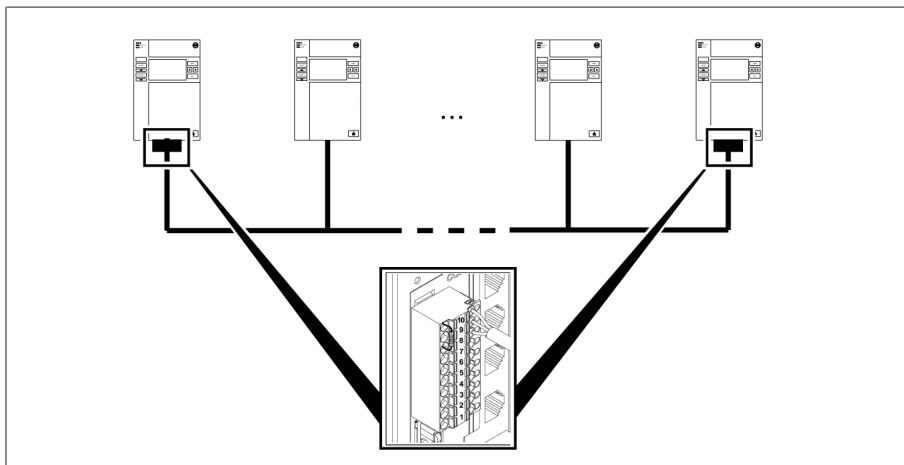


Figure 26: Terminating resistor of the CAN bus

- Mount terminal resistors in pins 10, 9 and 8 of the COM-X6 connector.

5.4.5 Connecting SCADA



Only available for the TAPCON® 230 Expert and AVT variants.

NOTICE

Damage to the device!

Using the wrong data cable may damage the device.

- Only use data cables which comply with the description below.

Depending on the control system used, you have to connect the device with one of the following versions.

5.4.5.1 Serial interface RS485 (COM-X6)

If you want to use the RS485 serial interface, you need to mount a $120\ \Omega$ terminating resistor at both ends of the RS485 bus.

1. Connect the wires of the shielded cable in pins 7 (Data +), 6 (GND) and 5 (Data-) of the COM-X6 connector.

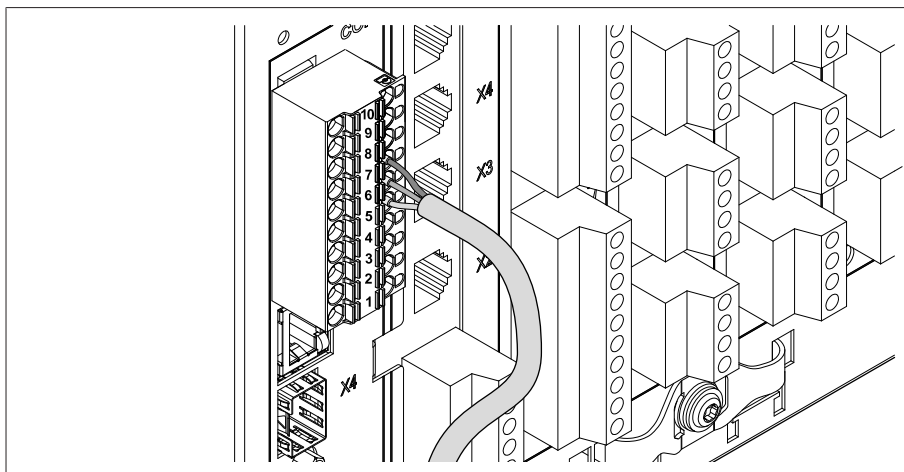


Figure 27: Connecting wires in pins 7, 6, 5

2. Position the cable shielding, screw it into the shield clamp provided, and provide strain relief (using a cable tie).

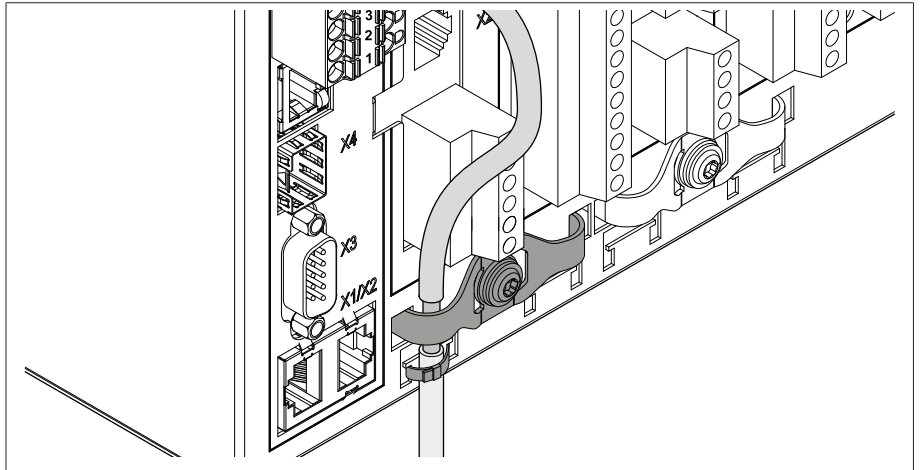


Figure 28: Shield clamp and strain relief

3. Connect the COM-X1 RJ45 interface and the CPU-X4 interface together using the patch cable.

5.4.5.2 Serial RS232 (D-SUB 9-pole) interface

Data cable

To connect the device via the RS232 interface, use a data cable with the following structure:

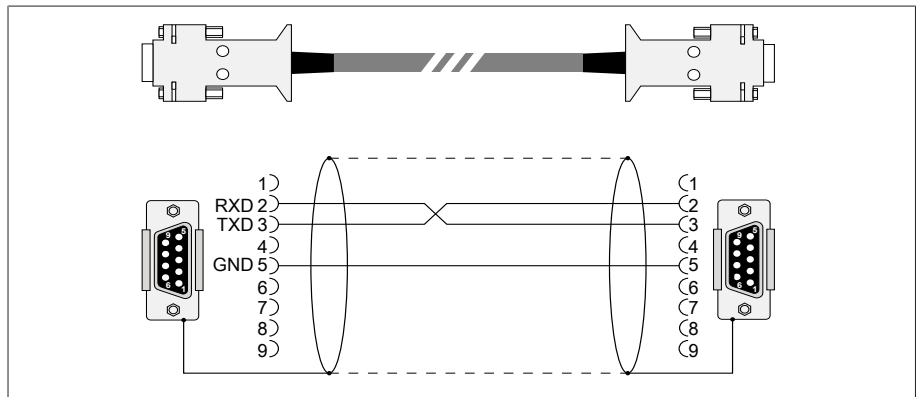


Figure 29: RS232 data cable (9-pole)

D-SUB 9-pole plug connection

Only use 9-pole D-SUB plugs with the following characteristics:

- Plug housing is metallic or metal-plated
- Cable shielding is connected with the plug using one of the following two variants:
 - Shielding is screwed down with traction relief.
 - Shielding is soldered to the plug housing.

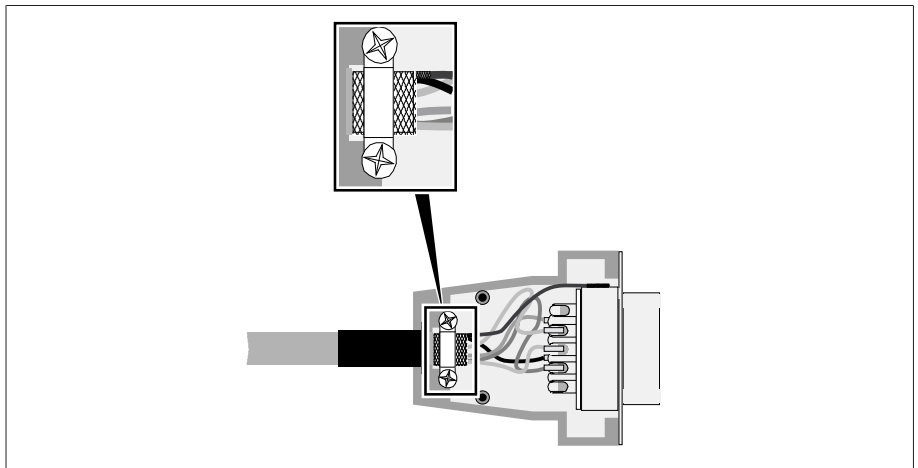


Figure 30: Example of a soldered shielding on a plug housing

Connection

1. Connect the D-SUB 9-pole connector to the COM-X3 interface.
2. Connect the COM-X1 RJ45 interface to the CPU-X5 interface using the supplied patch cable.

5.4.5.3 Fiber-optic cable

To ensure error-free data transmission, observe the information from the manufacturer of the fiber-optic cable and the following instructions:

- Radii must not fall below the minimum permissible bend radii (do not bend fiber-optic cable).
- The fiber-optic cables must not be over-stretched or crushed. Observe the permissible load values.
- The fiber-optic cables must not be twisted.
- Be aware of sharp edges because they can damage the fiber-optic cable's coating during laying or can place mechanical loads on the coating later on.
- Provide a sufficient cable reserve near distributor cabinets. Lay the reserve such that the fiber-optic cable is neither bent nor twisted when tightened.

Fiber-optic cable, 1,310 nm Multimode

1. Slide the SFP module into the COM-X4 interface **1** and fold down the clasp **2**.

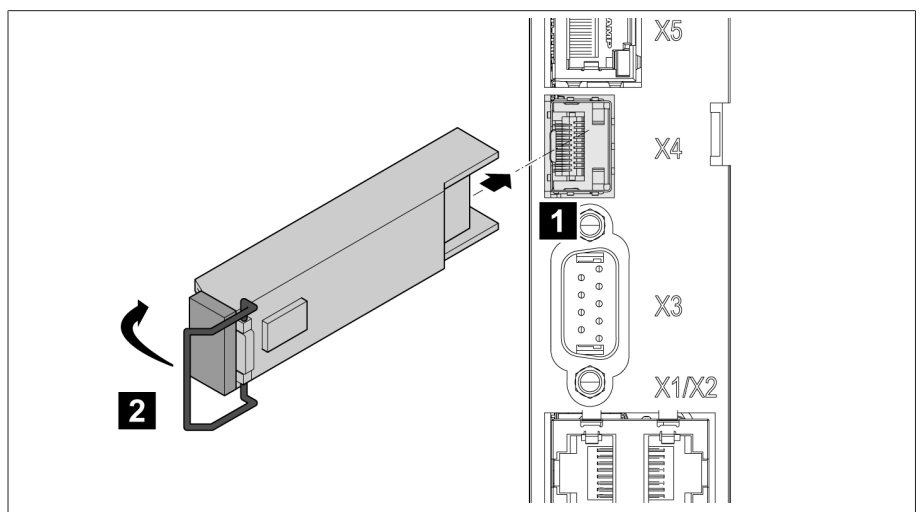


Figure 31: Engaging the SFP module

2. Remove the SFP module dust plug.

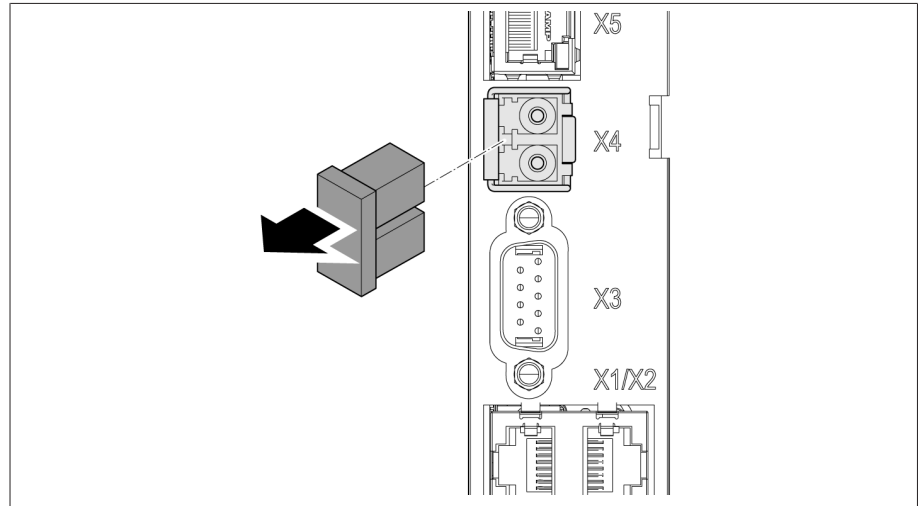


Figure 32: Remove the dust protection

3. Insert the fiber-optic cable with LC duplex into the SFP module COM-X4 interface.

4. Connect the COM-X5 to the CPU-X2 using the supplied patch cable.

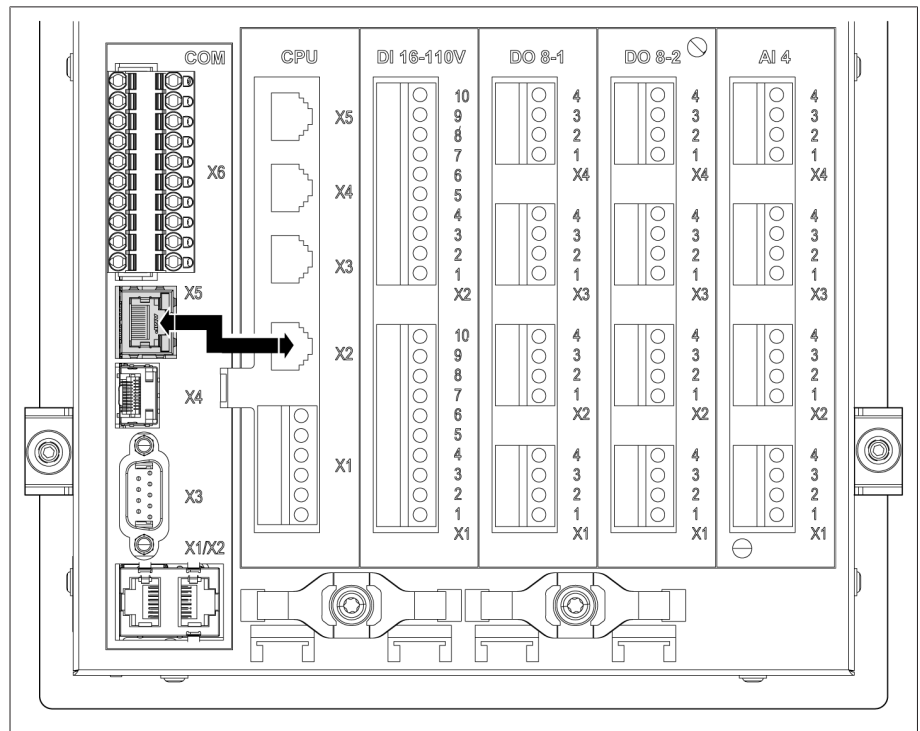


Figure 33: Connecting CPU-X5 and COM-X2

Serial fiber-optic cable

You will need the CM-0847 FO converter if you want to connect your control system via the serial fiber-optic cable.

> Connect the serial fiber-optic cable and the converter to the CPU-X5 interface.

5.4.5.4 Ethernet interface

> Connect the Ethernet cable (RJ45 connector) to the COM-X3 interface.

5.4.6 Wiring voltage measurement/current measurement UI

You must fuse the voltage measurement circuit in accordance with the conductor cross section used. You can use the following fuse types:

	Miniature circuit breaker	Safety fuse
Standard	IEC 60947-2	IEC 60269
Rated voltage	400 V (L-L) or 230 V (L-N)	
Rated current	30 mA...16 A	
Characteristics	B, C, K or Z	Fast-acting, medium-acting or delayed-acting
Rated switching capacity	50 kA For installation in accordance with IEC 61010-2-30 CAT II: 10 kA	

Table 4: Permissible fuse types

1. Voltage measurement: Feed the wires into the terminals UI:X7-4 (N conductor) and UI:X7-3 (L conductor) and fasten them using a screwdriver.

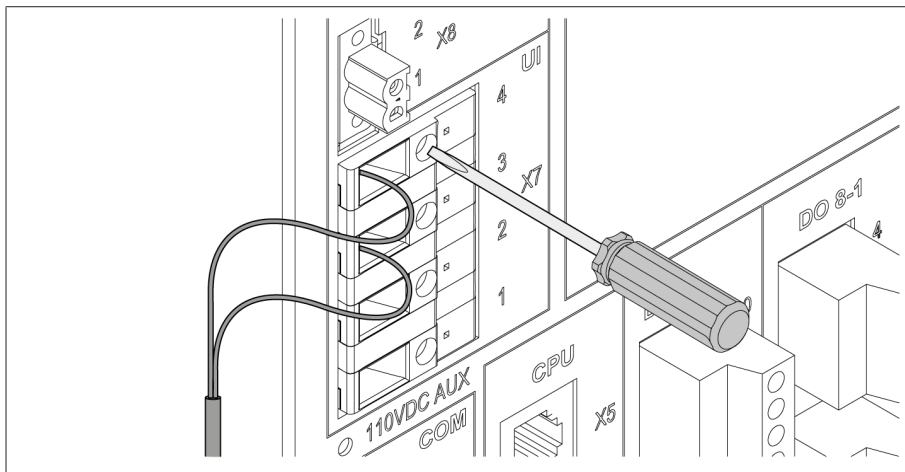


Figure 34: UI:X7-4/3

2. Current measurement: Feed the wires into the terminals UI:X7-2 (I) and UI:X7-1 (k) and fasten them using a screwdriver.

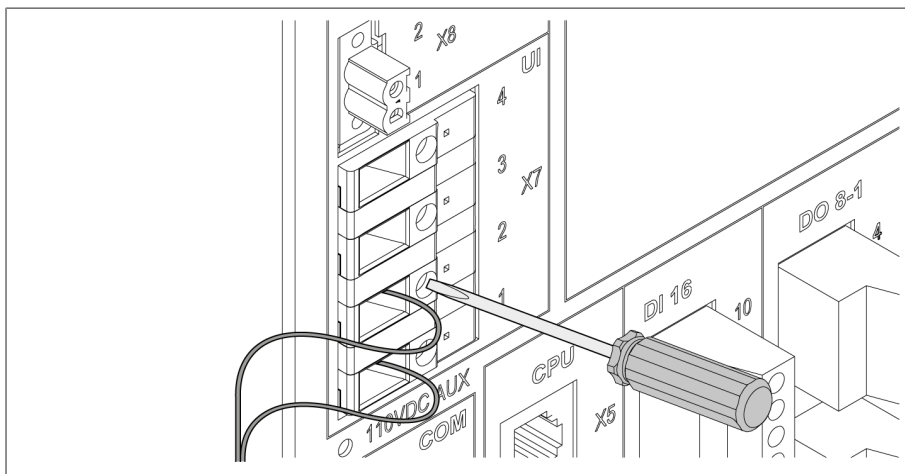


Figure 35: UI:X7-2/1

5.4.7 Wiring analog inputs AI

NOTICE

Damage to the device and sensors!

Incorrectly connected and configured analog inputs/outputs may result in damage to the device and sensor.

- > Follow information about connecting analog sensors.
- > Configure analog inputs and outputs according to the connected sensors.

You can connect the following types of analog sensors:

- 0/4...20 mA
- 0 to 10 V
- PT100/PT1000 (2-wire, 3-wire, 4-wire) indirectly via measuring transducer

In order to correctly record the analog signals, you must place the cable shielding on the grounding bar. The cable shielding should only be removed just prior to connecting to ensure that the section with unshielded cables is kept as short as possible. The shielding must be connected with shielding clips.

Block diagram and wiring versions

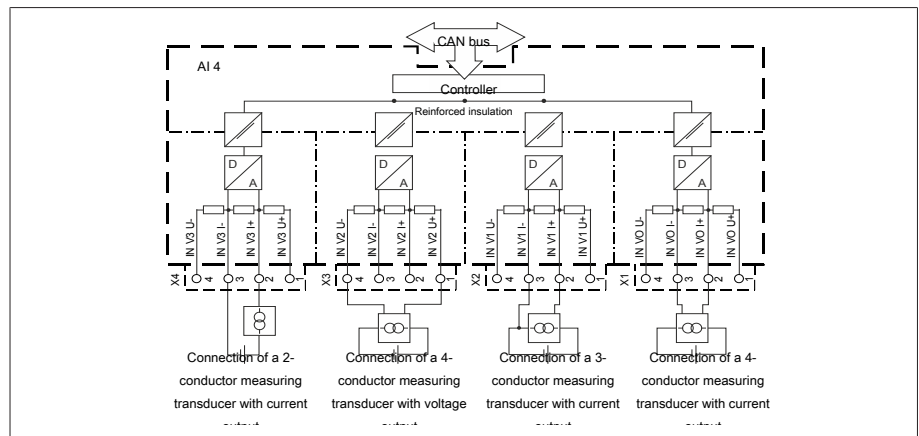


Figure 36: Block diagram for analog inputs

1. Lead the wires into the connector and fasten them using a screwdriver.
2. Insert the plug into the respective slot in accordance with the connection diagram [► Section 8.14, Page 59] and screw into place.

5.4.8 Wiring DI 16-110 V digital inputs

If the device has DI 16-110 V connections, these have to be supplied with an auxiliary voltage of 110 V DC.

- Check which version you have by looking at the connection terminal designation on the rear of the device.

1. Feed the wires into the terminal of the DI 16-110V plug in accordance with the connection diagram [► Section 8.14, Page 59] and fasten them using a screwdriver.
2. Plug the connector into the respective slot and screw it into place.

Auxiliary power supply for digital inputs

1. Feed the wires into the terminals X8:2 and X8:1 of the X8 plug in accordance with the connection diagram [► Section 8.14, Page 59] and fasten them using a screwdriver.
2. Plug the connector into the respective slot and screw it into place.

5.4.9 Wiring DI 16-220 V digital inputs

If the device has DI 16-220 V connections, proceed as follows:

- Check which version you have by looking at the connection terminal designation on the rear of the device.

1. Feed the wires into the terminal of the DI 16-220 V plug in accordance with the connection diagram [► Section 8.14, Page 59] and fasten them using a screwdriver.
2. Plug the connector into the respective slot and screw it into place.

5.4.10 Wiring digital outputs DO

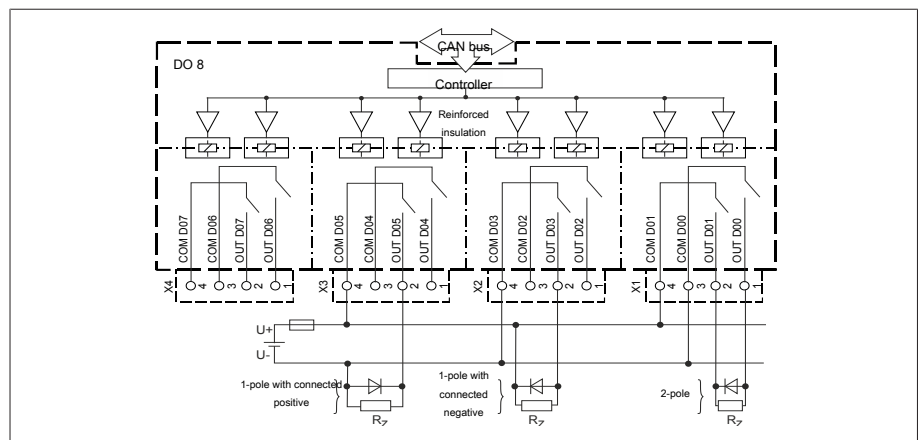


Figure 37: Block diagram for digital outputs

1. Feed the wires into the terminal of the plug connection diagram and fasten them using a screwdriver.
2. Plug the connector into the respective slot and screw it into place.

5.4.11 Wiring resistor contact series

Connect the resistor contact series to the COM X6 and AI 4 interfaces in accordance with the connection diagram [► Section 8.14, Page 59].

5.4.12 Power supply and grounding

5.4.12.1 Connecting the power supply

You may only connect the device to circuits with an external overcurrent protective device and an all-pole isolating device, allowing the equipment to be fully de-energized if required (service, maintenance etc.).

Suitable equipment includes isolating devices in accordance with IEC 60947-1 and IEC 60947-3 (e.g. circuit breakers). Observe the properties of the relevant circuits (voltage, maximum currents) when selecting the circuit breaker type. In addition, observe the following:

- It must be easy for the operator to access the isolating device
- The isolating device must be labeled for the device and the circuits to be isolated
- The isolating device may not be a part of the power line
- The isolating device may not interrupt the main protective conductor

Miniature circuit breaker You must fuse the power supply circuit with a miniature circuit breaker. The miniature circuit breaker must have the following properties:

- Rated current: 6...10 A
- Triggering characteristic: C, K or Z

Conductor cross-section For the power supply circuit, use a conductor cross-section suitable for the miniature circuit breaker that you have selected, but at least 1.5 mm² (AWG 15).

Connecting the power supply

- > Connect the power supply in accordance with the connection diagram [▶ Section 8.14, Page 59] and ground the device.

5.4.12.2 Connecting to ground

1. Remove the nut and washer from the grounding screw.
2. Attach the grounding cable and the power supply cable grounding wire to the grounding screw of the device and secure them using the nut and washer.

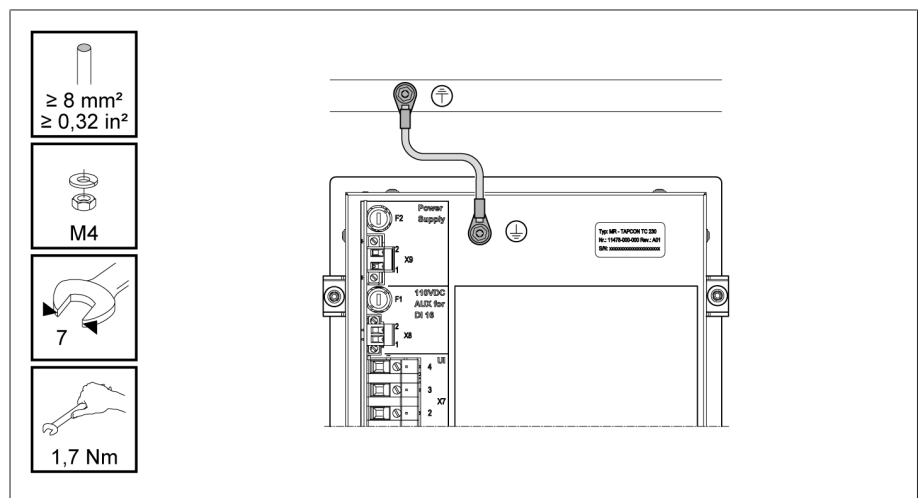


Figure 38: Grounding cable connection

5.4.12.3 Connecting the device grounding to the housing (optional)

If you have installed the device in a housing, ground the device as follows:

✓ The swing frame is open.

1. Guide a grounding cable through a cable gland.
2. Loosen the grounding screw on the housing and connect the grounding cable to the neutral point provided in the housing.

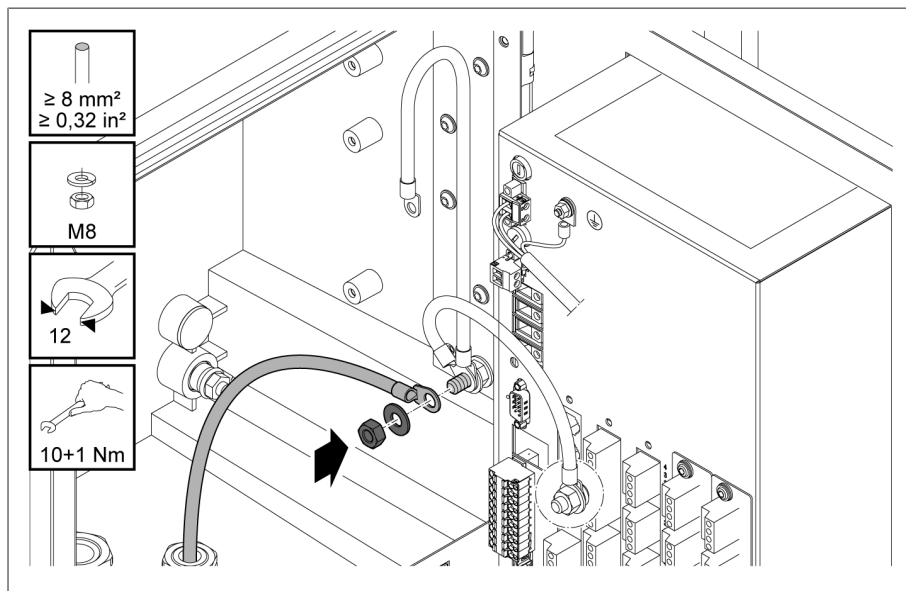


Figure 39: Grounding the housing

3. Affix the housing grounding cable to the device grounding screw. If necessary, affix the grounding cable protective conductor to the grounding screw as well.

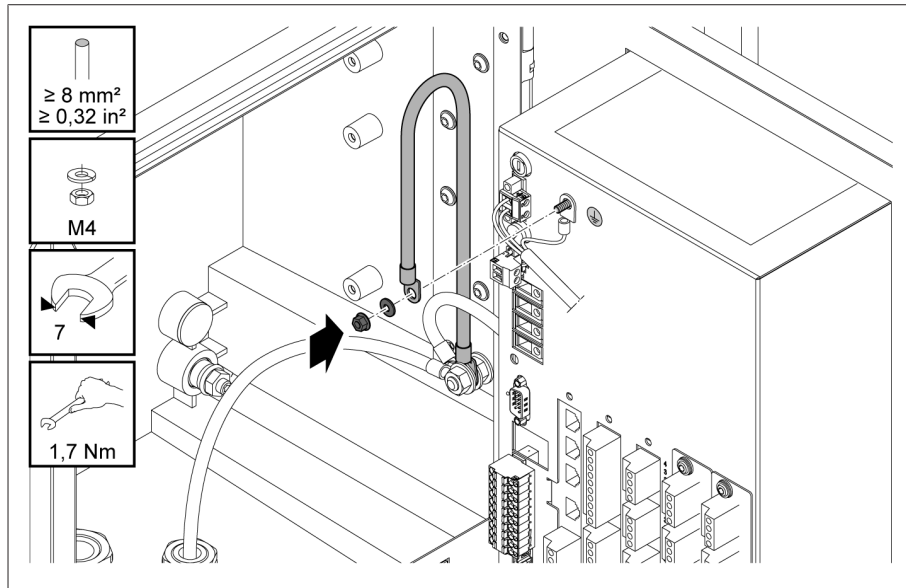


Figure 40: Affixing the housing grounding cable and protective conductor to the device

5.5 Performing tests

NOTICE

Damage to device and system periphery!

An incorrectly connected device can cause damage to the device and system periphery.

- > Check the entire configuration before commissioning.
- > Prior to commissioning, check the supply voltage and the measured voltage.

- > Connecting the device to mains.
 - » The display shows the MR logo and then the operating screen.
 - » The *voltage display* LED on the top left of the device's front panel lights up.

6 Initial steps

NOTICE

Damage to device and system periphery!

An incorrectly connected device can cause damage to the device and system periphery.

- > Check the entire configuration before commissioning.

As soon as the device has powered up and the start screen is displayed, you will be asked to make the following settings.

6.1 Establishing connection to visualization

A connection to the visualization can be established using two interfaces:

- Front interface (for local access)
- Optional: Interface X3 on the rear of the device (for access via remote display, control center etc.)

System requirements

To access the web-based visualization, you need a PC with an HTML5-capable browser. The display is optimized for the following browsers:

- Microsoft Edge
- Google Chrome™

Establishing a connection via front interface

1. Remove the interface cover on the front of the device.
2. Connect the COM-X2 to the CPU-X3 using the supplied patch cable.

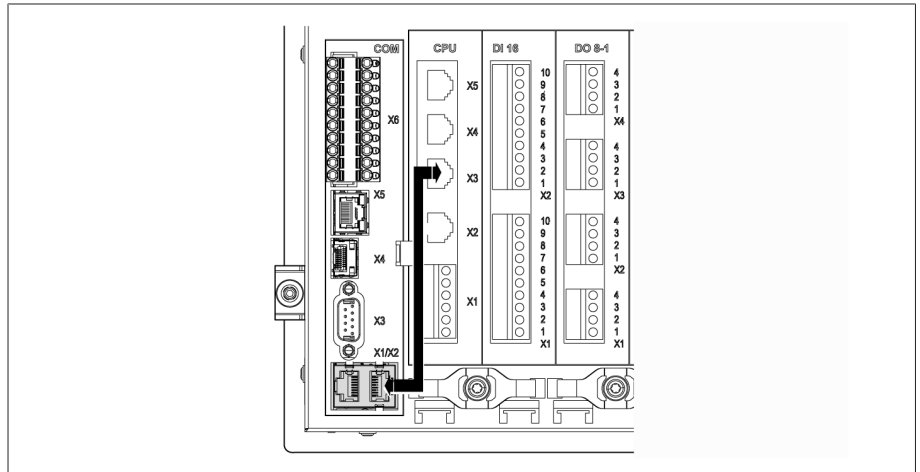


Figure 41: Patch cable on the rear

3. Connect the PC and the device via the front interface using an Ethernet cable (RJ45 plug).

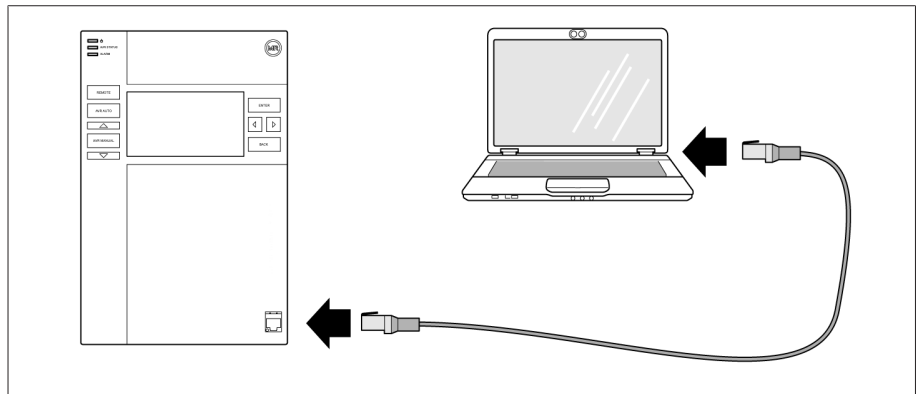


Figure 42: Establishing a connection via the front interface

4. Assign a unique IP address to the PC in the same subnet as the device (e.g. 192.168.165.100).
5. Enter the visualization's IP address `http://192.168.165.1`, or if SSL encryption is active, enter `https://192.168.165.1` in the browser on the PC.
 - » The visualization is accessed.


Establishing a connection via the rear CPU-X3 interface

1. Connect the PC and device via the rear CPU-X3 interface using the preassembled patch cable.
2. Go to **Communication** on the device to display the device's IP address.
3. Assign a unique IP address to the PC in the same subnet as the device (e.g. 192.0.1.100).
4. Enter the visualization's IP address (e.g. `http://192.0.1.230`; if SSL encryption is active enter `https://192.0.1.230`) in the browser on the PC.
 - » The visualization is accessed.

6.2 Setting the language

English	Italian
German	Portuguese
French	Russian
Spanish	Chinese
Korean	Polish

Table 5: Available display languages

1. Press the  EN button in the status bar.
2. Select the desired language from the list field.
3. Press the Accept button to adopt the parameter.
 - » The "Restart device" dialog is displayed.
4. Restart the device to apply the changed language setting.

6.3 Downloading the operating instructions

Download the operating instructions from the device to start device commissioning and parameterization.

> Select  in the status line.

» The operating instructions will be downloaded.

The document is also available for download in the MR Customer Portal and on our website www.reinhausen.com.

7 Fault elimination

7.1 General faults

Characteristics/details	Cause	Remedy
No function – Power supply LED does not light up	No power supply.	Check the power supply.
	Fuse tripped.	Contact Maschinenfabrik Reinhausen GmbH.
No function – AVR STATUS LED does not light up	Configuration error	Contact Maschinenfabrik Reinhausen GmbH.
Relay chatter	High EMC load.	Use shielded cables or external filters.
	Poor grounding.	Check the functional ground.

Table 6: General faults

7.2 Human-machine interface

Characteristics/details	Cause	Remedy
Display – No display.	Power supply interrupted.	Check the power supply.
	Fuse faulty.	Contact Maschinenfabrik Reinhausen.
Connection cannot be established with visualization	Connection cable defective.	Check connection cable.
	SSL encryption active.	Accept SSL certificate in browser.
		Call up IP address using <code>https://</code> .
		Deactivate SSL encryption.
PC not in same subnet as visualization.	Check the setting of IP addresses of the device and PC and correct if necessary.	
Incorrect display of visualization in the web browser.	Access to the visualization using a web browser after a software update.	Delete the web browser's cache.

Table 7: Human-machine interface

7.3 Other faults

If you cannot resolve a problem, please contact Maschinenfabrik Reinhausen. Please have the following data ready:

- Serial number
- Nameplate
- Software version

Please provide answers to the following questions:

- Has the software been updated?
- Has there previously been a problem with this device?
- Have you previously contacted Maschinenfabrik Reinhausen about this issue? If yes, then who was the contact?

Technical Service

Maschinenfabrik Reinhausen GmbH
Technical Service
Postfach 12 03 60
93025 Regensburg
Germany
Phone: +49 94140 90-0
Email: service@reinhausen.com
Internet: www.reinhausen.com

You will find an overview of the services available for the product in the customer portal: <https://portal.reinhausen.com>

8 Technical data

8.1 Display elements

Display	5" TFT colour display
LEDs	3 LEDs for operation display and messages - POWER, AVR STATUS, ALARM - RAISE, LOWER, AUTO, MANUAL, REMOTE

8.2 Materials

TAPCON® 230	
Front	Aluminum, plastic
Tray/rear	Stainless steel
Housing (optional)	Plastic

8.3 Dimensions

TAPCON® 230 W x H x D	218 mm x 324 mm x 130 mm (8.58 in x 12.76 in x 5.12 in) (without mating connector) Mating connector 20 mm (0.79 in)
TAPCON® 230 with housing (optional) W x H x D	Overall: 500 mm x 500 mm x 300 mm (19.69 in x 19.69 in x 11.81 in) Height with wall bracket: 521.3 mm (20.52 in)

8.4 Power supply

Permissible voltage range	85 to 265 V AC / V DC U _N : 100...240 V AC U _N : 100...240 V DC
Max. nominal power consumption	25 W
Permissible frequency range	50/60 Hz
Overvoltage category	OC III
Surge test voltage	5 kV, 1.2 µs/50 µs (IEC 60255-27)
Internal fuse	250 V AC, 1.25 A, 5 x 20 mm, T characteristic (slow acting), breaking capacity H (min. 1,500 A), operating temperature -30°C... +100°C)

Table 8: Power supply

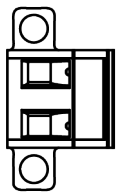
Interface	Pin	Description
	2	L
	1	N

Table 9: Connection X9

Auxiliary power supply AUX DC DI 110 V DC for digital inputs



The auxiliary power supply is used exclusively for the acquisition of up to 16 floating contacts.

Output voltage	U_N : 110 V DC \pm 2% (short-circuit proof)
Max. output power	5 W
Overvoltage category	OC III
Surge test voltage	5 kV, 1.2 μ s/50 μ s (IEC 60255-27)
Fuse	250 V AC, 0.08 A, 5 x 20 mm, TT characteristic (very slow acting), breaking capacity L (min. 35 A), operating temperature -30°C... +85°C)

Table 10: Auxiliary power supply

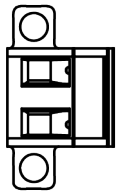
Interface	Pin	Description
	2	L
	1	N

Table 11: Connection X8

8.5 Voltage measurement and current measurement

Voltage measurement TAPCON® 230 basic/pro/expert

Measuring range	20...197 V AC
Nominal voltage U_N	100 V AC
Accuracy	$< \pm 0.3\% \times U_N$ in the operating temperature range
Measurement category (IEC 61010-2-30)	CAT III at an altitude of 3,000 m
Continuous overvoltage	550 V AC
Surge test voltage	5 kV, 1.2 μ s / 50 μ s (IEC 60255-27)

Voltage measurement TAPCON® 230 AVT

Measuring range (switchable)	132...280 V AC	228...510 V AC
Nominal voltage U_N	230 V AC	400 V AC
Accuracy	$< \pm 0.3\% \times U_N$ in the operating temperature range	
Measurement category (IEC 61010-2-30)	CAT III at an altitude of 2,000 m CAT II at an altitude of 3,000 m	
Continuous overvoltage	550 V AC	
Surge test voltage	5 kV, 1.2 μ s / 50 μ s (IEC 60255-27)	

Current measurement

Frequency	45...65 Hz
Nominal current I_N	1 A or 5 A (switchable)
Accuracy	$< \pm 0.5\% \times I_N$ in the operating temperature range
Load resistance	$< 0.1 \text{ VA}$
Overload capability continuous	12.5 A
Overload capacity short-term	500 A / 1 s
Surge test voltage	5 kV, 1.2 μ s / 50 μ s (IEC 60255-27)

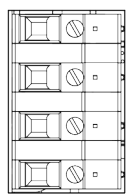
Interface	Pin	Description	
	4	N	VT (U_N : 100/230/400 V AC)
	3	L	VT
	2	I	CT
	1	k	CT

Table 12: Connection UI:X7

8.6 Central processing unit

Processor	ARM Cortex A9 processor 800 MHz
RAM	512 MB
NVRAM (SRAM with battery backup)	256 kB
Application memory	2 GB
Digital relay outputs	2; galvanically isolated
Nominal voltage	DC 24/48/60 V
Max. continuous current	1 A (ohmic load)
Max. switching capacity	30 W
Rated impulse voltage	2.0 kV

Response behavior of the watchdog/error relay:

	Error relay	Watchdog relay
Power off	OFF	OFF
Startup	ON	OFF
Ready (no error pending)	OFF	ON
Ready (pending error)	ON	ON

ON: Relay is energized

OFF: Relay is de-energized

Interfaces

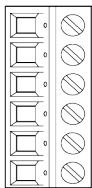
Interface	Pin	Description
	6	ER_NO
	5	ER_NC
	4	ER_COM
	3	WD_NO
	2	WD_NC
	1	WD_COM

Table 13: Plug terminal CPU:X1

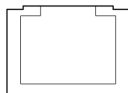
Interface X2, X3	Pin	Description
	8	NC
	7	NC
	6	RXD-
	5	NC
	4	NC
	3	RXD+
	2	TXD-
	1	TXD+

Table 14: Ethernet interface CPU:X2/X3

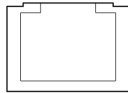
Interface X4	Pin	Description
	8	NC
	7	NC
	6	GND
	5	NC
	4	NC
	3	NC
	2	TXD+/RXD+
	1	TXD-/RXD-

Table 15: Serial interface RS485 CPU:X4


Interface X5	Pin	Description
	8	DTR (O)
	7	DCD (I)
	6	GND
	5	RXD (I)
	4	TXD (O)
	3	VCC/OUT 5 V/12 V
	2	RTS (O)
	1	CTS (I)

Table 16: Serial interface RS232 CPU:X5

8.7 Digital inputs

	DI 16-110 V	DI 16-220 V Only available for the TAPCON® 230 Basic, Pro, and Expert variants.
Inputs (plug-based electrical isolation)	2 x 8	
Nominal voltage	110 VDC	220 V DC
Max. operating voltage	143 V DC	253 V DC 253 VAC
Logical 0	≤ 55 V DC	≤ 110 V
Logical 1	≥ 82.5 V DC	≥ 165 V
Input current	0.9 mA	0.6 mA
Simultaneity factor (at 65 °C ambient temperature)	Max. 13 inputs	

Table 17: DI 16-110 V and DI 16-220 V technical data

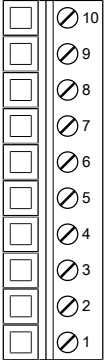
Interface	Pin	Description
	10	Common reference (common)
	9	Common reference (common)
	8	Input 7
	7	Input 6
	6	Input 5
	5	Input 4
	4	Input 3
	3	Input 2
	2	Input 1
	1	Input 0

Table 18: Connector X1 (group 0)

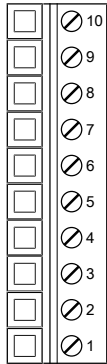
Interface	Pin	Description
	10	Common reference (common)
	9	Common reference (common)
	8	Input 17
	7	Input 16
	6	Input 15
	5	Input 14
	4	Input 13
	3	Input 12
	2	Input 11
	1	Input 10

Table 19: Connector X2 (group 1)

8.8 Digital outputs

	DO 8
Outputs (plug-based electrical isolation)	8 relays 4 groups per module
Switching voltage	DC: 24 V, 48 V, 60 V, 110 V, 220 V AC: 110 V, 230 V
Contact load capacity	Min.: 5 V DC, 10 mA Max. DC: See diagram Max. AC: 250 V; 3 A (8 active outputs) or 5 A (4 active outputs)

Table 20: DO 8 assembly technical data

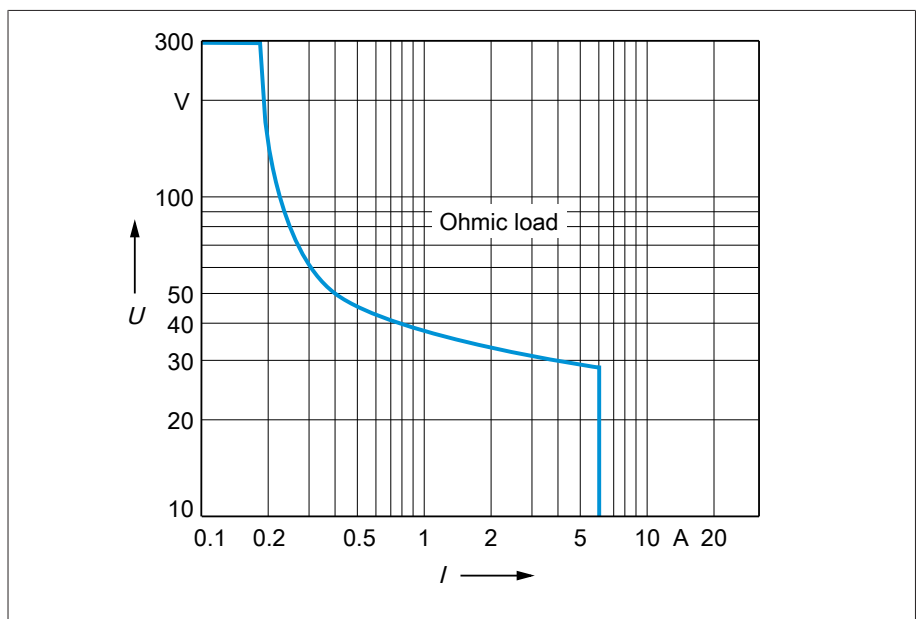


Figure 43: Contact load capacity of digital outputs with resistive load

CAUTION**Electric shock!**

The outputs of the DO assembly have plug-based electrical isolation. A mixture of voltage ranges (e.g. extra low voltage and low voltage) or various phases within a plug can lower the protection against electric shock.

- > Use the same voltage ranges within a plug.
- > Use the same phase within a plug.

Interface	Pin	Description
	4	Common reference (common) output 1
	3	Common reference (common) output 0
	2	Output 1
	1	Output 0

Table 21: Connector X1 (group 0)

Interface	Pin	Description
	4	Common reference (common) output 3
	3	Common reference (common) output 2
	2	Output 3
	1	Output 2

Table 22: Connector X2 (group 1)

Interface	Pin	Description
	4	Common reference (common) output 5
	3	Common reference (common) output 4
	2	Output 5
	1	Output 4

Table 23: Connector X3 (group 2)

Interface	Pin	Description
	4	Common reference (common) output 7
	3	Common reference (common) output 6
	2	Output 7
	1	Output 6

Table 24: Connector X4 (group 3)

8.9 Analog inputs

AI 4	
Inputs (electrically isolated)	4 x 1
Measuring range	0...20 mA, overcurrent approx. 20% 0...10 V, overvoltage approx. 30%
Accuracy	0.15% at 25 °C Current 0.2% at 0...50 °C 0.3% at -20...70 °C 0.4% at -40...70 °C Voltage 0.4% at 0...50 °C 0.5% at -20...70 °C 0.6% at -40...70 °C
Input impedance	52 Ω at 0...20 mA 20.5 kΩ at 0...10 V

Table 25: AI 4 assembly technical data

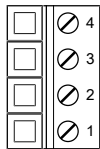
Interface	Pin	Description
	4	V0 U- voltage input
	3	V0 I- current input
	2	V0 I+ current output
	1	V0 U+ voltage output

Table 26: Connector X1 (group 0)

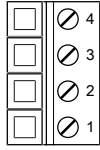
Interface	Pin	Description
	4	V1 U- voltage input
	3	V1 I- current input
	2	V1 I+ current output
	1	V1 U+ voltage output

Table 27: Connector X2 (group 1)

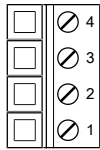
Interface	Pin	Description
	4	V2 U- voltage input
	3	V2 I- current input
	2	V2 I+ current output
	1	V2 U+ voltage output

Table 28: Connector X3 (group 2)

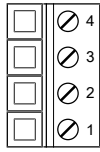
Interface	Pin	Description
	4	V3 U- voltage input
	3	V3 I- current input
	2	V3 I+ current output
	1	V3 U+ voltage output

Table 29: Connector X4 (group 3)

8.10 Communication interfaces

Description	Assembly for converting interfaces and media
Interfaces	1x RS232/RS485 (RJ45): COM X1 2x Ethernet (RJ45): COM X2, COM X5 1x RS232 (D-SUB): COM X3 1x duplex LC (SFP): COM X4 1x plug terminal 10-pin: COM X6
COM X1 Only available for the TAPCON® 230 Pro, Expert and AVT variants.	Internal system interface for connecting the COM X6 interface to the central processing unit (CPU)
COM X2	Internal system interface for connection the front interface to the central processing unit (CPU)
COM X3 Only available for the TAPCON® 230 Expert and AVT variants.	Serial SCADA interface RS232 – 9-pin D-SUB connector
COM X4 Only available for the TAPCON® 230 Expert and AVT variants.	SFP module for converting Ethernet (RJ45) to fiber-optic cable for SCADA – Max. 2000 m – 100 Mbps – Light-emitting diode: class 1 – Wave length: 1310 nm – Max. optical output power: <1 mW (in accordance with IEC 60825-1:2014)
COM X5 Only available for the TAPCON® 230 Expert and AVT variants.	Ethernet connection for SCADA
COM-X6 Only available for the TAPCON® 230 Pro, Expert and AVT variants.	10-pin plug terminal – Tap position capture via resistor contact series – CAN bus – Serial SCADA interface RS485 – Electrically isolated


Interface	Pin	Description
	1	CTS (I) (RS232); TXD-/RXD- (RS485)
	2	RTS (O) (RS232); TXD+/RXD+ (RS485)
	3	VCC/OUT 5 V/12 V (RS232)
	4	TXD (O) (RS232)
	5	RXD (I) (RS232)
	6	GND
	7	DCD (I) (RS232)
	8	DTR (O) (RS232)

Table 30: COM X1 (RS232/RS485)

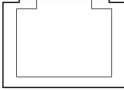
Interface	Pin	Description
	1	TxD+
	2	TxD-
	3	RxD+
	4	NC
	5	NC
	6	RxD-
	7	NC
	8	NC

Table 31: COM X2, COM X5 (RJ45)

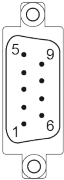
Interface	Pin	Description
	2	RxD
	3	TxD
	5	GND

Table 32: COM X3 (RS232)

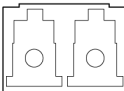
Interface	Description
	Fiber glass 50/125 and 62.5/125 multimode

Table 33: COM X4 (duplex LC SFP)

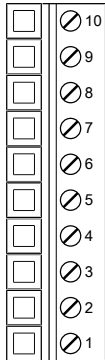
Interface	Pin	Description
	1	GND (resistor contact series)
	2	I out (resistor contact series)
	3	U+ in (resistor contact series)
	4	U- in (resistor contact series)
	5	Data- (RS485)
	6	GND (RS485)
	7	Data+ (RS485)
	8	CAN L (CAN bus)
	9	CAN GND (CAN bus)
	10	CAN H (CAN bus)

Table 34: COM X6

8.11 Tap position capture / resistor contact series

Electrical isolation	Test voltage power-frequency withstand voltage: 500 V _{eff} ; 50 Hz; 1 min
Tap position capture	35 tap positions, 2,000 ohms

8.12 Ambient conditions

Operating temperature	-25...+70 °C
Storage temperature	-30...+85°C (with battery)
Relative humidity	5...95%, non-condensing
Contamination level	2
Protection class	I
Degree of protection	Front: IP54 Rear: IP20 With optional housing: IP56
Maximum installation altitude	3000 m above mean sea level
Minimum clearance to other devices / control cabinet	Above/below: 88.9 mm (3.5 in; equivalent to 2 RU), behind 30 mm (1.2 in)

Table 35: Permissible ambient conditions

8.13 Standards and directives

Electromagnetic compatibility	IEC 61000-6-2, IEC 61000-6-4, IEC 61000-6-5 EN 60255-26 KN 61000-6-2, KN 61000-6-4 FCC 47 CFR Part 15 B ICES-003
Electrical safety	IEC 61010-1 IEC 61010-2-201 IEC 61010-2-030 EN 61010-1 UL 61010-1 CAN/CSA-C22.2 No. 61010-1
Measurement relays and protective devices	IEC 60255-1:2009 Section 6.10.1, 6.10.2 and 6.10.4 IEC 60255-27:2013 Section 10.6.4.2, 10.6.4.3, 10.6.4.4 and 10.6.5.3
Climatic ambient conditions	IEC 60068-2-1 (-25°C; 96 h) cold IEC 60068-2-2 (+70°C; 96 h) dry heat IEC 60068-2-78 (+40°C / 93% rH, 96 h) moist heat, constant IEC 60068-2-30 (+55°C, 6 cycles 12 + 12 hours) moist heat, cyclical
Degree of protection test	IEC 60529
Environmental durability tests	IEC 60255-21-1 vibrations class 1 (3 cycles, 0.5g acceleration, 1 octave/min or 60 cycles, 1.0g acceleration, 1 octave/min)
	IEC 60255-21-2 shock class 1 (duration 11 ms, 5g or 15g acceleration, number of axes 3)
	IEC 60255-21-3 seismic class 1 (frequency 1– 35 Hz, 3.5 mm/1g acceleration horizontal, 1.5 mm/0.5g acceleration vertical, 1 octave/ min, duration 10 min/axis)
	IEC 60068-2-6 Vibration sinusoidal
	IEC 60068-2-27 shock

Table 36: Standards and directives

8.14 Connection diagrams

Also refer to

- 📄 TAPCON® 230 Basic (DI 16-110 V) [▶ 60]
- 📄 TAPCON® 230 Basic (DI 16-220 V) [▶ 62]
- 📄 TAPCON® 230 Pro (DI 16-110 V) [▶ 64]
- 📄 TAPCON® 230 Pro (DI 16-220 V) [▶ 67]
- 📄 TAPCON® 230 Expert (DI 16-110 V) [▶ 70]
- 📄 TAPCON® 230 Expert (DI 16-220 V) [▶ 73]
- 📄 TAPCON® 230 AVT [▶ 76]

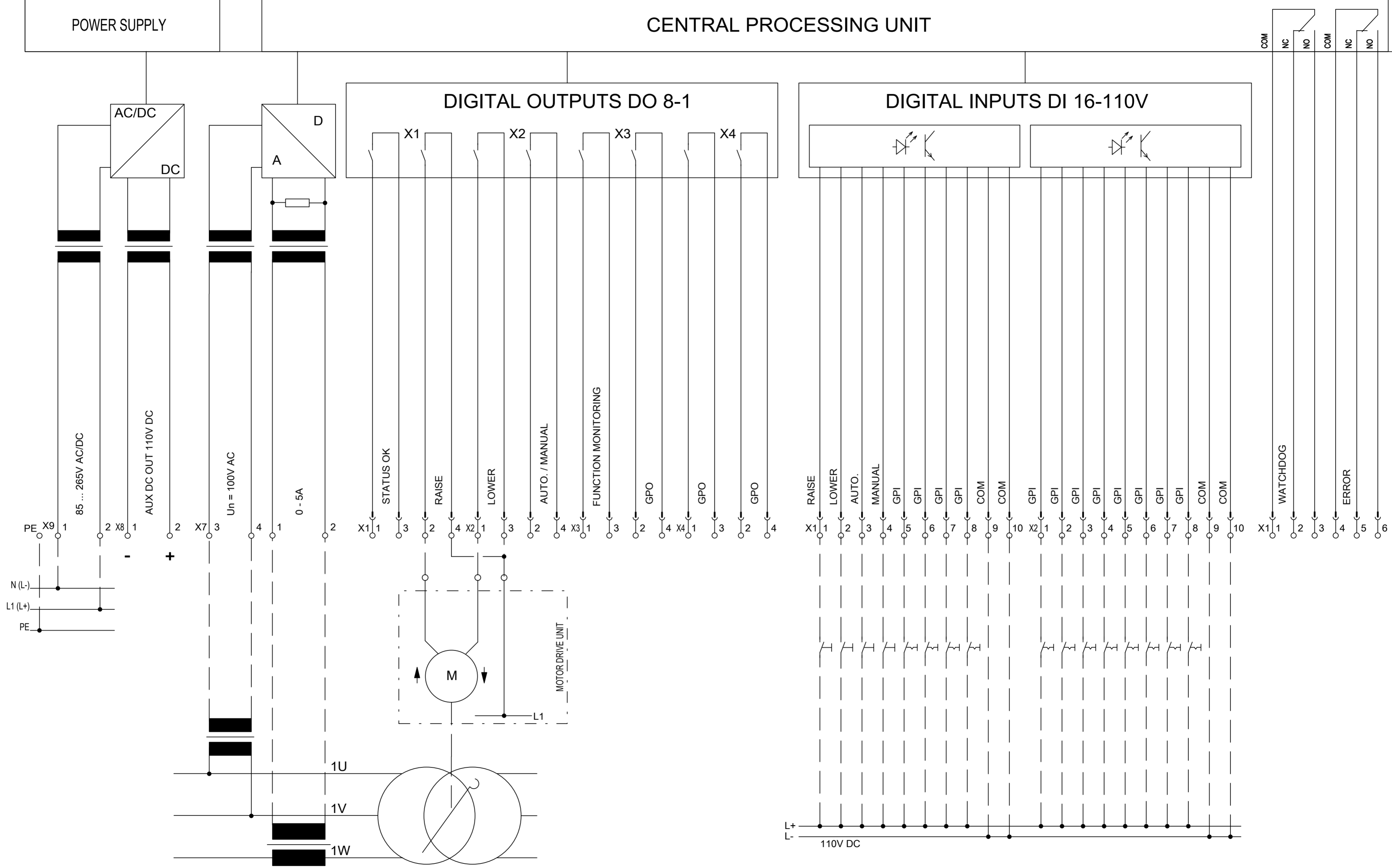
TAPCON® 230 - BASIC

POWER SUPPLY

CENTRAL PROCESSING UNIT

DIGITAL OUTPUTS DO 8-1

DIGITAL INPUTS DI 16-110V



Fuer diese technische Unterlage behalten wir uns gemass
DIN 34 Abschnitt 2.1 und 2.2 alle Rechte vor.

DRAWING BY CAD
DO NOT MODIFY MANUALLY

03	X7,X1 connection	29.09.21	LAINER	DATE	22.01.2021
02	DEL BCD	16.09.21	BECK	EXEC.	BECK
01	BCD signals	28.06.21	M Kahn	VERIFIED	AP
NO.	MODIFICATION	DATE	NAME	STANDARD	

ORIGIN	REPL	REPL BY
--------	------	---------



TAPCON® 230 BASIC

LANGUAGE:
EN

PROJECT:
7826272_03

=	
+	
SHEET 1	
2 SH.	

CUSTOMER

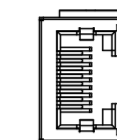
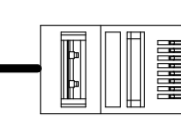
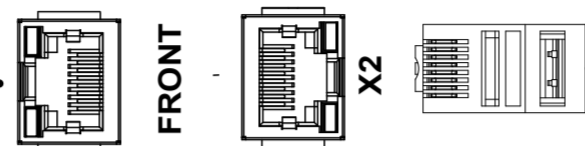
COM

CPU

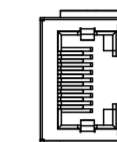
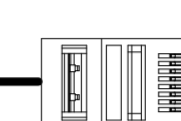
VISU / SERVICE

RJ45

RJ45



x3 RJ45



x3 RJ45

Fuer diese technische Unterlage behalten wir uns gemaess
DIN 34 Abschnitt 2.1 und 2.2 alle Rechte vor.

DRAWING BY CAD
DO NOT MODIFY MANUALLY

03	X7,X1 connection	29.09.21	LAINER	DATE	22.01.2021
02	DEL BCD	16.09.21	BECK	EXEC.	BECK
01	BCD signals	28.06.21	M Kahn	VERIFIED	AP
NO.	MODIFICATION	DATE	NAME	STANDARD	

ORIGIN	REPL	REPL BY
--------	------	---------



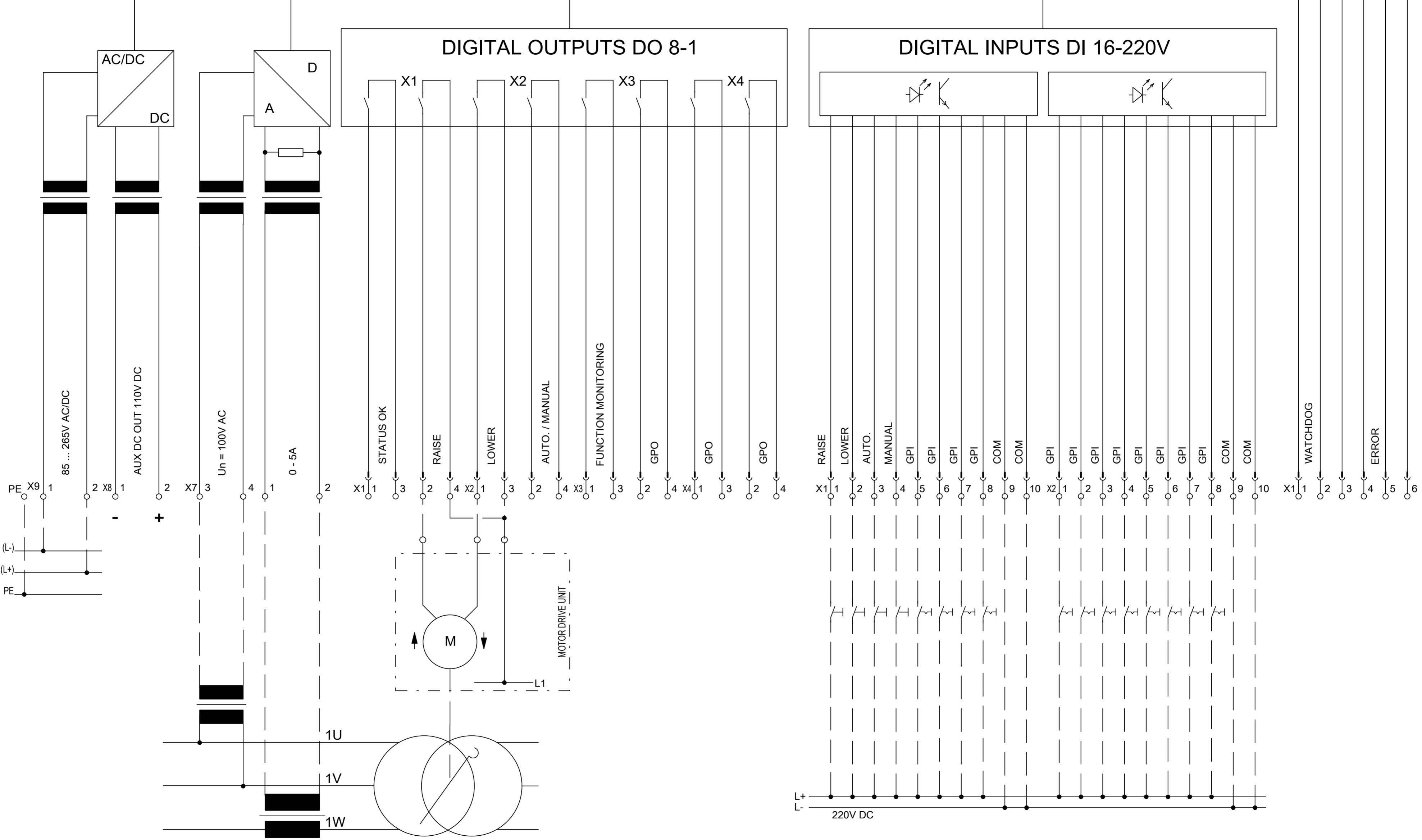
TAPCON® 230 BASIC

LANGUAGE:
EN

PROJECT:
7826272_03

=
+
SHEET 2
2 SH

TAPCON® 230 - BASIC



Fuer diese technische Unterlage behalten wir uns gemass
DIN 34 Abschnitt 2.1 und 2.2 alle Rechte vor.

DRAWING BY CAD
DO NOT MODIFY MANUALLY

DATE	06.09.2022						
EXEC.	BECK						
VERIFIED	AP						
NO.	MODIFICATION	DATE	NAME	STANDARD	ORIGIN	REPL	REPL BY



TAPCON® 230 BASIC

LANGUAGE:
EN

PROJECT:
9008261_00

=	
+	
SHEET 1	
2 SH.	

CUSTOMER

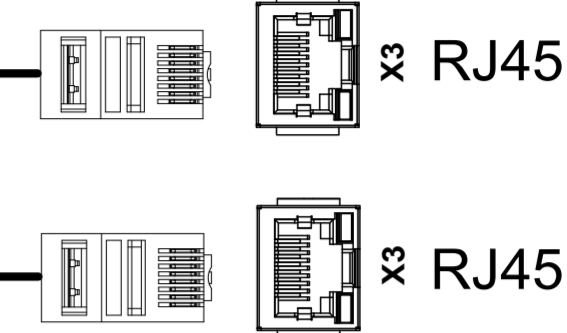
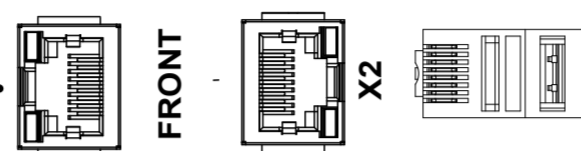
COM

CPU

VISU / SERVICE

RJ45

RJ45



Fuer diese technische Unterlage behalten wir uns gemaess
DIN 34 Abschnitt 2.1 und 2.2 alle Rechte vor.

DRAWING BY CAD
DO NOT MODIFY MANUALLY

				DATE	06.09.2022		
				EXEC.	BECK		
				VERIFIED	AP		
NO.	MODIFICATION	DATE	NAME	STANDARD	ORIGIN	REPL	REPL BY



TAPCON® 230 BASIC

LANGUAGE:
EN

PROJECT:
9008261_00

=
+
SHEET 2
2 SH.

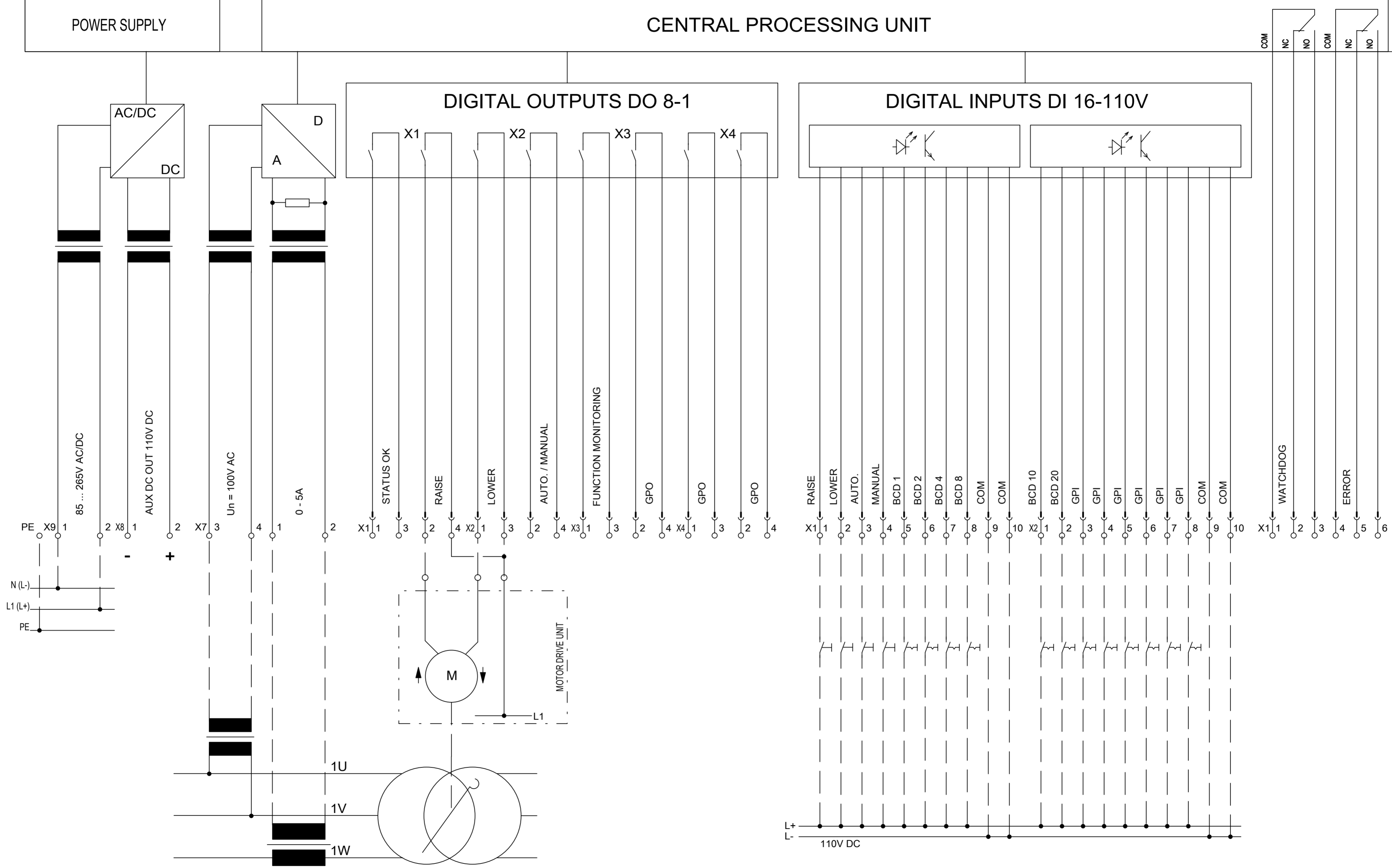
TAPCON® 230 - PRO

POWER SUPPLY

CENTRAL PROCESSING UNIT

DIGITAL OUTPUTS DO 8-1

DIGITAL INPUTS DI 16-110V



Fuer diese technische Unterlage behalten wir uns gemass
DIN 34 Abschnitt 2.1 und 2.2 alle Rechte vor.

DRAWING BY CAD
DO NOT MODIFY MANUALLY

02	X7, X1 connection	29.09.21	Lainer	DATE	22.01.2021
01	BCD signals	29.06.21	M Kahn	EXEC.	BECK
				VERIFIED	AP
NO.	MODIFICATION	DATE	NAME	STANDARD	

ORIGIN	REPL	REPL BY
--------	------	---------



TAPCON® 230 PRO

LANGUAGE:
EN

PROJECT:
7870259_02

=	
+	
SHEET 1	
3 SH.	

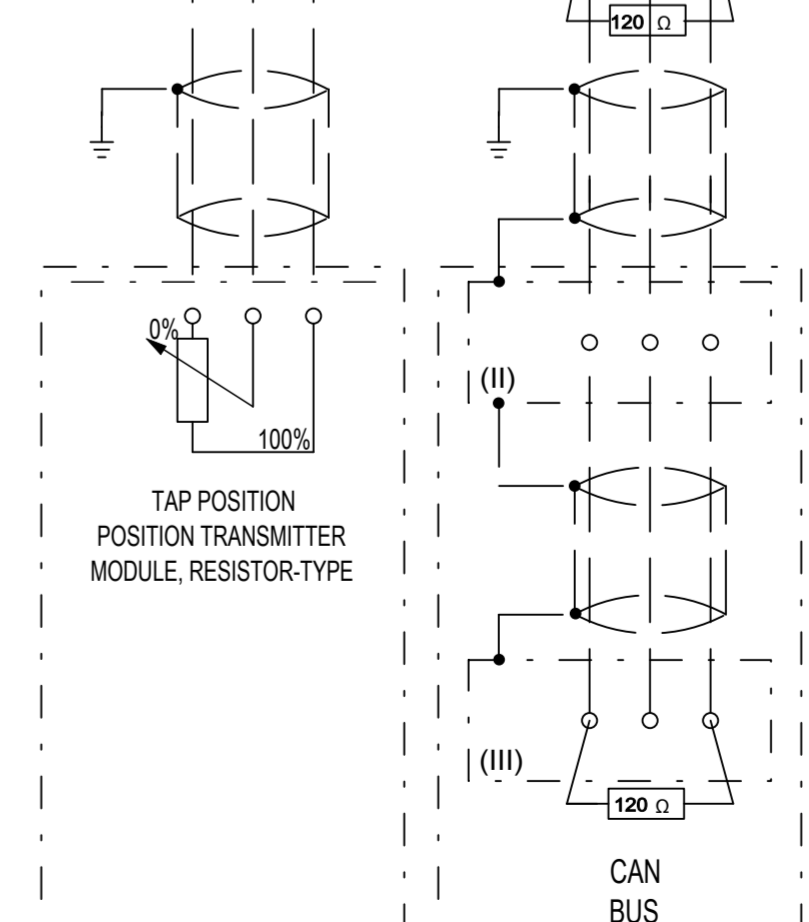
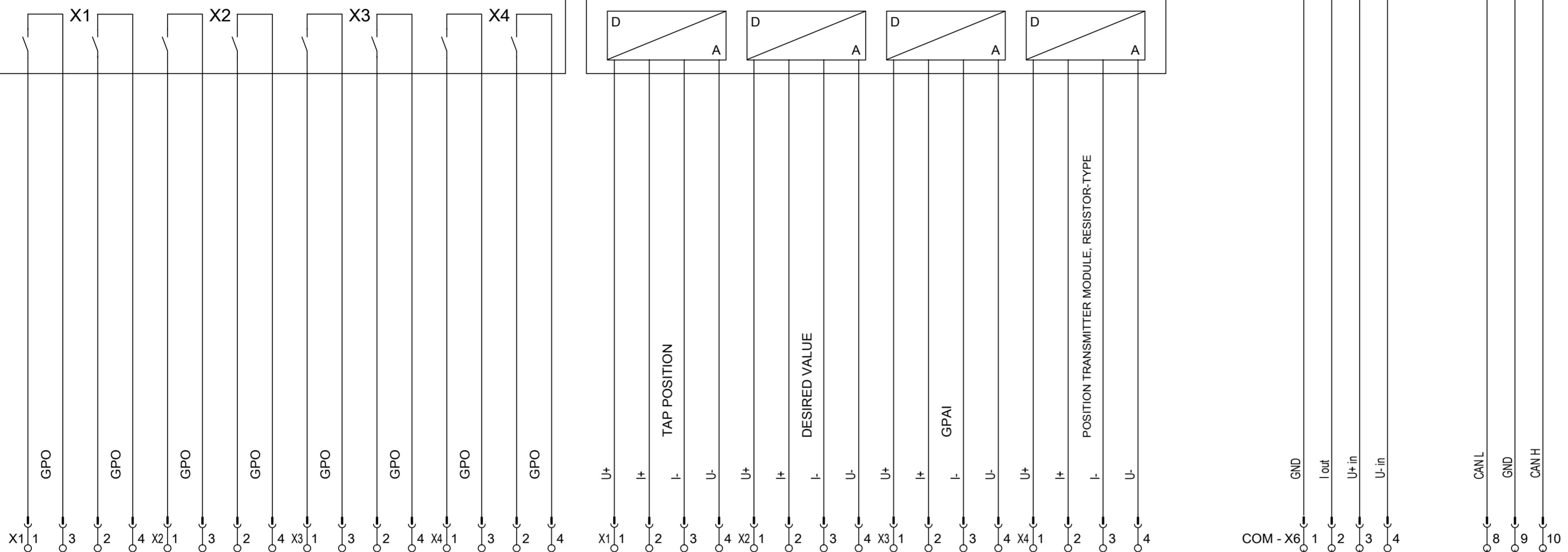
TAPCON® 230 - PRO

CENTRAL PROCESSING UNIT

COM

DIGITAL OUTPUTS DO 8-2

ANALOG INPUTS AI 4



Fuer diese technische Unterlage behalten wir uns gemaess
DIN 34 Abschnitt 2.1 und 2.2 alle Rechte vor.

DRAWING BY CAD
DO NOT MODIFY MANUALLY

02	X7, X1 connection	29.09.21	Lainer	DATE	22.01.2021
01	BCD signals	29.06.21	M Kahn	EXEC.	BECK
				VERIFIED	AP
NO.	MODIFICATION	DATE	NAME	STANDARD	

	ORIGIN	REPL	REPL BY
--	--------	------	---------



TAPCON® 230 PRO

LANGUAGE:
EN

PROJECT:
7870259_02

=	
+	
	SHEET 2
	3 SH.

CUSTOMER

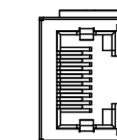
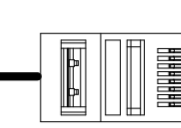
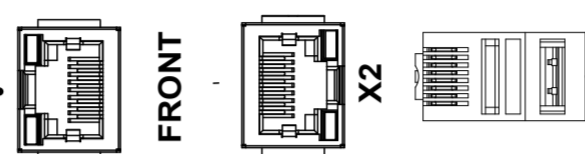
COM

CPU

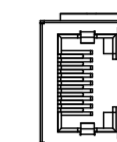
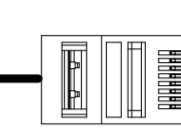
VISU / SERVICE

RJ45

RJ45



x3 RJ45



x3 RJ45

Fuer diese technische Unterlage behalten wir uns gemaess
DIN 34 Abschnitt 2.1 und 2.2 alle Rechte vor.

DRAWING BY CAD
DO NOT MODIFY MANUALLY

02	X7,X1 connection	29.09.21	Lainer	EXEC.	BECK
01	BCD signals	29.06.21	M Kahn	VERIFIED	AP
NO.	MODIFICATION	DATE	NAME	STANDARD	

DATE	22.01.2021
ORIGIN	
REPL	
REPL BY	



TAPCON® 230 PRO

LANGUAGE:
EN

PROJECT:
7870259_02

=	
+	
SHEET	3
	3 SH.

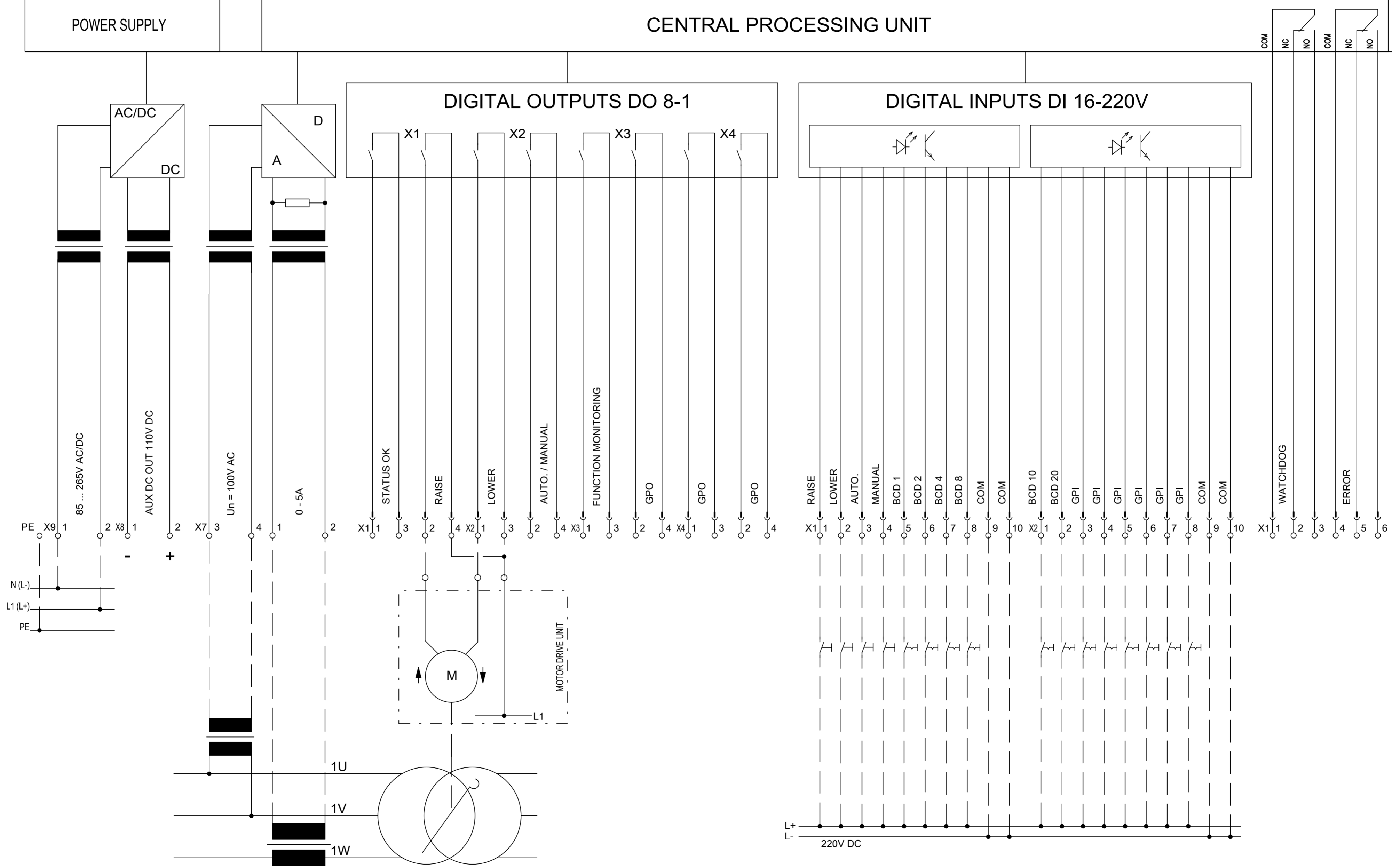
TAPCON® 230 - PRO

POWER SUPPLY

CENTRAL PROCESSING UNIT

DIGITAL OUTPUTS DO 8-1

DIGITAL INPUTS DI 16-220V



Fuer diese technische Unterlage behalten wir uns gemass DIN 34 Abschnitt 2.1 und 2.2 alle Rechte vor.

DRAWING BY CAD
DO NOT MODIFY MANUALLY

DATE	06.09.2022						
EXEC.	BECK						
VERIFIED	AP						
NO.	MODIFICATION	DATE	NAME	STANDARD	ORIGIN	REPL	REPL BY



TAPCON® 230 PRO

LANGUAGE:
EN

PROJECT:
9008275_00

=	
+	
SHEET 1	
3 SH.	

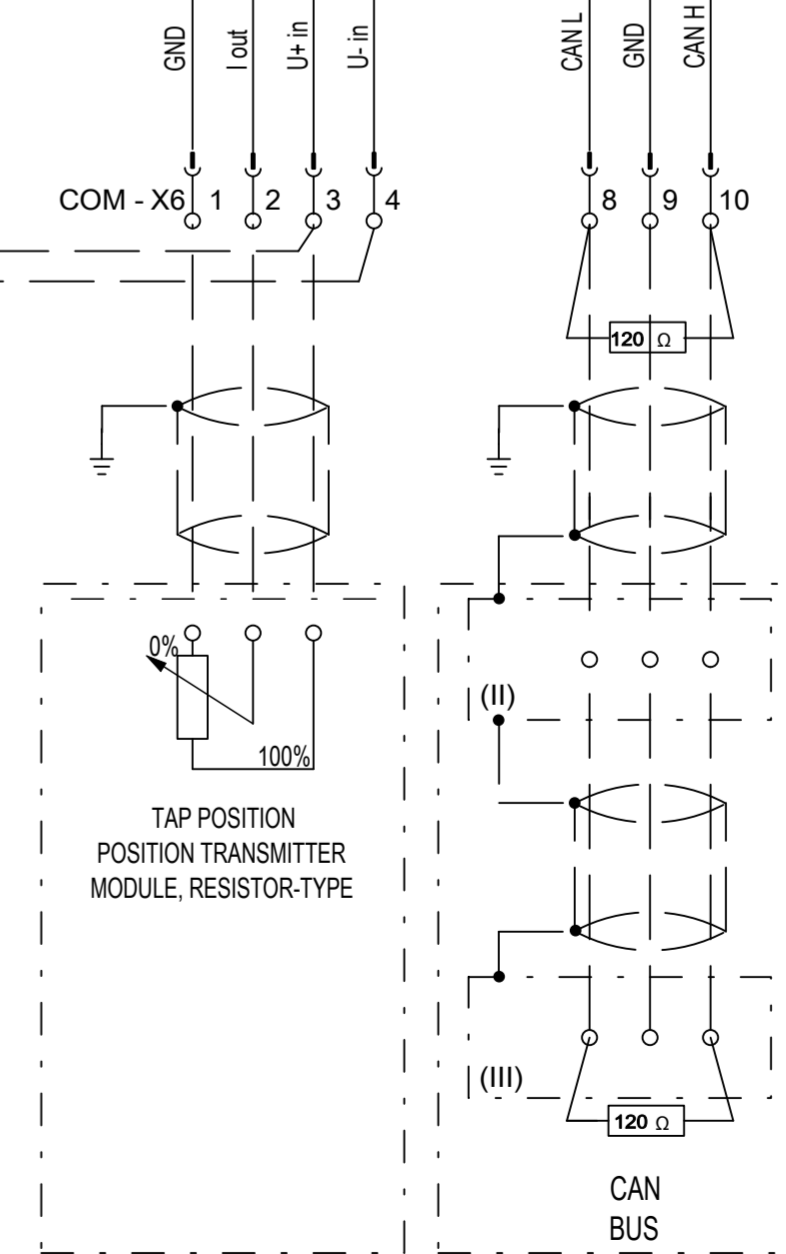
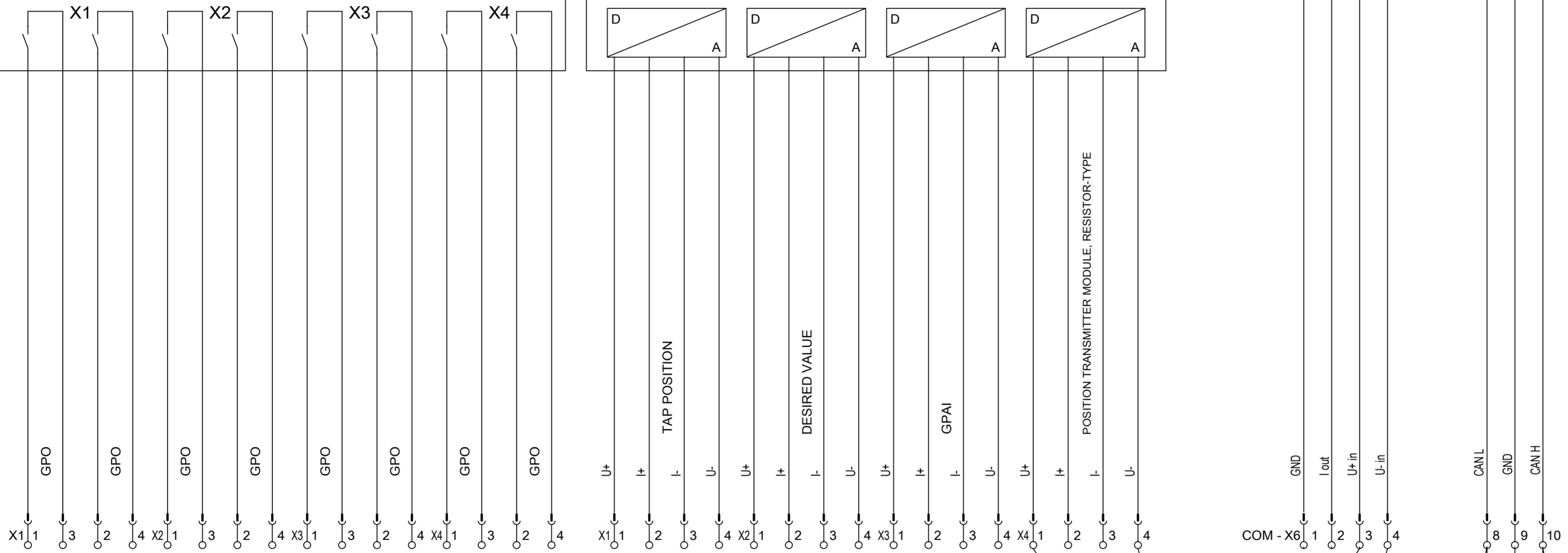
TAPCON® 230 - PRO

CENTRAL PROCESSING UNIT

COM

DIGITAL OUTPUTS DO 8-2

ANALOG INPUTS AI 4



Fuer diese technische Unterlage behalten wir uns gemass DIN 34 Abschnitt 2.1 und 2.2 alle Rechte vor.

DRAWING BY CAD
DO NOT MODIFY MANUALLY

NO.	MODIFICATION	DATE	NAME	STANDARD	ORIGIN	REPL	REPL BY
		06.09.2022	BECK	AP			



TAPCON® 230 PRO

LANGUAGE:
EN

PROJECT:
9008275_00

=	
+	
SHEET 2	
3 SH.	

CUSTOMER

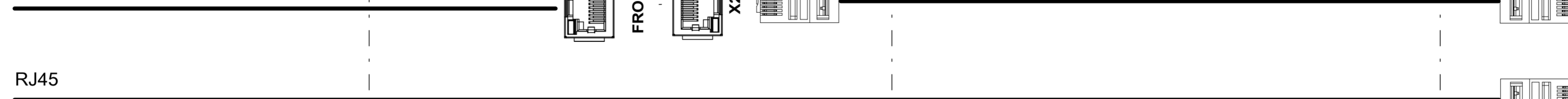
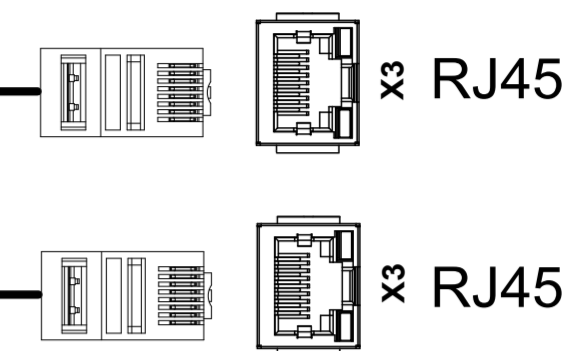
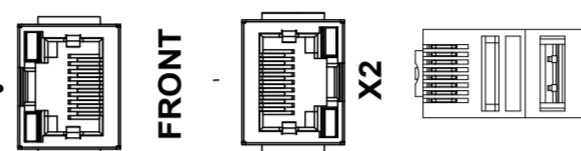
COM

CPU

VISU / SERVICE

RJ45

RJ45



Fuer diese technische Unterlage behalten wir uns gemaess
DIN 34 Abschnitt 2.1 und 2.2 alle Rechte vor.

DRAWING BY CAD
DO NOT MODIFY MANUALLY

				DATE	06.09.2022		
				EXEC.	BECK		
				VERIFIED	AP		
NO.	MODIFICATION	DATE	NAME	STANDARD	ORIGIN	REPL	REPL BY



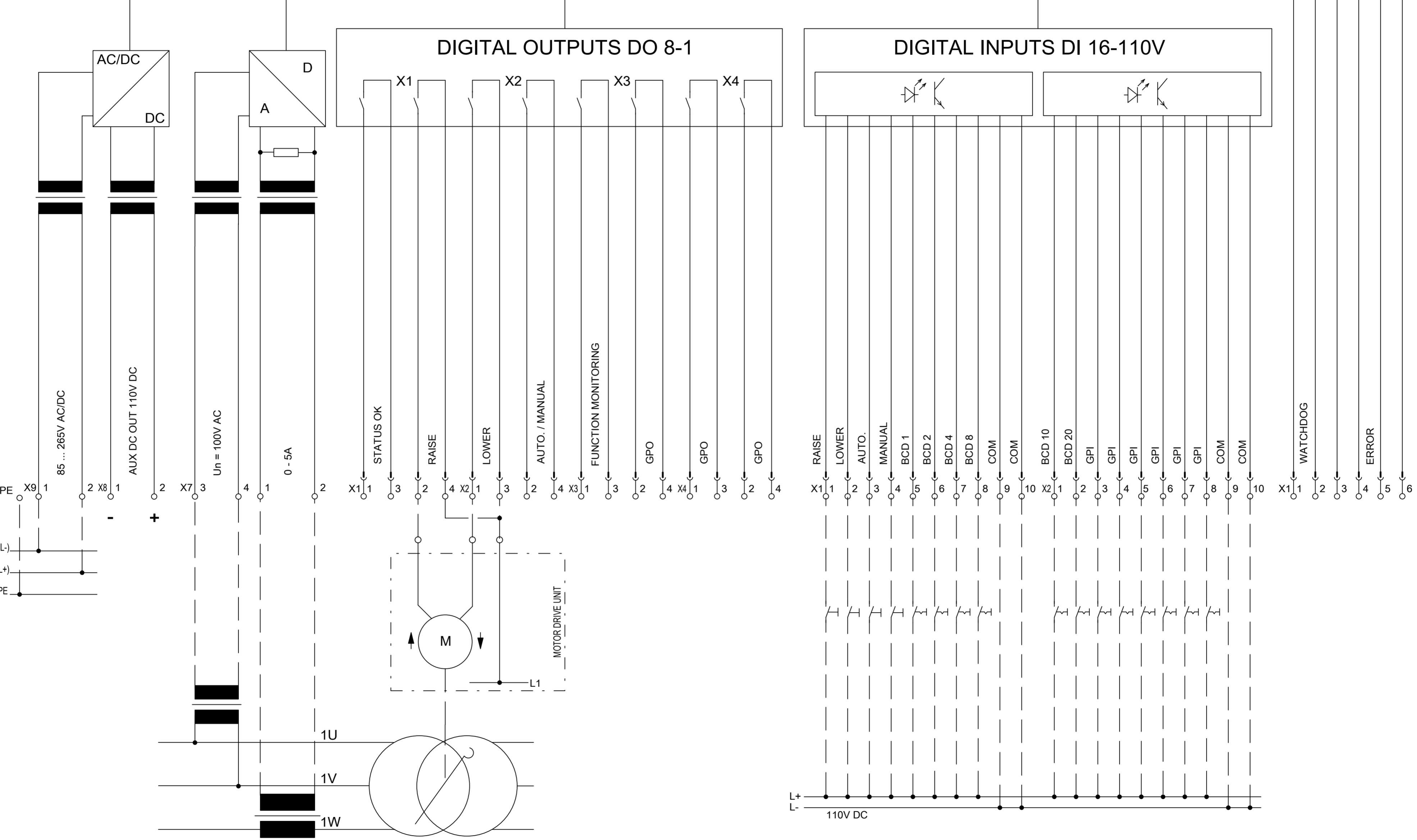
TAPCON® 230 PRO

LANGUAGE:
EN

PROJECT:
9008275_00

=
+
SHEET 3
3 SH.

TAPCON® 230 - EXPERT



Fuer diese technische Unterlage behalten wir uns gemass
DIN 34 Abschnitt 2.1 und 2.2 alle Rechte vor.

DRAWING BY CAD
DO NOT MODIFY MANUALLY

02	X7,X1,X6 connection	01.10.21	LAINER	DATE	22.01.2021
01	BCD Signal	30.06.21	KAHN	EXEC.	BECK
				VERIFIED	AP
NO.	MODIFICATION	DATE	NAME	STANDARD	

ORIGIN	REPL	REPL BY



TAPCON® 230 EXPERT

LANGUAGE:
EN

PROJECT:
7870269_02

=	
+	
	SHEET 1
	3 SH.

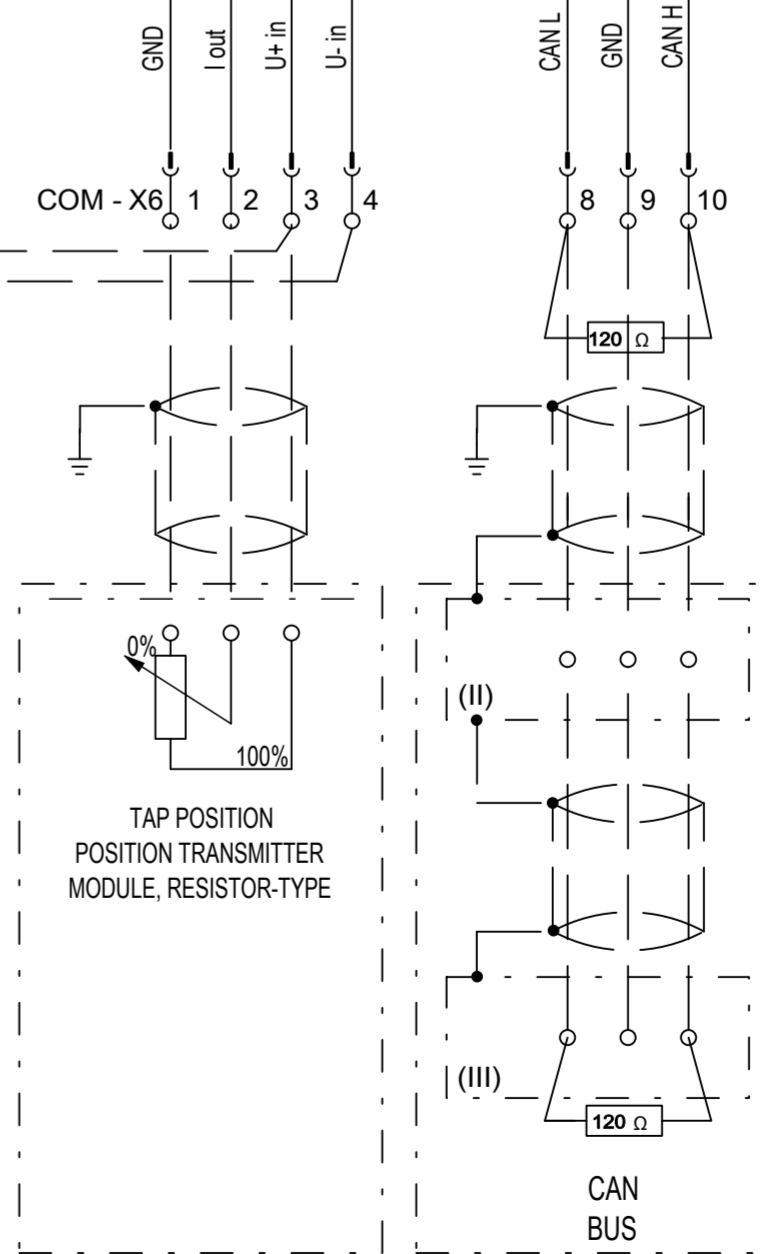
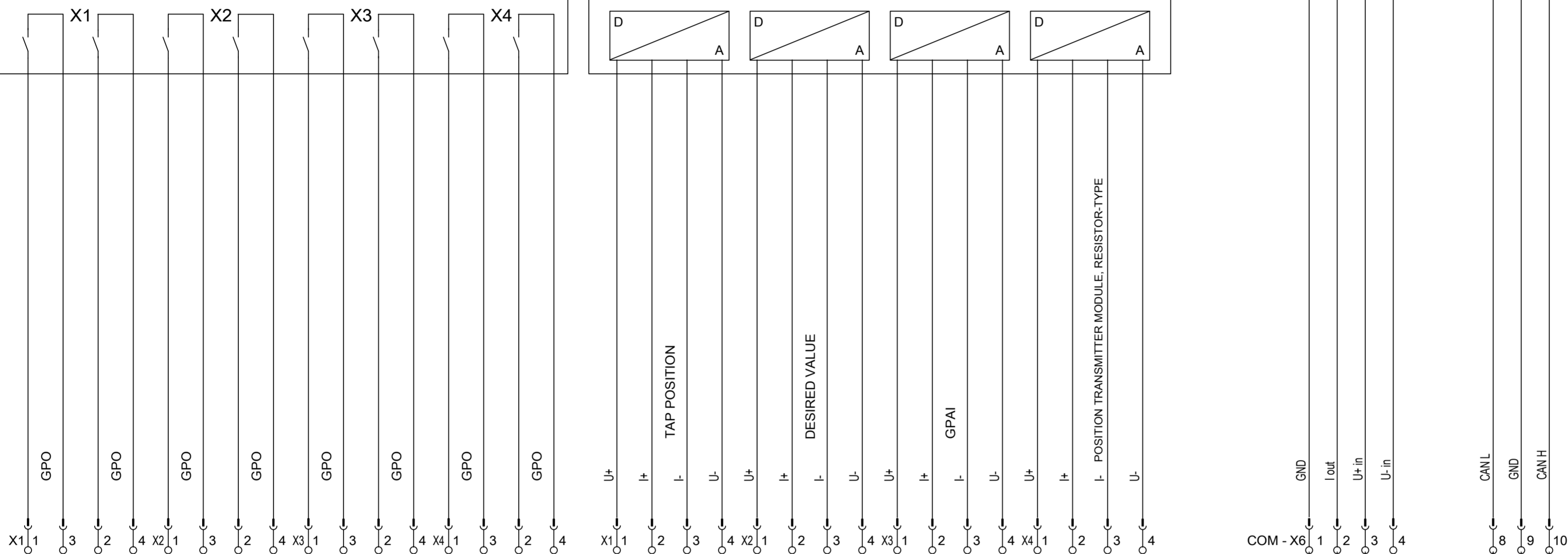
TAPCON® 230 - EXPERT

CENTRAL PROCESSING UNIT

COM

DIGITAL OUTPUTS DO 8-2

ANALOG INPUTS AI 4



Fuer diese technische Unterlage behalten wir uns gemaess
DIN 34 Abschnitt 2.1 und 2.2 alle Rechte vor.

DRAWING BY CAD
DO NOT MODIFY MANUALLY

02	X7,X1,X6 connection	01.10.21	LAINER	DATE	22.01.2021
01	BCD Signal	30.06.21	KAHN	EXEC.	BECK
				VERIFIED	AP
NO.	MODIFICATION	DATE	NAME	STANDARD	ORIGIN
					REPL
					REPL BY



TAPCON® 230 EXPERT

LANGUAGE:
EN

PROJECT:
7870269_02

=	
+	
	SHEET 2
	3 SH.

CUSTOMER

COM

CPU

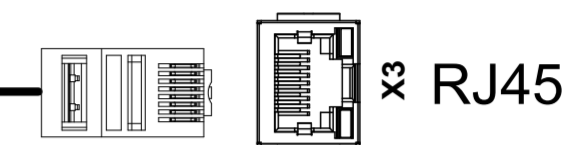
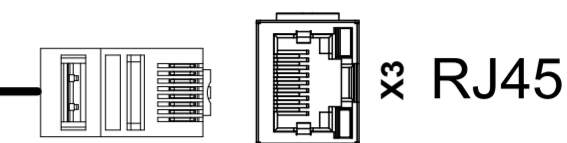
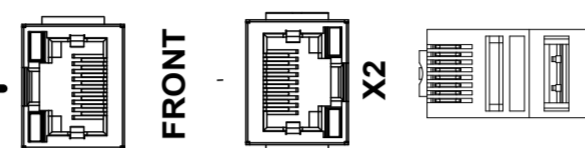
VISU / SERVICE

SCADA ETHERNET

SCADA SERIAL

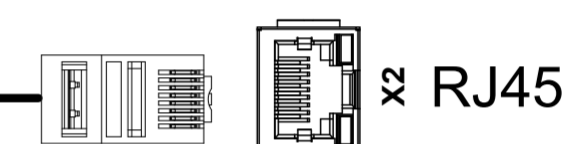
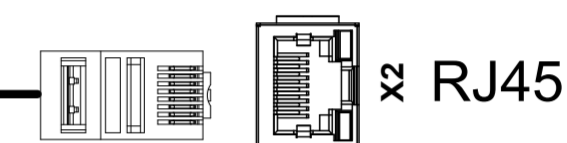
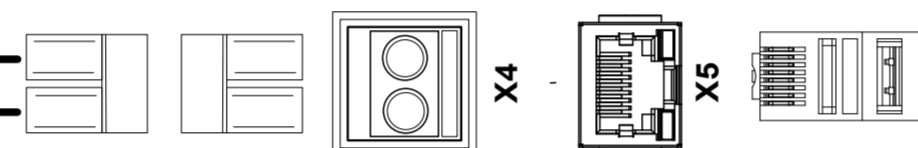
RJ45

RJ45



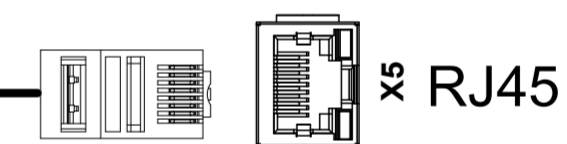
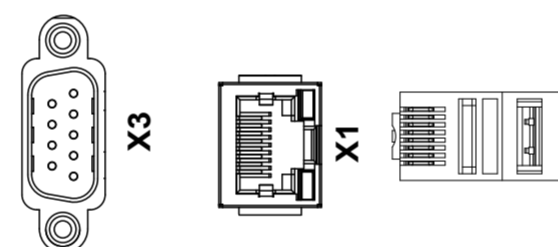
LC 1310nm

RJ45



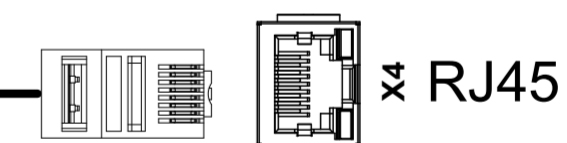
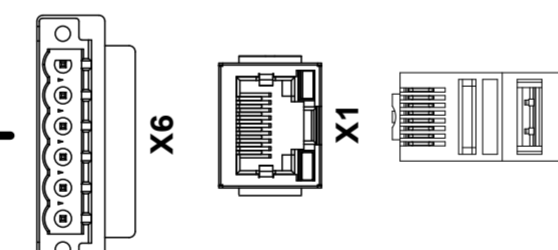
PIN	SIGNAL
2	RxD
3	TxD
5	GND

RS232



PIN	SIGNAL
5	Data -
6	GND
7	Data +

RS485



Fuer diese technische Unterlage behalten wir uns gemass DIN 34 Abschnitt 2.1 und 2.2 alle Rechte vor.

DRAWING BY CAD
DO NOT MODIFY MANUALLY

02	X7,X1,X6 connection	01.10.21	LAINER	DATE	22.01.2021
01	BCD Signal	30.06.21	KAHN	EXEC.	BECK
				VERIFIED	AP
NO.	MODIFICATION	DATE	NAME	STANDARD	



TAPCON® 230 EXPERT

LANGUAGE:
EN

PROJECT:
7870269_02

SHEET 3
3 SH.

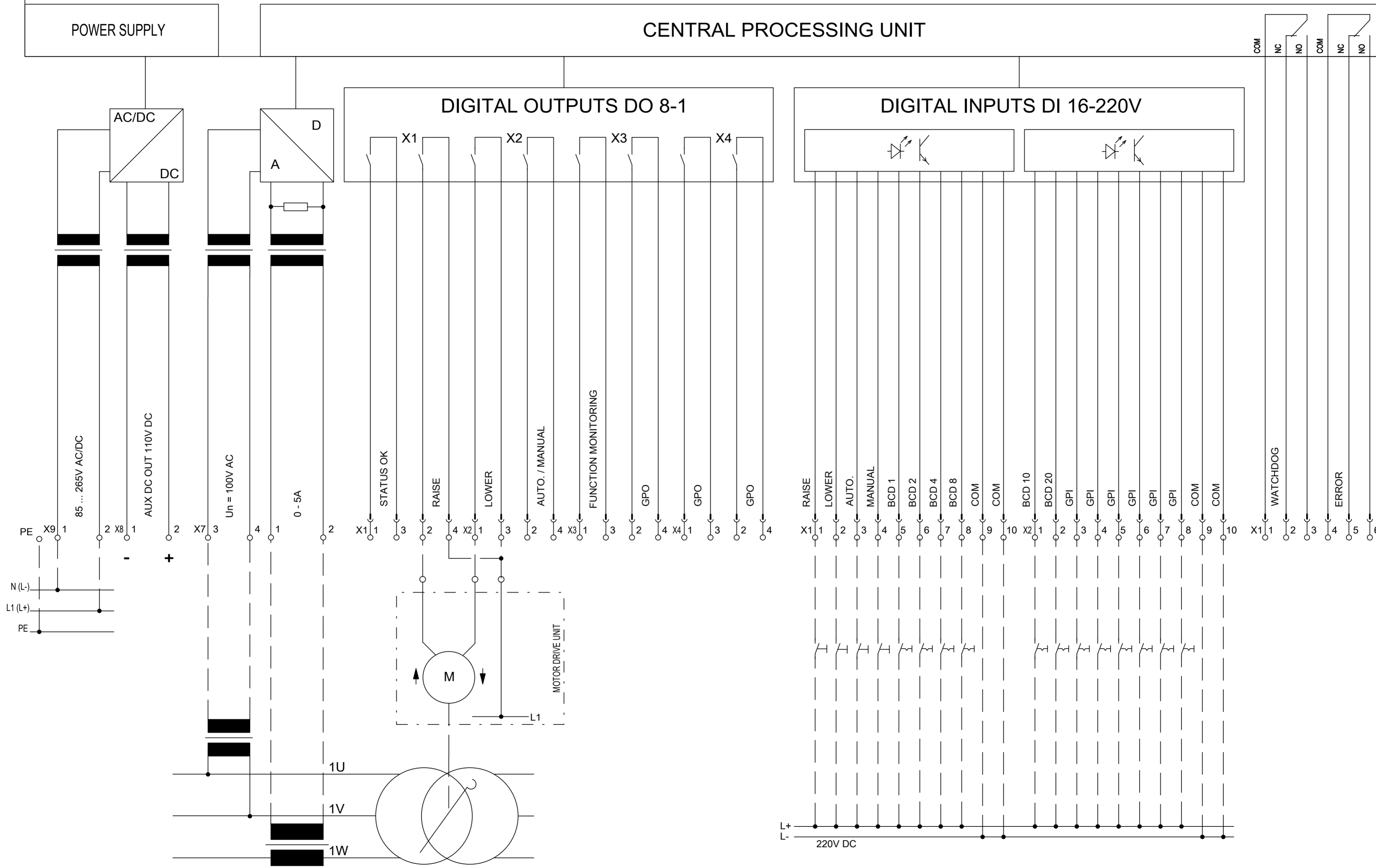
TAPCON® 230 - EXPERT

POWER SUPPLY

CENTRAL PROCESSING UNIT

DIGITAL OUTPUTS DO 8-1

DIGITAL INPUTS DI 16-220V



Fuer diese technische Unterlage behalten wir uns gemass DIN 34 Abschnitt 2.1 und 2.2 alle Rechte vor.

DRAWING BY CAD
DO NOT MODIFY MANUALLY

DATE	06.09.2022						
EXEC.	BECK						
VERIFIED	AP						
NO.	MODIFICATION	DATE	NAME	STANDARD	ORIGIN	REPL	REPL BY



TAPCON® 230 EXPERT

LANGUAGE: EN

PROJECT: 9008290_00

=	
+	
SHEET 1	
3 SH.	

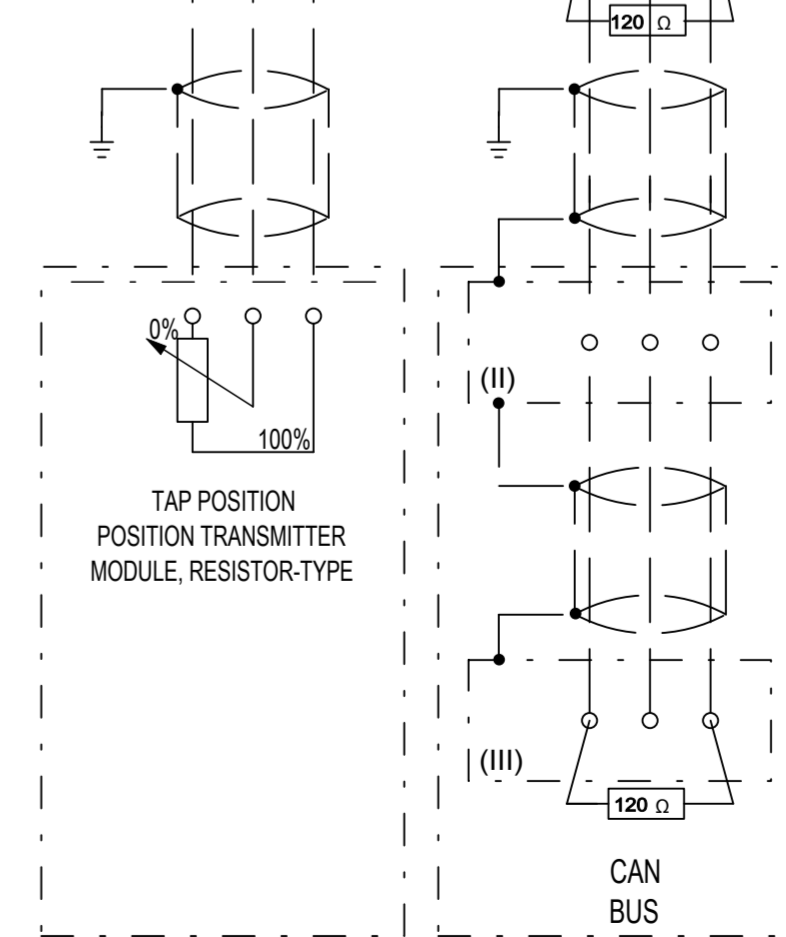
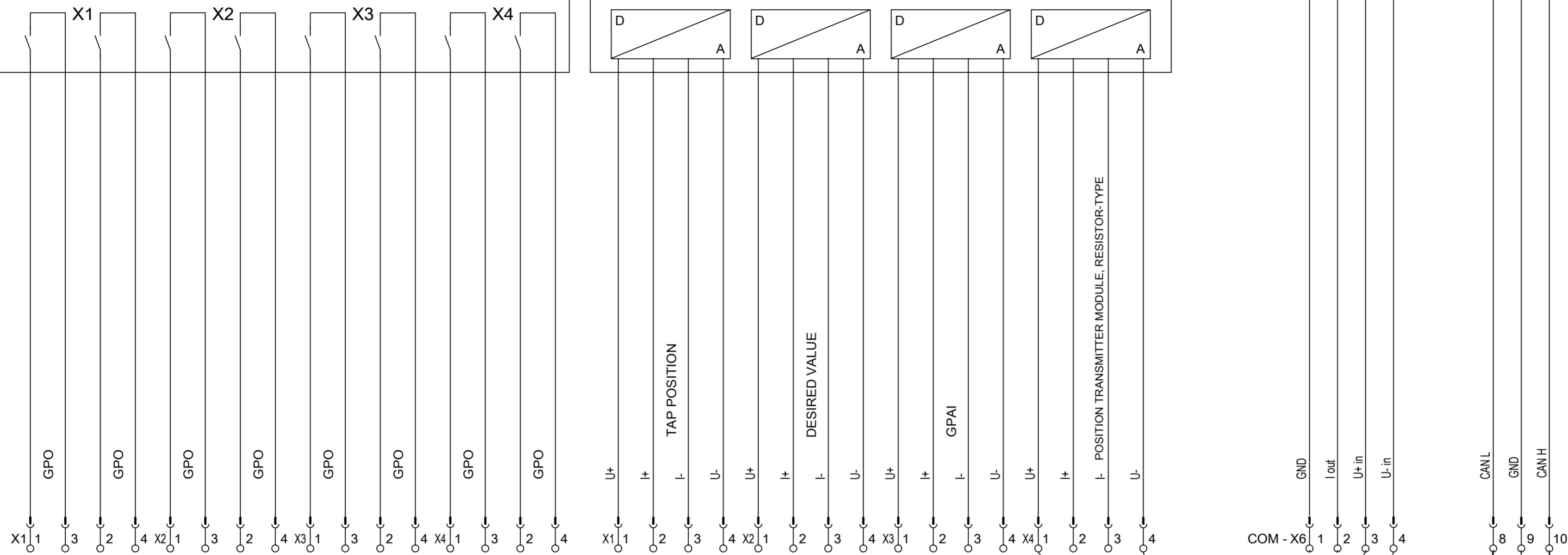
TAPCON® 230 - EXPERT

CENTRAL PROCESSING UNIT

COM

DIGITAL OUTPUTS DO 8-2

ANALOG INPUTS AI 4



Fuer diese technische Unterlage behalten wir uns gemass
DIN 34 Abschnitt 2.1 und 2.2 alle Rechte vor.

DRAWING BY CAD
DO NOT MODIFY MANUALLY

NO.	MODIFICATION	DATE	NAME	STANDARD	ORIGIN	REPL	REPL BY
		06.09.2022					



TAPCON® 230 EXPERT

LANGUAGE:
EN

PROJECT:
9008290_00

=	
+	
	SHEET 2
	3 SH.

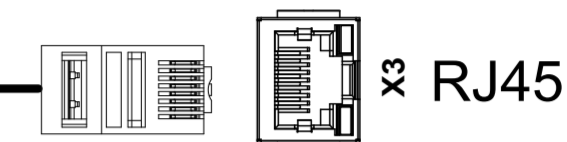
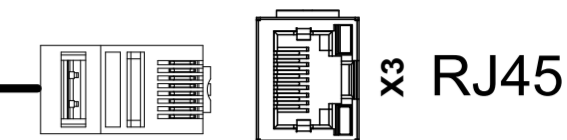
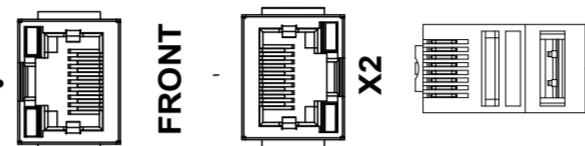
CUSTOMER

COM

CPU

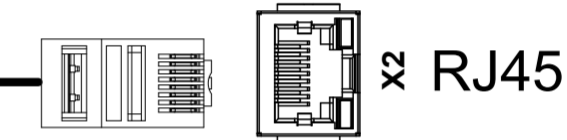
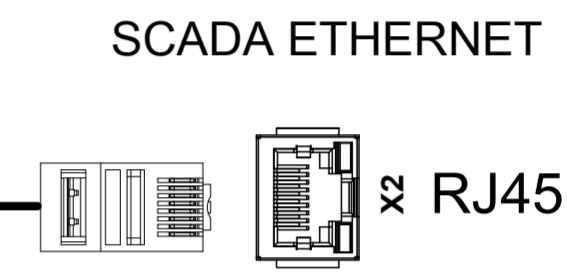
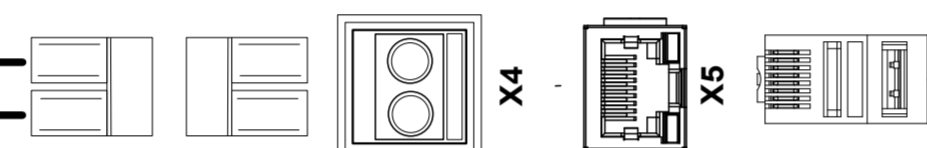
RJ45

RJ45



LC 1310nm

RJ45

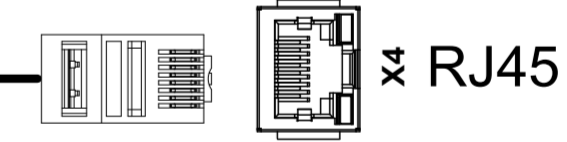
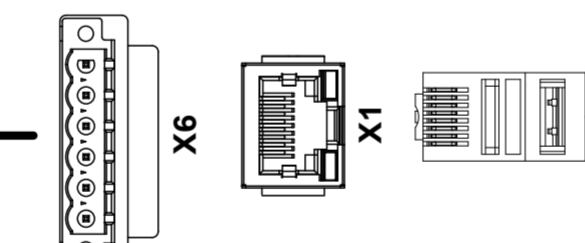
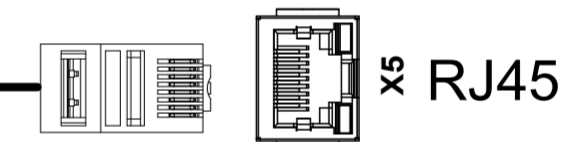
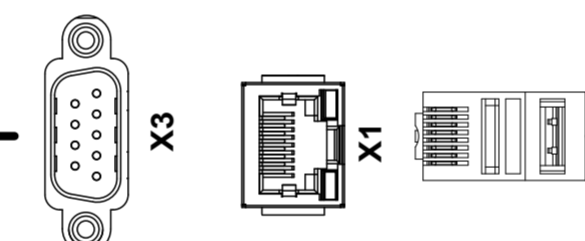


PIN	SIGNAL
2	RxD
3	TxD
5	GND

RS232

PIN	SIGNAL
5	Data -
6	GND
7	Data +

RS485



Fuer diese technische Unterlage behalten wir uns gemass DIN 34 Abschnitt 2.1 und 2.2 alle Rechte vor.

DRAWING BY CAD
DO NOT MODIFY MANUALLY

				DATE	06.09.2022
				EXEC.	BECK
				VERIFIED	AP
NO.	MODIFICATION	DATE	NAME	STANDARD	ORIGIN
					REPL
					REPL BY



TAPCON® 230 EXPERT

LANGUAGE:
EN

PROJECT:
9008290_00

=	
+	
SHEET	3
	3 SH.

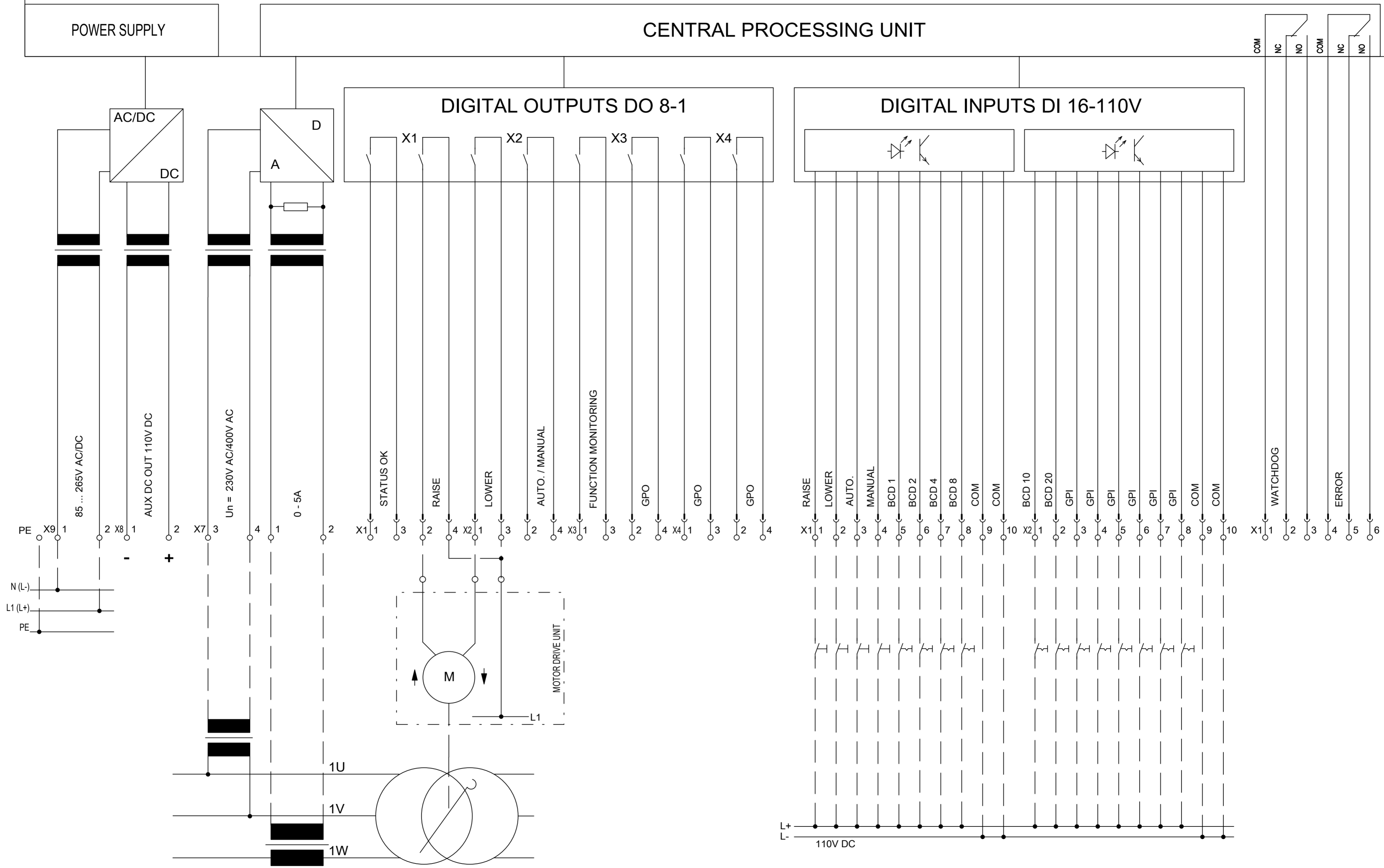
TAPCON® 230 - AVT

POWER SUPPLY

CENTRAL PROCESSING UNIT

DIGITAL OUTPUTS DO 8-1

DIGITAL INPUTS DI 16-110V



Fuer diese technische Unterlage behalten wir uns gemass
DIN 34 Abschnitt 2.1 und 2.2 alle Rechte vor.

DRAWING BY CAD
DO NOT MODIFY MANUALLY

02	X7,X1,X6 connection	01.10.21	LAINER	DATE	22.01.2021
01	BCD SIGNAL	30.06.21	KAHN	EXEC.	BECK
				VERIFIED	AP
NO.	MODIFICATION	DATE	NAME	STANDARD	

ORIGIN	REPL	REPL BY
--------	------	---------



TAPCON® 230 AVT

LANGUAGE:
EN

PROJECT:

7870284_02

=

+

SHEET 1
3 SH.

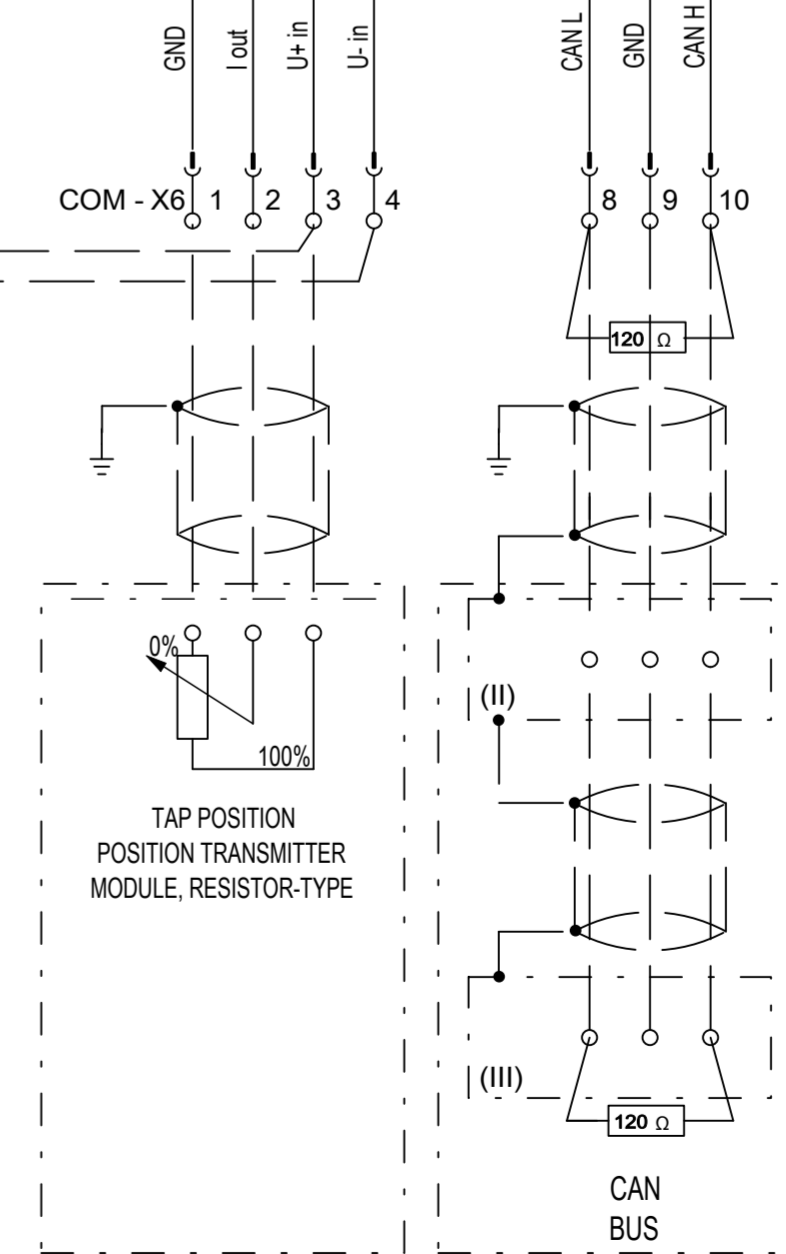
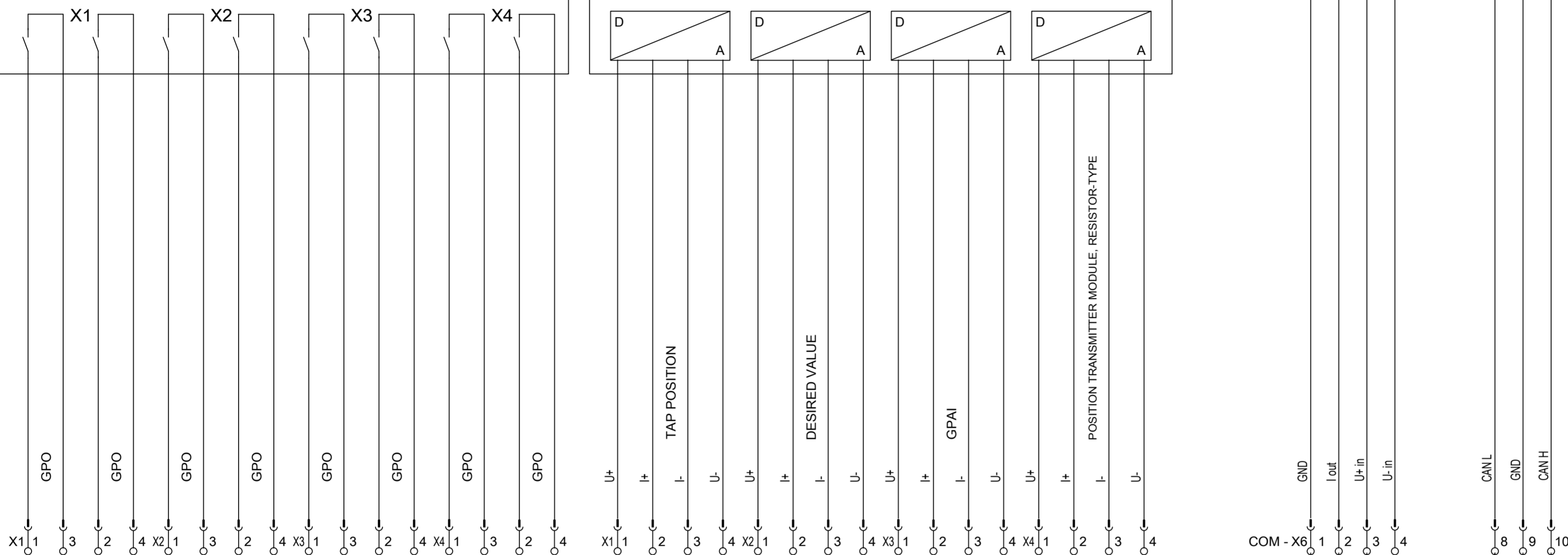
TAPCON® 230 - AVT

CENTRAL PROCESSING UNIT

COM

DIGITAL OUTPUTS DO 8-2

ANALOG INPUTS AI 4



Fuer diese technische Unterlage behalten wir uns gemaess
DIN 34 Abschnitt 2.1 und 2.2 alle Rechte vor.

DRAWING BY CAD
DO NOT MODIFY MANUALLY

02	X7,X1,X6 connection	01.10.21	LAINER	DATE	22.01.2021
01	BCD SIGNAL	30.06.21	KAHN	EXEC.	BECK
				VERIFIED	AP
NO.	MODIFICATION	DATE	NAME	STANDARD	ORIGIN
					REPL
					REPL BY



TAPCON® 230 AVT

LANGUAGE:
EN

PROJECT:
7870284_02

=	
+	
	SHEET 2
	3 SH.

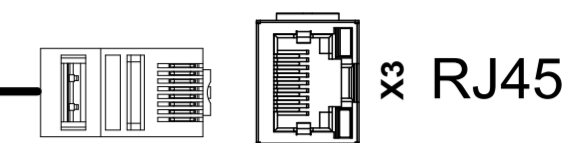
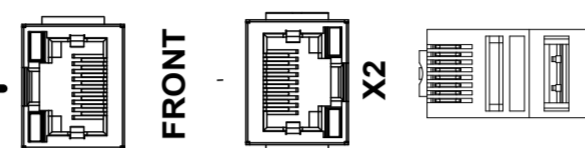
CUSTOMER

COM

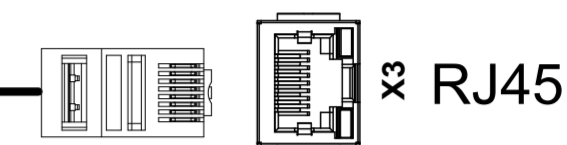
CPU

VISU / SERVICE

RJ45

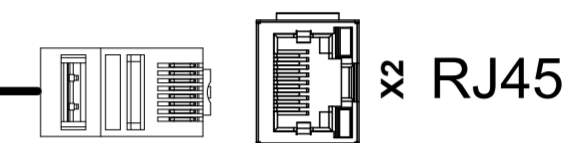
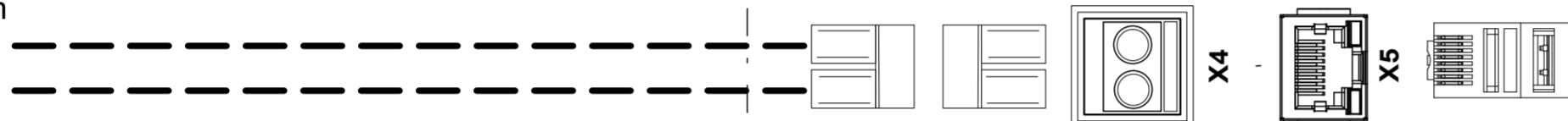


RJ45

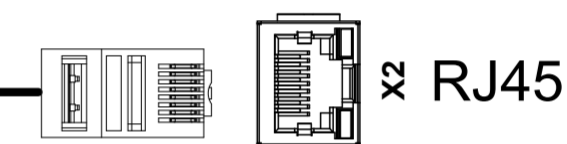


SCADA ETHERNET

LC 1310nm

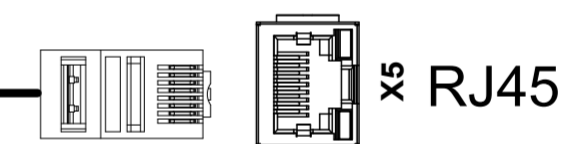
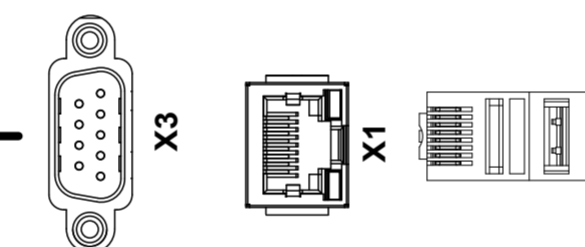


RJ45

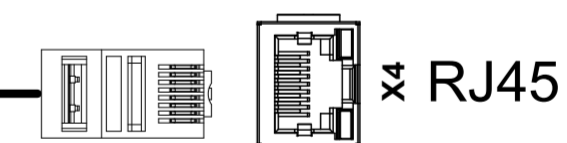
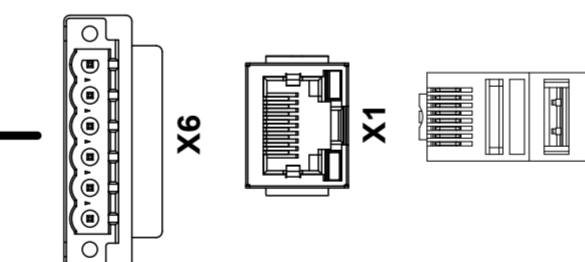


SCADA SERIAL

RS232



RS485



PIN	SIGNAL
2	RxD
3	TxD
5	GND

PIN	SIGNAL
5	Data -
6	GND
7	Data +

Fuer diese technische Unterlage behalten wir uns gemass DIN 34 Abschnitt 2.1 und 2.2 alle Rechte vor.

DRAWING BY CAD DO NOT MODIFY MANUALLY

NO.	MODIFICATION	DATE	NAME	STANDARD	ORIGIN	REPL	REPL BY
02	X7,X1,X6 connection	01.10.21	LAINER				
01	BCD SIGNAL	30.06.21	KAHN				

DATE	22.01.2021
EXEC.	BECK
VERIFIED	AP



TAPCON® 230 AVT

LANGUAGE: EN

PROJECT: 7870284_02

=	
+	
SHEET	3
	3 SH.

List of key words

C		O		V	
Cable recommendation	27	Operating instructions		Visualization	
Control system	32	Download	44	Connection	42
E		S		W	
Electromagnetic compatibility	28	SCADA		Wall mounting	24
		Connection	32		
H					
Housing	24				

Maschinenfabrik Reinhausen GmbH

Falkensteinstrasse 8
93059 Regensburg
Germany
+49 941 4090-0
info@reinhausen.com
[reinhausen.com](https://www.reinhausen.com)

Please note:
The data in our publications may differ from the data of the devices delivered.
We reserve the right to make changes without notice.
7820658/06 - TAPCON® 230 Installation Instructions -
01/24
Maschinenfabrik Reinhausen GmbH 2024

THE POWER BEHIND POWER.



Instrucciones de montaje

TAPCON[®] 230. regulador de tensión

7820658/06



© Todos los derechos reservados por Maschinenfabrik Reinhausen

Queda prohibida cualquier reproducción o copia de este documento, así como la utilización y divulgación de su contenido, a no ser que se autorice expresamente.

Las infracciones conllevan una indemnización por daños. Reservados todos los derechos para casos de registro de patente, modelo de utilidad y diseño industrial.

Es posible que tras la redacción de la siguiente documentación se hayan producido modificaciones en el producto.

Nos reservamos expresamente el derecho a realizar modificaciones de los datos técnicos así como en la construcción del aparato y en el volumen de entrega.

Las informaciones proporcionadas y los acuerdos establecidos durante la tramitación de las ofertas y los pedidos en curso son siempre vinculantes.

El producto se suministra según la especificación técnica de MR, que está basada en indicaciones del cliente. El cliente tiene la obligación de garantizar la compatibilidad del producto especificado con el ámbito de aplicación planificado por el cliente.

Las instrucciones de servicio originales han sido redactadas en alemán.

Índice

1 Introducción	86	6 Primeros pasos	122
1.1 Fabricante	86	6.1 Establecer conexión para la visualización.....	122
1.2 Integridad.....	86	6.2 Ajuste del idioma.....	123
1.3 Lugar de almacenamiento	86	6.3 Descarga de las instrucciones de servicio.....	124
2 Seguridad	87	7 Solución de averías	125
2.1 Uso adecuado	87	7.1 Averías generales.....	125
2.2 Uso inadecuado.....	87	7.2 Interfaz hombre-máquina.....	125
2.3 Instrucciones de seguridad básicas.....	88	7.3 Otras averías	125
2.4 Cualificación del personal.....	90	8 Datos técnicos	127
2.5 Equipo de protección personal	90	8.1 Elementos de indicación	127
3 Seguridad TI	92	8.2 Materiales.....	127
3.1 Generalidades	92	8.3 Dimensiones	127
4 Descripción del producto	93	8.4 Alimentación de corriente.....	127
4.1 Descripción de la función de la regulación de tensión.....	93	8.5 Medición de tensión y medición de corriente	128
4.2 Volumen de entrega	94	8.6 Unidad de cálculo central	129
4.3 Diseño	94	8.7 Entradas digitales	131
4.3.1 Pantalla, elementos de control e interfaz frontal.....	94	8.8 Salidas digitales	132
4.3.2 LED	95	8.9 Entradas analógicas	134
4.3.3 Conexiones y fusibles	96	8.10 Interfaces de comunicación	135
4.3.4 Placa de características	97	8.11 Registro de la posición de toma/corona potenciométrica	137
4.3.5 Identificaciones de seguridad	98	8.12 Condiciones ambientales	137
4.3.6 Esquema de conexiones y tornillo de puesta a tierra.....	98	8.13 Normas y directivas.....	138
4.3.7 Visualización.....	98	8.14 Esquemas de conexiones.....	139
5 Montaje	100	TAPCON® 230 Basic (DI 16-110 V)	140
5.1 Preparación	100	TAPCON® 230 Basic (DI 16-220 V).....	142
5.2 Distancias mínimas	100	TAPCON® 230 Pro (DI 16-110 V)	144
5.3 Variantes de montaje.....	101	TAPCON® 230 Pro (DI 16-220 V).....	147
5.3.1 Montaje en tablero.....	101	TAPCON® 230 Expert (DI 16-110 V)	150
5.3.2 Montaje mural con carcasa (opcional).....	103	TAPCON® 230 Expert (DI 16-220 V).....	153
5.4 Conexión del aparato.....	106	TAPCON® 230 AVT	156
5.4.1 Recomendación de cables.....	106	Índice de palabras clave	159
5.4.2 Compatibilidad electromagnética	107		
5.4.3 Conexión de líneas en la periferia de la instalación.....	109		
5.4.4 Conexión de bus CAN	109		
5.4.5 Conexión de SCADA.....	111		
5.4.6 Cableado de la medición de tensión/ medición de corriente UI	115		
5.4.7 Cableado de entradas analógicas AI	116		
5.4.8 Cableado de entradas digitales DI 16-110 V	117		
5.4.9 Cableado de entradas digitales DI 16-220 V	117		
5.4.10 Cableado de salidas digitales DO	118		
5.4.11 Cableado de la corona potenciométrica.....	118		
5.4.12 Alimentación de corriente y puesta a tierra	118		
5.5 Ejecución de comprobaciones	121		

1 Introducción

Esta documentación técnica incluye descripciones detalladas para montar, conectar, poner en servicio y controlar el producto de forma segura y correcta.

Al mismo tiempo también incluye las indicaciones de seguridad así como indicaciones generales acerca del producto.

Esta documentación técnica está exclusivamente dirigida a personal especializado con la autorización y formación necesarias.

1.1 Fabricante

Maschinenfabrik Reinhausen GmbH
Falkensteinstraße 8
93059 Regensburg
Deutschland
+49 941 4090-0
sales@reinhausen.com
reinhausen.com

Portal de clientes MR Reinhausen: <https://portal.reinhausen.com>.

En caso necesario puede obtener más informaciones sobre el producto y ediciones de esta documentación técnica en esta dirección.

1.2 Integridad

Esta documentación técnica solo se considera completa junto con la siguiente documentación obligatoria correspondiente:

- Esquemas de conexiones
- Instrucciones de servicio
 - Disponible como descarga en el aparato
 - Disponible como descarga en www.reinhausen.com
 - Disponible como descarga en el portal de clientes MR <https://portal.reinhausen.com>

1.3 Lugar de almacenamiento

Guarde esta documentación técnica así como todos los documentos aplicables al alcance de la mano y accesibles en todo momento para su posterior uso. Descárguese las instrucciones de servicio del aparato. También encontrará las instrucciones de servicio en la página web de Maschinenfabrik Reinhausen GmbH o en el portal de clientes MR.

2 Seguridad

- Lea la documentación técnica para familiarizarse con el producto.
- Esta documentación técnica forma parte del producto.
- Imprima el documento descargado o guárdelo en un soporte de datos, que siempre esté a mano y sea accesible en todo momento.
- Lea y preste atención a las instrucciones de seguridad de este capítulo.
- Lea y preste atención a las indicaciones de advertencia de esta documentación técnica para evitar los peligros relacionados con el funcionamiento.
- El producto se ha fabricado según el estado actual de la técnica. Sin embargo, en caso de un uso no adecuado pueden surgir peligros relacionados con el funcionamiento para la salud y la vida del usuario o producirse daños en el producto y otros bienes materiales.

2.1 Uso adecuado

El aparato sirve para mantener constante la tensión de salida de un transformador con cambiador de tomas bajo carga. El producto está previsto exclusivamente para el uso en instalaciones grandes fijas y dispositivos de ingeniería eléctrica.

Siempre que se realice un uso adecuado, se cumplan los requisitos y las condiciones citados en esta documentación técnica y se tengan en cuenta las advertencias de esta documentación técnica y las colocadas en el producto se evitarán riesgos para las personas, los bienes materiales y el medio ambiente. Esto rige para toda la vida útil, desde el suministro pasando por el montaje y el servicio hasta el desmontaje y la eliminación.

Por uso adecuado se entiende lo siguiente:

- Encontrará la norma válida para el producto, incluido el año de edición, en la placa de características.
- Accione el producto únicamente según esta documentación técnica, las condiciones de suministro acordadas y los datos técnicos.
- Asegúrese de que todos los trabajos necesarios los realice únicamente personal cualificado.
- Utilice los dispositivos y las herramientas especiales suministrados exclusivamente para el objetivo previsto y de acuerdo con las determinaciones de esta documentación técnica.
- Accione el producto únicamente en zonas industriales.
- Tenga en cuenta las indicaciones de esta documentación técnica sobre la compatibilidad electromagnética y los datos técnicos.
- El producto se ha previsto para el montaje. Asegúrese de que se cumplen todas las medidas de prevención contra incendios y la protección contra choque eléctrico.
- Asegúrese de que se cumple la resistencia contra carga mecánica.

2.2 Uso inadecuado

Por uso inadecuado se entiende un uso del producto distinto al descrito en el apartado Uso adecuado. Tenga en cuenta además lo siguiente:

- El producto no es un equipo de protección. No lo utilice para representar funciones relevantes para la seguridad.
- No opere el producto en áreas con peligro de explosión.

2.3 Instrucciones de seguridad básicas

Para evitar accidentes, fallos y averías, así como efectos inadmisibles sobre el medio ambiente, la persona responsable del transporte, el montaje, el servicio, el mantenimiento y la eliminación del producto o de sus componentes deberá asegurarse de lo siguiente:

Equipo de protección personal

La ropa suelta o no adecuada aumenta el peligro de atrapamiento o enrollamiento en las piezas giratorias así como el peligro de aprisionamiento en piezas que sobresalen. Por este motivo, existe peligro para la salud y la vida.

- Para la respectiva actividad utilice el equipo de protección personal, p. ej. un casco, calzado de protección laboral, etc.
- Nunca utilice equipos de protección personal defectuosos.
- Nunca lleve anillos, cadenas ni otras joyas.
- En caso de llevar el pelo largo, utilice una redecilla para el pelo.

Zona de trabajo

El desorden y las zonas de trabajo mal iluminadas pueden provocar accidentes.

- Mantenga el lugar de trabajo limpio y ordenado.
- Asegúrese de que la zona de trabajo está bien iluminada.
- Cumpla la legislación vigente sobre la prevención de accidentes en el respectivo país.

Trabajar durante el servicio

Únicamente debe poner en servicio el producto en estado correcto y apto para funcionar. De lo contrario, existe peligro para la salud y la vida.

- Compruebe periódicamente los dispositivos de seguridad para asegurarse de que funcionan correctamente.
- Cumpla los trabajos de inspección y mantenimiento y los intervalos de mantenimiento descritos en esta documentación técnica.

Radiación láser invisible

Si mira directamente el rayo o el rayo que se refleja puede sufrir lesiones oculares. El rayo sale de las conexiones ópticas o del extremo de los cables de fibra óptica conectados a las mismas en los módulos. Lea también al respecto el capítulo "Datos técnicos" [► Apartado 8, Página 127].

- Nunca mire directamente el rayo o el rayo que se refleja.
- Nunca mire el rayo con instrumentos ópticos como una lupa o un microscopio.
- En caso de que el ojo reciba la radiación láser, cierre conscientemente los ojos y retire inmediatamente la cabeza del rayo.

Manipulación de transformadores de corriente

Durante el funcionamiento de un transformador de corriente con circuito de corriente secundario abierto pueden producirse tensiones elevadas peligrosas. Esto puede provocar lesiones y daños materiales.

- Nunca accione los transformadores de corriente con el circuito de corriente secundario abierto, por este motivo el transformador de corriente debe cortocircuitarse.
- Observe las indicaciones de las instrucciones de servicio del transformador de corriente.

Manipulación de componentes eléctricos

Los componentes eléctricos pueden dañarse a causa de descargas electrostáticas.

- Nunca toque componentes eléctricos durante la puesta en servicio, el funcionamiento o trabajos de mantenimiento.
- Mediante medidas adecuadas (p. ej. cubiertas) asegúrese de que el personal no pueda tocar los componentes.
- Utilice equipo de protección personal adecuado.

Protección contra explosión

Los gases, vapores y polvos fácilmente inflamables o explosivos pueden provocar explosiones e incendios graves.

- No accione ni monte el producto en zonas con peligro de explosión.

Identificaciones de seguridad

Los rótulos de advertencia y los rótulos de seguridad son identificaciones de seguridad del producto. Estos rótulos son componentes importantes del concepto de seguridad.

- Observe todas las identificaciones de seguridad del producto.
- Mantenga todas las identificaciones de seguridad del producto completas y legibles.
- Cambie las identificaciones de seguridad dañadas o que ya no estén disponibles.

Condición medioambiental

Con el fin de garantizar un funcionamiento fiable y seguro, el producto únicamente debe accionarse bajo las condiciones ambientales indicadas en los datos técnicos.

- Tenga en cuenta las condiciones de servicio indicadas y los requisitos del lugar de instalación.

Modificaciones y transformaciones

Las modificaciones no permitidas o inadecuadas del producto pueden conllevar daños personales, daños materiales así como fallos de funcionamiento.

- Modifique el producto únicamente previa consulta con Maschinenfabrik Reinhausen GmbH.

Piezas de repuesto

Las piezas de repuesto no autorizadas por Maschinenfabrik Reinhausen GmbH pueden conllevar daños personales, daños materiales y averías de funcionamiento en el producto.

- Utilice únicamente las piezas de repuesto autorizadas por Maschinenfabrik Reinhausen GmbH.
- Póngase en contacto con Maschinenfabrik Reinhausen GmbH.

2.4 Cualificación del personal

La persona responsable del montaje, la puesta en servicio, el manejo, el mantenimiento y la inspección debe garantizar que el personal posea la cualificación suficiente.

Personal electricista

Debido a su formación técnica, el personal electricista posee los conocimientos y la experiencia necesarios y conoce las normas y disposiciones pertinentes.

Además, el personal electricista dispone de las siguientes capacidades:

- El personal electricista detecta por sí mismo posibles peligros y está capacitado para evitarlos.
- El personal electricista puede ejecutar trabajos en instalaciones eléctricas.
- El personal electricista se ha formado especialmente para el entorno de trabajo en el que trabaja.
- El personal electricista debe cumplir las disposiciones de las normas legales vigentes sobre la prevención de accidentes.

Personas con formación en electrotecnia

Una persona con formación en electrotecnia recibe instrucciones y formación por parte de un técnico electricista sobre las tareas que se le han encomendado y los posibles peligros en caso de comportamiento indebido así como sobre los dispositivos de protección y las medidas de protección. La persona con formación en electrotecnia trabaja exclusivamente bajo la dirección y supervisión de un técnico electricista.

Operario

El operario utiliza y maneja el producto en el marco de esta documentación técnica. El explotador se encarga de instruirle y formarle sobre las tareas especiales y los posibles peligros derivados de las mismas en caso de comportamiento indebido.

Servicio de asistencia técnica

Se recomienda encarecidamente encargar los trabajos de mantenimiento, reparación y reequipamiento a nuestro servicio de asistencia técnica. De este modo se garantiza una ejecución técnicamente adecuada de todos los trabajos. Si el mantenimiento no es realizado por nuestro servicio de asistencia técnica se debe garantizar que el personal encargado de ello haya sido formado y autorizado por Maschinenfabrik Reinhausen GmbH.

Personal autorizado

El personal autorizado recibe formación e instrucción para mantenimientos especiales por parte de Maschinenfabrik Reinhausen GmbH.

2.5 Equipo de protección personal

Durante el trabajo es necesario utilizar un equipo de protección personal para reducir los riesgos para la salud.

- Durante el trabajo es preciso utilizar siempre el equipo de protección necesario para el trabajo en cuestión.
- Nunca utilice equipos de protección defectuosos.
- Tenga en cuenta las indicaciones sobre el equipo de protección personal colocadas en el área de trabajo.

Ropa de protección de trabajo	Ropa de trabajo ajustada, con poca resistencia a la rotura, con mangas ajustadas y sin partes salientes. Sirve principalmente para evitar quedarse enganchado en las piezas móviles de la máquina.
Calzado de seguridad	Para proteger de la caída de piezas pesadas y no resbalarse en superficies resbaladizas.
Gafas de protección	Para proteger los ojos de piezas que puedan salir disparadas o de salpicaduras de líquido.
Visor	Para proteger el rostro de piezas que puedan salir disparadas o de salpicaduras de líquido, así como de otras sustancias peligrosas.
Casco de protección	Para proteger de piezas o materiales que puedan caer o salir disparados.
Protección auditiva	Para proteger de posibles daños en los oídos.
Guantes protectores	Para proteger de peligros mecánicos, térmicos y eléctricos.

Tabla 1: Equipo de protección personal

3 Seguridad TI

Tenga en cuenta las siguientes recomendaciones para un funcionamiento seguro del producto.

3.1 Generalidades

- Asegúrese de que solo personas autorizadas tengan acceso al aparato.
- Utilice el aparato únicamente dentro de una zona de seguridad electrónica (ESP – electronic security perimeter o perímetro de seguridad electrónica). No conecte el aparato a Internet sin protección. Utilice mecanismos para la segmentación de red vertical y horizontal y gateways de seguridad (cortafuegos) en los pasos.
- Asegúrese de que únicamente personal con la debida formación y sensibilizado en cuanto a la seguridad TI maneje el aparato.
- Compruebe periódicamente si hay actualizaciones de software para el aparato e instálelas.

4 Descripción del producto

4.1 Descripción de la función de la regulación de tensión

El aparato sirve para mantener constante la tensión de salida de un transformador con cambiador de tomas bajo carga.

El aparato compara la tensión de medición del transformador U_{Real} con una tensión de consigna definida $U_{Cons.}$. La diferencia entre U_{Real} y $U_{Cons.}$ representa la desviación de regulación dU .

Los parámetros del aparato pueden adaptarse de forma óptima al comportamiento de la tensión de red, de forma que se alcance un comportamiento de la regulación uniforme con un bajo número de conmutaciones del cambiador de tomas bajo carga.

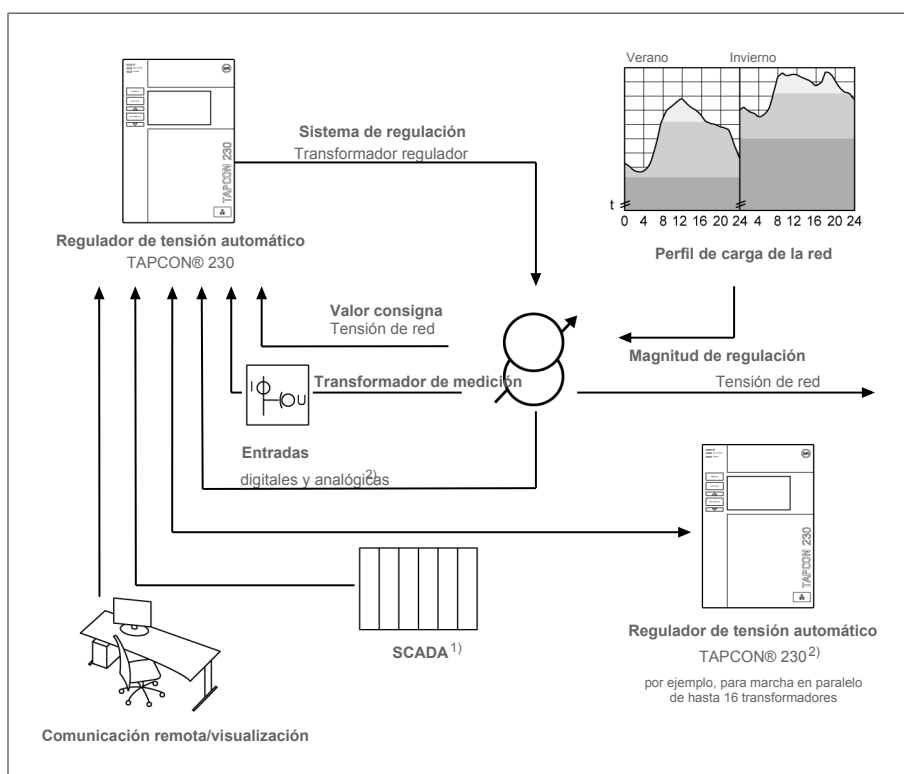


Figura 1: Sinóptico para la regulación de tensión

¹⁾Solo en las variantes TAPCON® 230 Expert y AVT.

²⁾Solo en las variantes TAPCON® 230 Pro, Expert y AVT.

4.2 Volumen de entrega

Compruebe la integridad de la remesa basándose en los documentos de expedición.

- Regulador de tensión
- Cable patch RJ45
- Abrazaderas para blindajes
- Conectores de enchufe
- Abrazaderas de sujeción
- Documentación técnica
- Placa de características adicional
- Carga para el bus CAN
- Carga para el bus RS485

Opcional

- Carcasa para el montaje mural
- En función del tipo de aparato:
 - Ethernet en convertidor de F.O. (módulo SFP)
 - De serie en convertidor de F.O.

4.3 Diseño

4.3.1 Pantalla, elementos de control e interfaz frontal

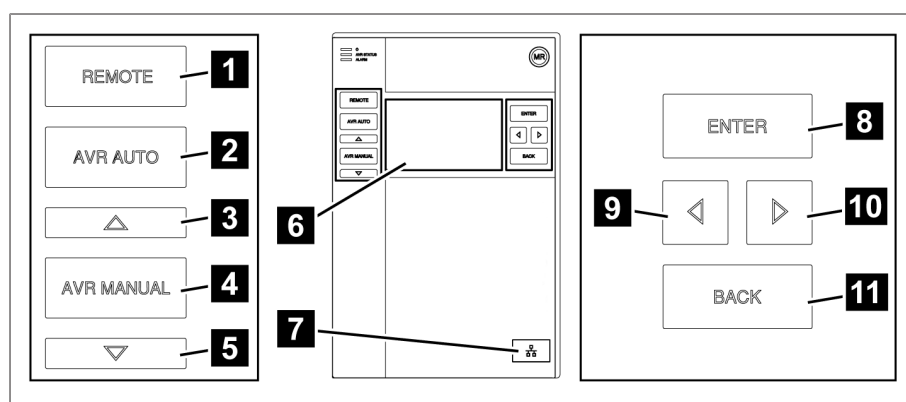


Figura 2: Regulador de tensión

1	Tecla REMOTE ¹¹	Activar el modo de operación REMOTE
2	Tecla AUTO	Activar el modo de operación AUTO
3	Tecla SUBIR ¹²	Enviar una orden de mando al accionamiento a motor para aumentar la tensión.
4	Tecla MANUAL	Activar el modo de operación MANUAL
5	Tecla BAJAR ¹²	Enviar una orden de mando al accionamiento a motor para disminuir la tensión.
6	Display	-
7	Interfaz frontal	Interfaz Ethernet RJ45

¹¹ Tecla sin función, si la conmutación de LOCAL/REMOTE se realiza mediante una entrada digital.

¹² Solo posible en el modo manual.

8	Tecla INTRO	Confirmar la selección/guardar parámetros modificados
9	CURSOR hacia la izquierda	Navegación por el menú hacia la izquierda
10	CURSOR a la derecha	Navegación por el menú hacia la derecha
11	Tecla BACK	Salir del menú actual. Acceder al nivel de menú anterior

4.3.2 LED

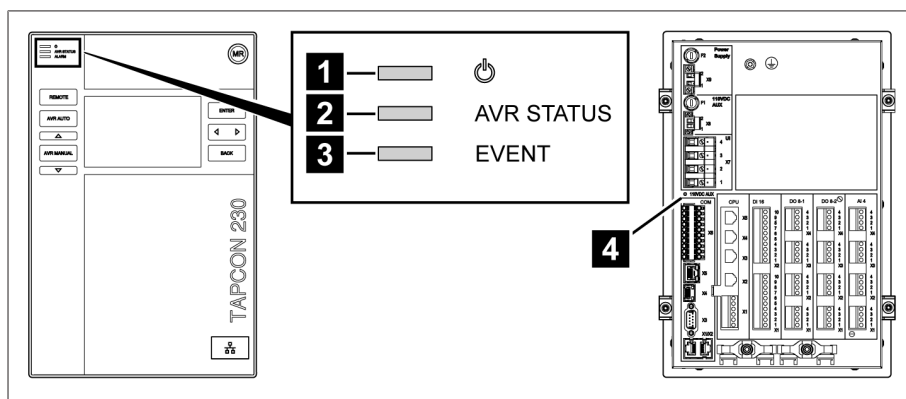


Figura 3: LED

1	LED Alimentación de corriente	Azul	Se enciende si se alimenta el aparato con corriente.
2	LED AVR STATUS	Rojo	Se enciende cuando el aparato se halla en estado de error.
		Amarillo	Se enciende cuando el aparato ha arrancado o se ha detenido; p. ej. en caso de una actualización de software.
		Azul	Se enciende cuando el aparato se halla en estado operativo.
3	LED ALARM	Rojo	Se enciende en cuanto se produce un evento rojo.
		Amarillo	Se enciende en cuanto se produce un evento amarillo.
		Azul	Se enciende si no hay ningún evento pendiente o si se produce un evento gris.
4	LED Salida X8 110 V CC	Amarillo	Se enciende cuando la salida 110 V CC está activa.

4.3.3 Conexiones y fusibles

En la parte trasera del aparato se hallan las conexiones. Encontrará más información sobre las conexiones en el apartado Datos técnicos [► Apartado 8, Página 127].

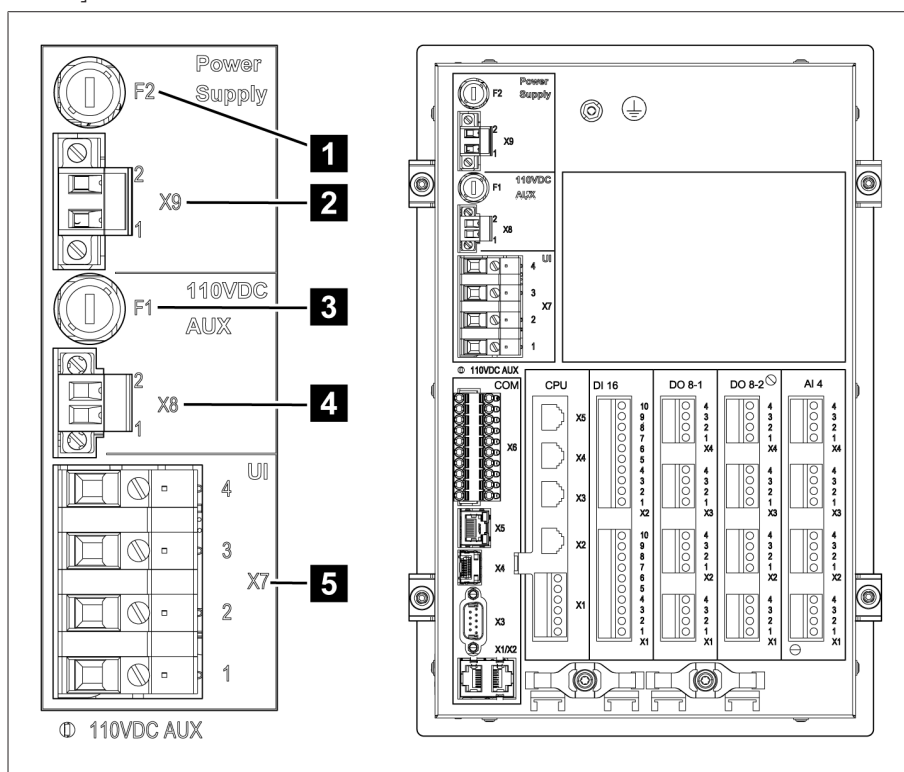


Figura 4: Lado trasero

1	F2	Fusible interno para la alimentación de corriente	2	X9	Alimentación de tensión
3	F1	Fusible interno para la fuente de tensión auxiliar 110 V CC ¹³	4	X8	Fuente de tensión auxiliar 110 V CC AUX ¹³
5	X7	Medición de tensión/medición de corriente			

¹³ Puede utilizarse en aparatos con DI 16-110 V para el suministro de las entradas digitales. Compruebe mediante la denominación de los bornes de conexión situada en la parte posterior del aparato qué variante está a su disposición.

Conexiones y bornes

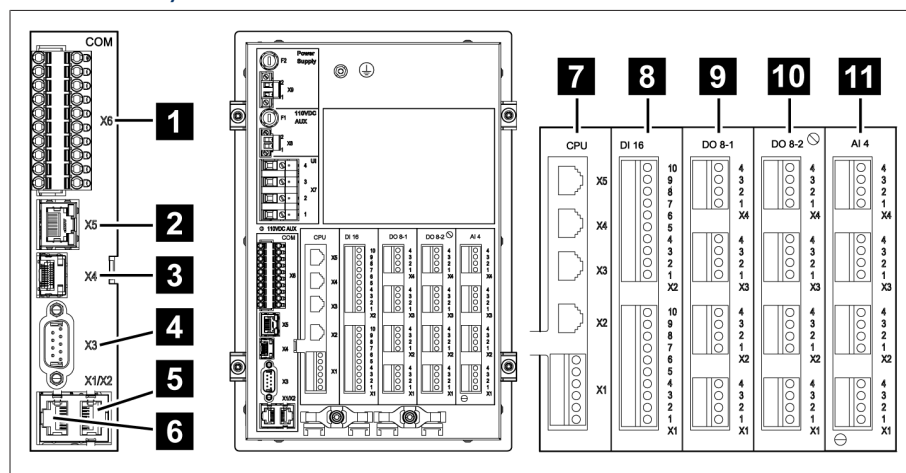


Figura 5: Conexiones/bornes

1	COM-X6	Interfaz de bus CAN ¹⁴ /SCADA RS485 ¹⁵ /corona potenciométrica	2	COM-X5	Interfaz para cable patch para SCADA mediante cable de fibra óptica
3	COM-X4	Cable de fibra óptica ¹⁵ (SFP-Cage para el módulo SFP)	4	COM-X3	Interfaz SCADA RS232 ¹⁵
5	COM-X2	Interfaz para la visualización mediante la interfaz frontal	6	COM-X1	Interfaz para cable patch para RS232 o RS485
7	CPU	Unidad de cálculo central	8	DI 16-110 V DI 16-220V	Entradas digitales ¹⁶
9	DO 8-1	Salidas digitales ¹⁴	10	DO 8-2	Salidas digitales ¹⁴
11	AI 4	Entradas analógicas ¹⁴			

4.3.4 Placa de características

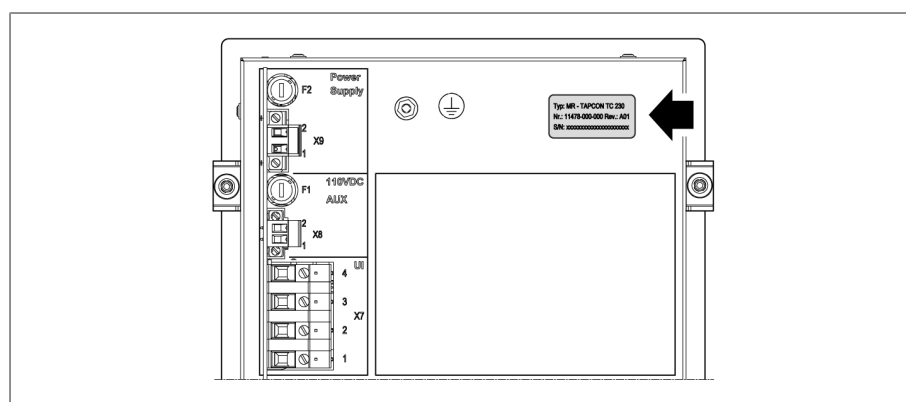



Figura 6: Placa de características en la parte posterior del aparato

¹⁴ Solo en las variantes Pro, Expert y AVT.

¹⁵ Solo en la variante Expert.

¹⁶ Compruebe mediante la denominación de los bornes de conexión situada en la parte posterior del aparato qué variante está a su disposición.

4.3.5 Identificaciones de seguridad

	Advertencia sobre un punto de peligro. Lea las indicaciones de las instrucciones de servicio del producto.
---	--

4.3.6 Esquema de conexiones y tornillo de puesta a tierra

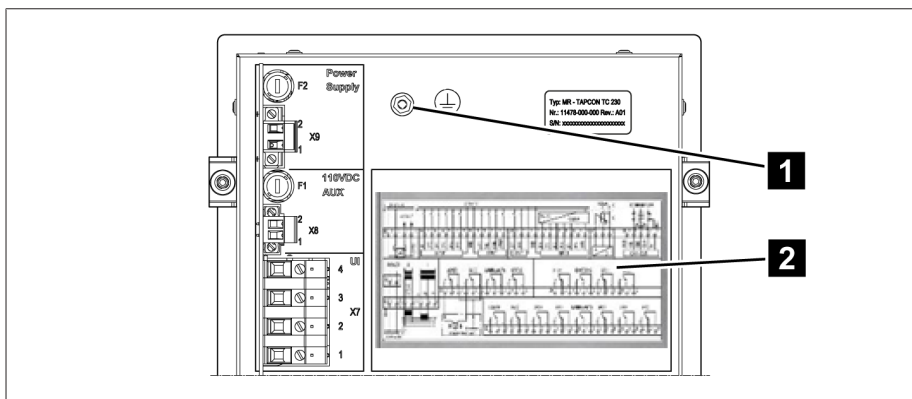


Figura 7: Esquema de conexiones/tornillo de puesta a tierra

1	Tornillo de puesta a tierra	2	Esquema de conexiones
---	-----------------------------	---	-----------------------

4.3.7 Visualización

4.3.7.1 Pantalla principal

Inicio

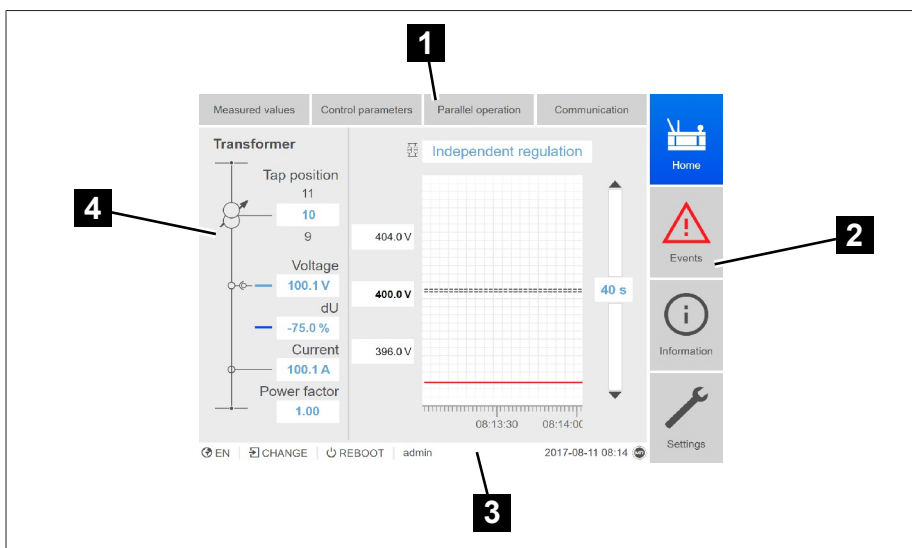


Figura 8: Inicio

1	navegación secundaria o ruta de navegación	2	navegación primaria
3	tabla de estados	4	área de visualización

Valores de medición/visualización

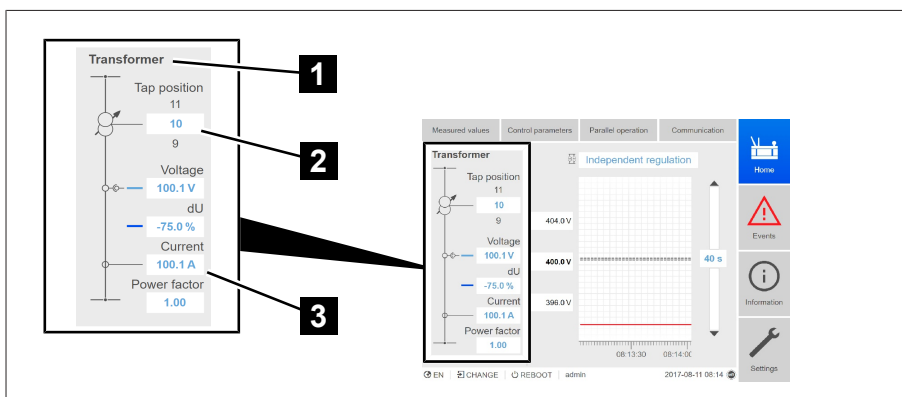


Figura 9: Valores de medición/visualización

1	denominación del transformador (editable)	2	Posición de toma ¹⁷
3	valores de medición actuales: tensión, desviación de regulación con corrección, corriente, factor de potencia		

Valores consigna/valores reales/tiempo de retardo

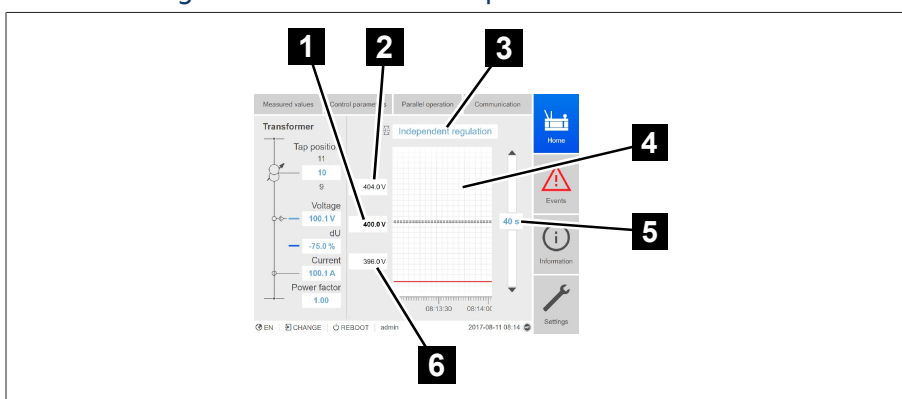


Figura 10: Valores consigna/valores reales/tiempo de retardo

1	Valor consigna	2	límite superior del ancho de banda
3	Modo: servicio individual/servicio en paralelo. ¹⁸	4	evolución de la tensión corregida (corrección debida a la compensación o marcha en paralelo)
5	tiempo de retardo T1/T2 ¹⁹	6	límite inferior del ancho de banda

17 Solo en las variantes TAPCON® 230 Pro, Expert y AVT.

18 Solo en las variantes TAPCON® 230 Pro, Expert y AVT.

19 Tiempo de retardo T2 solo en las variantes TAPCON® 230 Basic, Pro y Expert.

5 Montaje

⚠ PELIGRO



¡Choque eléctrico!

Peligro de muerte a causa de tensión eléctrica. Al trabajar dentro y en instalaciones eléctricas cumpla siempre las siguientes normas de seguridad.

- > Desconecte la instalación.
- > Proteja la instalación contra reconexión.
- > Determine la ausencia de tensión en todos los polos.
- > Realice la puesta a tierra y en cortocircuito.
- > Cubra o proteja piezas colindantes que se hallan bajo tensión.

⚠ ADVERTENCIA



¡Choque eléctrico!

Durante el funcionamiento de un transformador de corriente con circuito de corriente secundario abierto pueden producirse tensiones elevadas peligrosas. Esto puede provocar la muerte, lesiones y daños materiales.

- > Nunca accione los transformadores de corriente con el circuito de corriente secundario abierto, por este motivo el transformador de corriente debe cortocircuitarse.
- > Observe las indicaciones de las instrucciones de servicio del transformador de corriente.

AVISO

¡Daños en el aparato!

Una descarga electrostática puede provocar daños en el aparato.

- > Tome precauciones para evitar la descarga electrostática de las superficies de trabajo y del personal.

5.1 Preparación

Para el montaje necesita la siguiente herramienta:

i

Según el lugar de montaje y la variante de montaje, dado el caso necesitará otra herramienta así como el correspondiente material de fijación, p. ej. tornillos, tuercas y arandelas, no incluido en el volumen de entrega.

- Según la variante de montaje:
 - Sierra de calar eléctrica para el montaje en tablero.
 - Taladro para el montaje mural (montaje mural con carcasa).
- Destornillador para la conexión de las líneas de señal y las líneas de alimentación.

5.2 Distancias mínimas

AVISO

¡Daños en el aparato!

Una circulación insuficiente del aire ambiente puede provocar daños en el aparato a causa de sobrecalentamiento.

- > Mantenga libres las rejillas de ventilación.
- > Prevea una distancia suficiente a los componentes adyacentes.
- > Monte el aparato únicamente en posición horizontal (las rejillas de ventilación se hallan arriba y abajo).

A la base del gabinete de control	Distancia mínima: 88,9 mm (3,5 pulg.) Corresponde a 2 UA
Al techo del gabinete de control	
Entre el aparato y otros módulos en barras de sombrerete escalonadas	

Tabla 2: Distancias mínimas en el gabinete de control

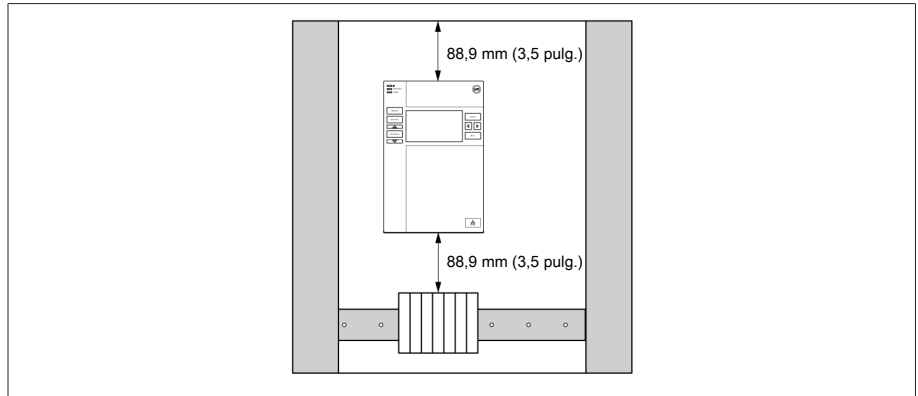


Figura 11: Distancias mínimas

Para otros tipos de montaje póngase en contacto con Maschinenfabrik Reinhausen GmbH.

5.3 Variantes de montaje

5.3.1 Montaje en tablero

Puede montar el aparato mediante abrazaderas de sujeción en un tablero de control. El grosor de pared recomendado es de 2...5 mm.

Dimensiones para el hueco del tablero

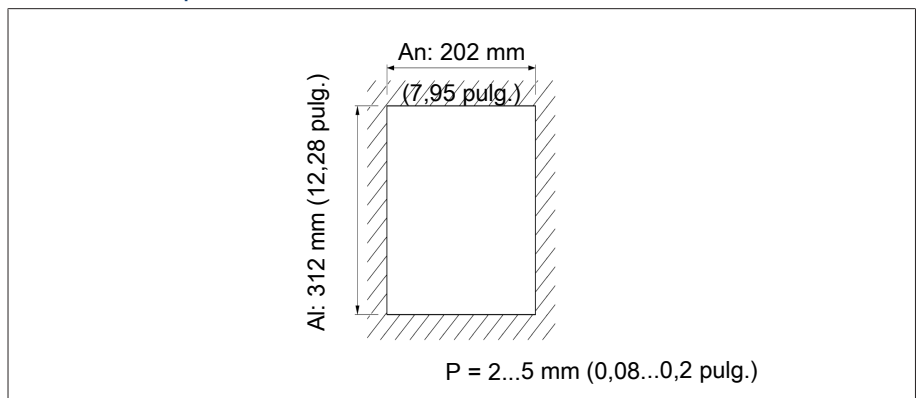


Figura 12: Dimensiones para el hueco

1. Realice un corte en el tablero de control.

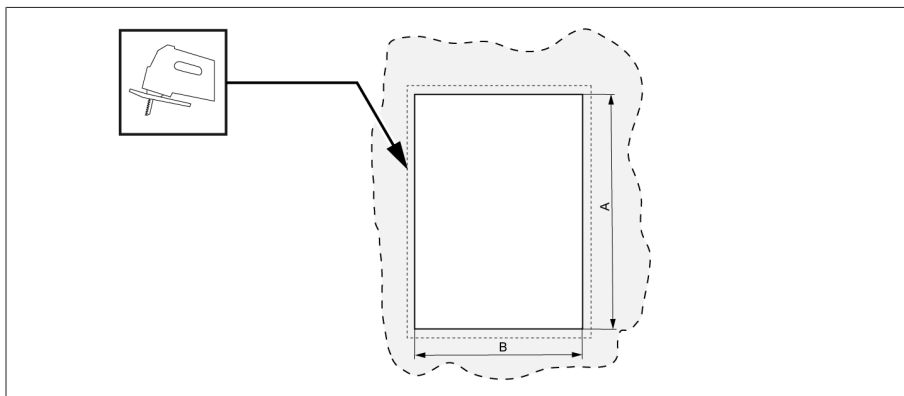


Figura 13: Realización de un corte en el tablero de control

2. Inserte el aparato en el hueco desde la parte delantera.

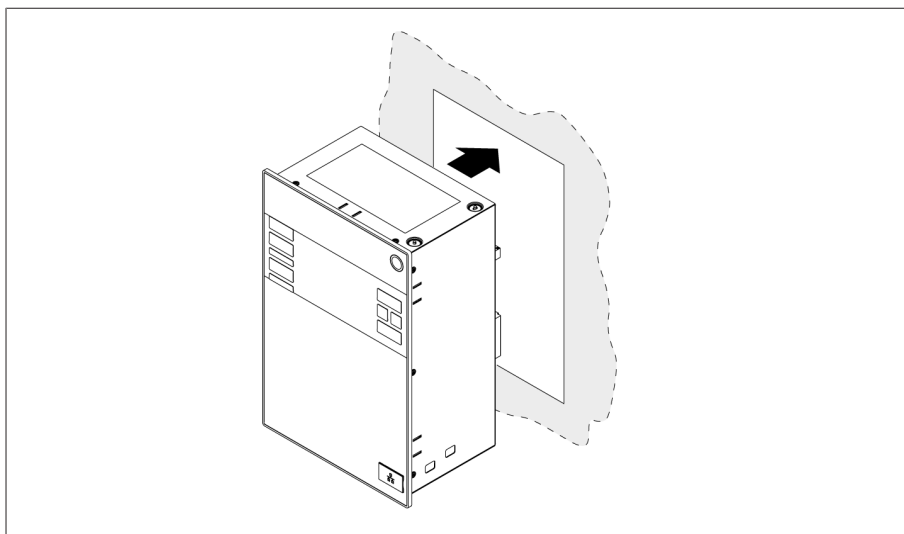


Figura 14: Inserción del aparato en el hueco

3. Introduzca las abrazaderas de sujeción suministradas.

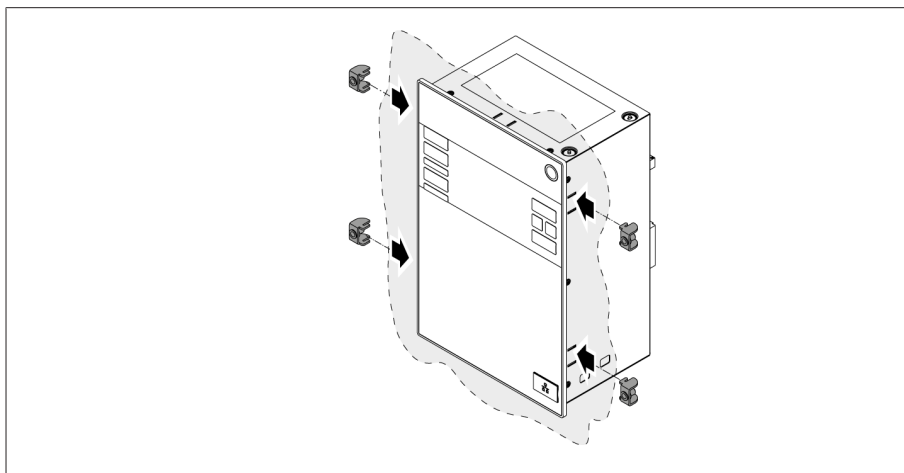


Figura 15: Inserción del aparato en el hueco

4. Atornille los pasadores roscados en las abrazaderas de sujeción y fije el aparato.

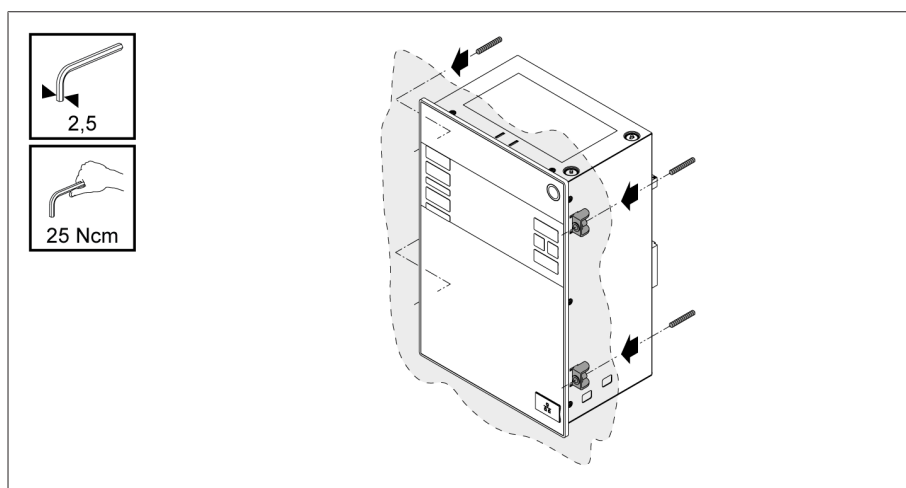


Figura 16: Fijación del aparato

» El aparato está montado y puede realizarse su cableado.

5.3.2 Montaje mural con carcasa (opcional)

Al realizar el montaje mural, el aparato se fija en una carcasa en la pared con soportes murales. Utilice las abrazaderas de sujeción suministradas para montar el aparato en la carcasa.

5.3.2.1 Taladros para el montaje mural

Taladre en la pared según la siguiente plantilla de taladrado 4 taladros cada uno de 6,8 mm de diámetro.

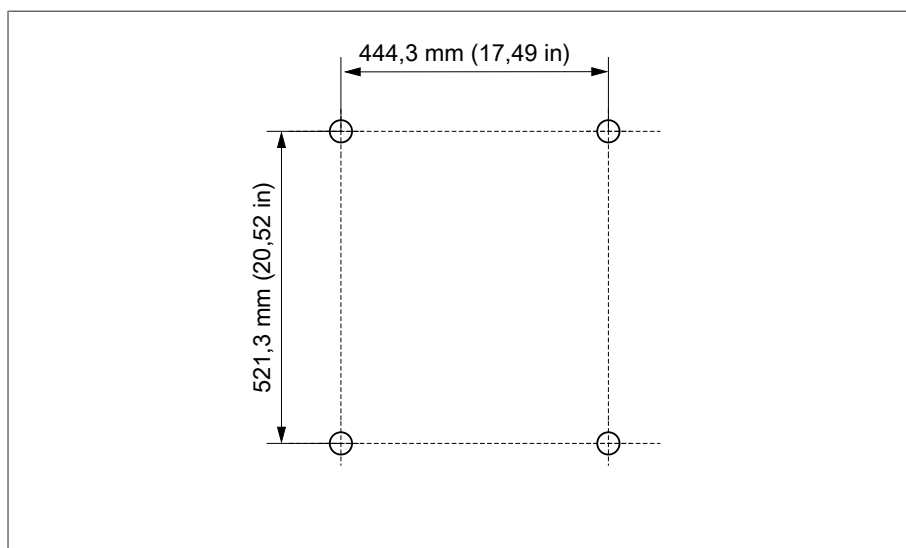


Figura 17: Plantilla de taladrado para la carcasa

5.3.2.2 Instalación de la carcasa en la pared



Los tornillos para el montaje mural no forman parte del volumen de entrega. La longitud de tornillo necesaria depende del grosor de la pared.

- ✓ **¡AVISO!** Daños en la carcasa por puerta abierta. Cierre la puerta de la carcasa para evitar daños durante el montaje mural.
- Fije la carcasa con 4 tornillos M8 en la pared.

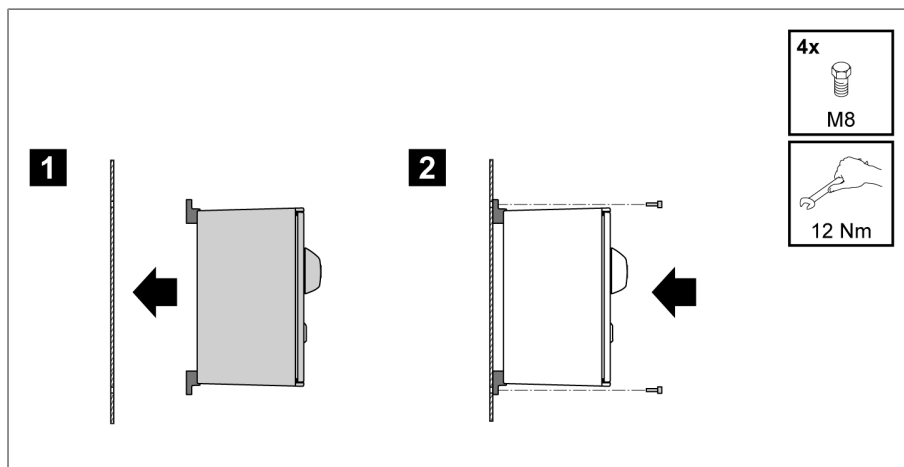


Figura 18: Montaje mural

- » El aparato está montado y puede realizarse su cableado.

Para el cableado proceda según el esquema de conexiones y tal y como se describe en el apartado "Conexión del aparato".

5.3.2.3 Montaje del aparato en la carcasa

- ✓ Abra el marco rebatible de la carcasa.
- 1. Inserte el aparato en el marco rebatible de la carcasa desde la parte delantera.

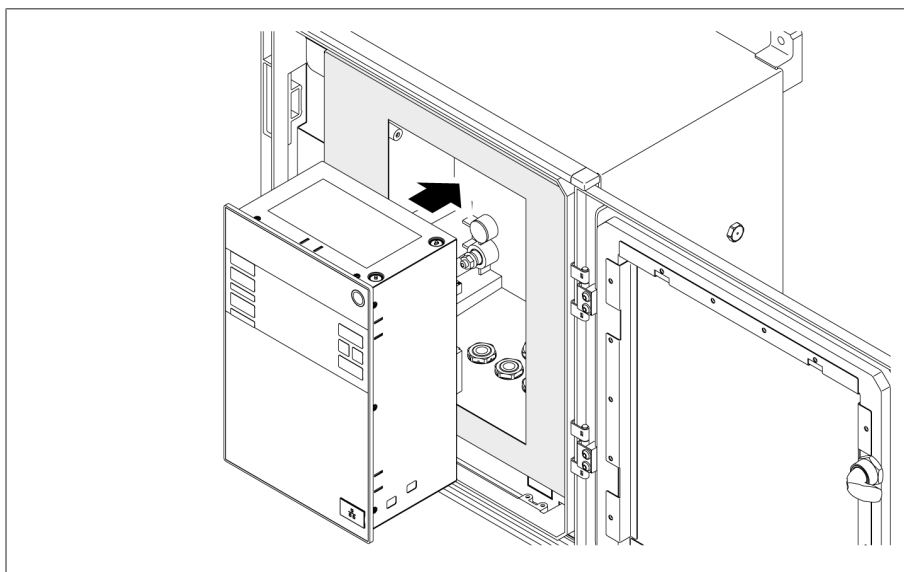


Figura 19: Inserción del aparato en el marco rebatible

2. Introduzca las abrazaderas de sujeción suministradas.

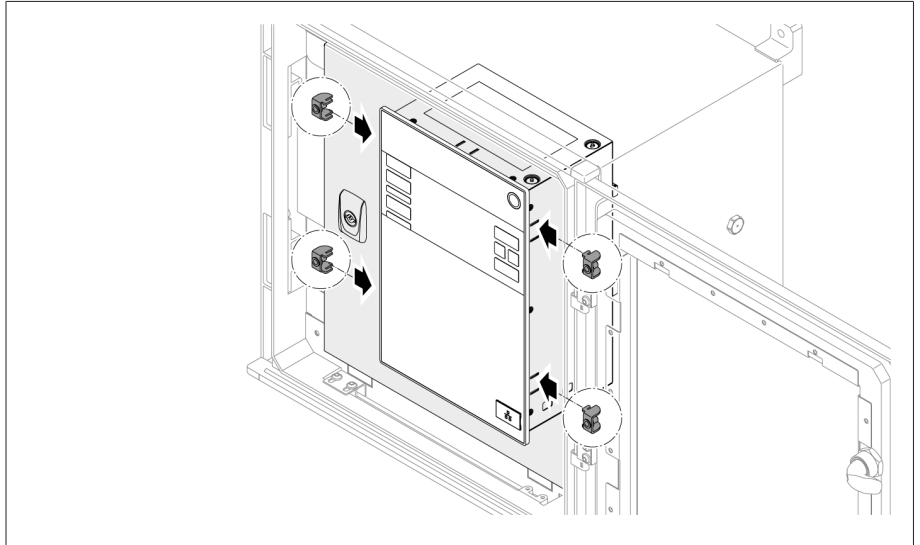


Figura 20: Inserción del aparato en el hueco

3. Atornille los pasadores roscados en el orificio de la abrazadera de sujeción y fije el aparato.

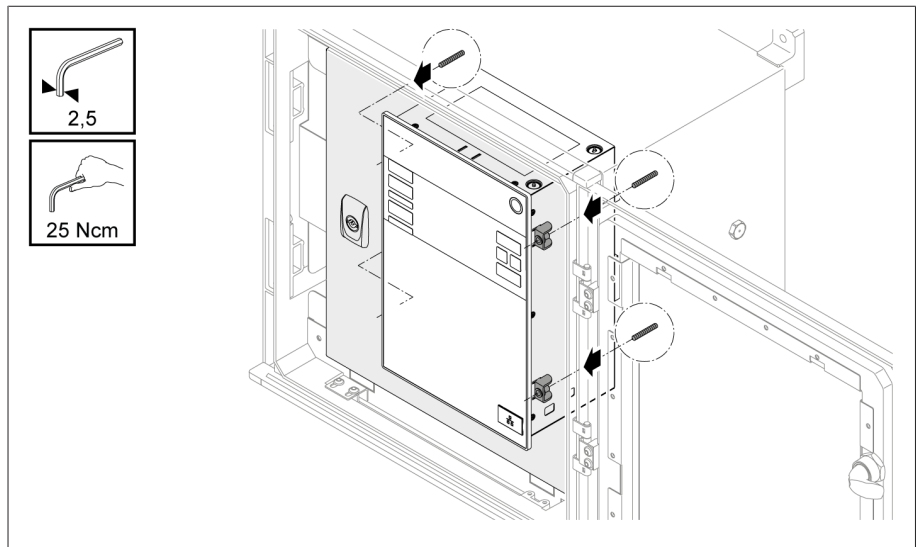


Figura 21: Fijación del aparato

» El aparato está montado y puede realizarse su cableado.

5.4 Conexión del aparato

▲ ADVERTENCIA



¡Choque eléctrico!

Los fallos de conexión pueden provocar la muerte, lesiones y daños materiales.

- > Ponga el aparato a tierra con un conductor de tierra mediante el tornillo de puesta a tierra que se encuentra en la carcasa.
- > Tenga en cuenta la posición de fase de las conexiones secundarias del transformador de corriente y del transformador de tensión.
- > Conecte correctamente el relé de salida al accionamiento a motor.



Suministre tensiones mediante dispositivos de separación y asegúrese de que pueden cortocircuitarse hilos de corriente. Coloque el dispositivo de separación de forma clara y de fácil acceso cerca de la alimentación de corriente del aparato. De este modo, en caso de defecto podrá cambiar el aparato sin problemas.

Indicaciones sobre el cableado

- Al realizar la conexión, para tener una visión general más clara, cablee solo tantas líneas como sean necesarias.
 - Tenga en cuenta el esquema de conexiones [► Apartado 8.14, Página 139].
 - Para el cableado utilice exclusivamente los cables especificados. Tenga en cuenta la recomendación de cables [► Apartado 5.4.1, Página 106].
 - **¡AVISO!** ¡Daños en los bornes! Los tornillos demasiado apretados pueden dañar los bornes de tornillos. Al fijar los bornes de tornillos, asegúrese de que el par de torsión sea 0,4 Nm.
 - Cablee las líneas en la periferia de la instalación.
 - En caso de montaje mural con carcasa (opcional):
 - En caso necesario, al cablear el aparato utilice las atornilladuras de cables debajo de la carcasa.
 - **¡AVISO!** ¡Daños en el aparato! Las atornilladuras de cables abiertas no permiten que se siga garantizando el grado de protección IP. Coloque tapones de cierre en las atornilladuras de cables no utilizadas.
1. Extraiga los enchufes necesarios.
 2. Quite el aislamiento de líneas y conductores de línea.
 3. Engarce los conductores múltiples con punteras.
 4. Introduzca los conductores en los bornes correspondientes de los conectores.
 5. Fije los tornillos de los correspondientes bornes con ayuda de un destornillador.
 6. Conecte el enchufe en los puestos de enchufe correspondientes.
 7. Prevea un mazo de cables con una descarga de tracción.

5.4.1 Recomendación de cables

Al cablear el aparato tenga en cuenta la siguiente recomendación de Maschinenfabrik Reinhausen.



Las capacidades de línea demasiado elevadas pueden impedir que los contactos de relé interrumpan la corriente de contacto. En circuitos de control accionados por corriente alterna, tenga en cuenta la influencia de la capacidad de la línea en líneas de control largas sobre el funcionamiento de los contactos de relé.

Si desea guiar hacia fuera conexiones Ethernet desde un armario de conexiones o desde el edificio, recomendamos el uso de cables de fibra óptica (según la recomendación de IEC 61850-90-4).

Cable	Interfaz	Tipo de cable	Sección del conductor	Longitud máx.
Alimentación de corriente (externa)	X9	no blindado	1,5 mm ²	-
Medición de tensión	UI-X7	blindado	2,5 mm ²	-
Medición de corriente	UI-X7	no blindado	2,5 mm ²	-
Entradas de señal digitales	DI 16	blindado	1,5 mm ²	400 m (<25Ω/km)
Salidas de señal digitales ²⁰	DO 8	blindado	1,5 mm ²	-
Entradas de señal analógicas	AI 4	blindado	1 mm ²	400 m (<25Ω/km)
RS232, D-SUB de 9 polos	COM-X3	blindado	0,25 mm ²	25 m
RS485	COM-X6	blindado	0,25 mm ²	140 m
Bus CAN	COM-X6	blindado	0,75 mm ²	2000 m (todo el bus CAN)
Ethernet RJ45	X2, X3	mín. cat 5, blindado S/FTP	-	100 m
Ethernet F.O.	COM-X4	Duplex LC multimodo, Om3, 1310 nm	-	2000 m
Salida 110 V CC	X8	no blindado	1,5 mm ²	-
Cable patch RJ45	-	mín. cat 5, blindado S/FTP	-	aprox. 30 cm

Tabla 3: Recomendación para cables de conexión

5.4.2 Compatibilidad electromagnética

El aparato se ha diseñado conforme a los estándares CEM pertinentes. Con el fin de que se mantengan los estándares CEM, deben tenerse en cuenta los puntos siguientes.

5.4.2.1 Requisito sobre el cableado en el lugar de montaje

Al elegir el lugar de montaje tenga en cuenta las siguientes indicaciones:

- La protección contra sobretensiones de la instalación debe estar activa
- La puesta a tierra de la instalación debe cumplir las normas de la técnica
- Las partes de la instalación separadas deben estar conectadas con una conexión equipotencial.
- El aparato y su cableado deben mantener una distancia mínima de 10 m con los interruptores de potencia, seccionadores de potencia y carriles conductores.

²⁰ Tenga en cuenta la capacidad de la línea, véase la indicación de arriba.

5.4.2.2 Requisito sobre el cableado del lugar de servicio

Al cablear el lugar de servicio tenga en cuenta las siguientes indicaciones:

- Tienda los conductores de conexión en canales para cables puestos a tierra.
- Las líneas con interferencias (p. ej. líneas de alimentación) y las líneas susceptibles de sufrir interferencias (p. ej. líneas de señal) no deben introducirse en el mismo canal para cables.
- Mantenga una distancia superior a 100 mm entre las líneas con interferencias y las líneas susceptibles de sufrir interferencias.

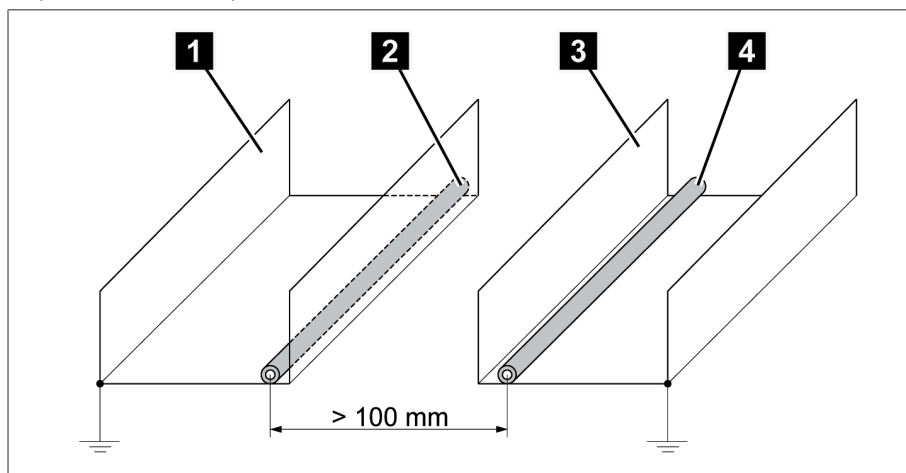


Figura 22: Disposición de la línea recomendada

1	canal para cables para líneas con interferencias	3	canal para cables para líneas susceptibles de sufrir interferencias
2	línea con interferencias (p. ej. línea de alimentación)	4	línea susceptible de sufrir interferencias (p. ej. línea de señal)

- Ponga en cortocircuito y conecte a tierra las líneas de reserva.
- En ningún caso conecte el aparato a una línea colectora de cuatro hilos.
- Para la transmisión de señales utilice líneas blindadas con conductores individuales trenzados por pares (conductor de avance/conductor de retorno).
- Conecte el blindaje en toda la superficie (360°) al aparato o a un carril con conexión a tierra cercano.



La utilización de conductores individuales puede afectar negativamente a la eficacia del blindaje. Sujete el blindaje brevemente y en toda la superficie.

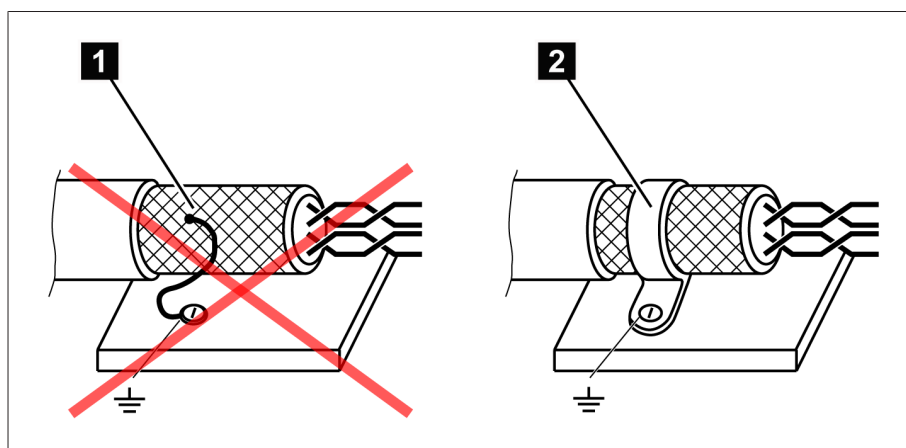


Figura 23: Conexión recomendada del blindaje

1	conexión del blindaje mediante un conductor individual	2	conexión del blindaje en toda la superficie
---	--	---	---

5.4.2.3 Requisito sobre el cableado en el armario de conexiones

Al cablear en el armario de conexiones tenga en cuenta las siguientes indicaciones:

- El armario de conexiones para el montaje del aparato debe prepararse de acuerdo con CEM:
 - división funcional del armario de conexiones (separación espacial)
 - conexión equipotencial sin interrupciones (todas las piezas metálicas están unidas)
 - disposición de la línea según CEM (separación de líneas con interferencias y líneas susceptibles de sufrir interferencias)
 - efecto de blindaje óptimo (caja metálica)
 - protección contra sobretensiones (protección contra los rayos)
 - colector de tierra (carril de puesta a tierra principal)
 - boquillas de paso según CEM
 - las bobinas de contactor disponibles deben estar conectadas
- Los cables de conexión del aparato deben estar tendidos de forma estanca en la caja metálica con puesta a tierra o en canales para cables metálicos con puesta a tierra.
- Las líneas de señal y de potencia/líneas de conmutación deben tenderse en canales para cables separados.
- La puesta a tierra [► Apartado 5.4.12.2, Página 119] del aparato debe realizarse en el tornillo previsto para ello con un cable de puesta a tierra.

5.4.3 Conexión de líneas en la periferia de la instalación



Al realizar la conexión, para tener una visión general más clara, cablee solo tantas líneas como sean necesarias.

Para conectar las líneas en la periferia de la instalación, proceda según se indica a continuación:

- ✓ Para el cableado utilice exclusivamente cables especificados. Tenga en cuenta la recomendación de cables [► Apartado 5.4.1, Página 106].
- > Las líneas que deben cablearse con el aparato deben conectarse en la periferia de la instalación según los esquemas de conexiones suministrados.

5.4.4 Conexión de bus CAN



Solo disponible en las variantes TAPCON® 230 Pro, Expert y AVT.

5.4.4.1 Blindaje del bus CAN

Para un servicio sin fallos del bus CAN, debe conectar el blindaje según una de las siguientes variantes. Si no puede aplicar ninguna de las variantes indicadas abajo, recomendamos el uso de cables de fibra de vidrio. Los cables de fibra de vidrio desacoplan los aparatos y son insensibles a las magnitudes perturbadoras electromagnéticas (Surge y Burst).

¡Daños en el aparato!

Si conecta el cable de bus CAN a aparatos que se hallan en un potencial distinto, es posible que se produzca una corriente a través del blindaje. Esta corriente puede provocar daños en el aparato.

- > Conecte los aparatos para la conexión equipotencial a una barra ómnibus equipotencial.
- > Si ambos aparatos se hallan en un potencial distinto, conecte el blindaje del cable de bus CAN solo en un aparato.

Variante 1: los aparatos conectados se hallan al mismo potencial

1. Conecte todos los aparatos para la conexión equipotencial a una barra de conexión equipotencial.
2. Conecte el blindaje del cable de bus CAN a todos los aparatos conectados.

Variante 2: los aparatos conectados se hallan a potencial distinto



Tenga en cuenta que la eficacia del blindaje es más baja en esta variante.

- ✓ Conecte el blindaje del cable de bus CAN **solo en un** aparato.
- ✓ Conecte los conductores del cable de bus CAN blindado en los pines 10 (CAN H); 9 (CAN GND) y 8 (CAN L) del conector COM-X6.

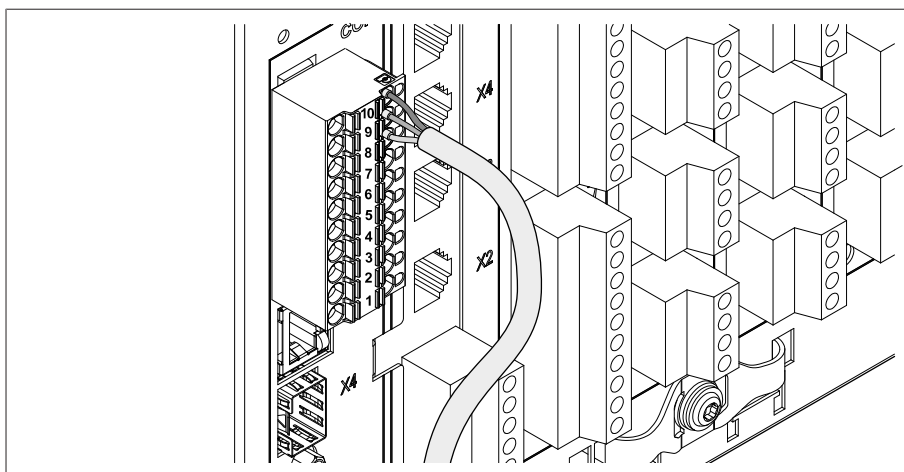


Figura 24: Conexión de los conductores en los pines 10; 9; 8

- > Aplique el blindaje del cable, atorníllelo con el borne de apantallado suministrado y fíjelo con una descarga de tracción (brida de cables).

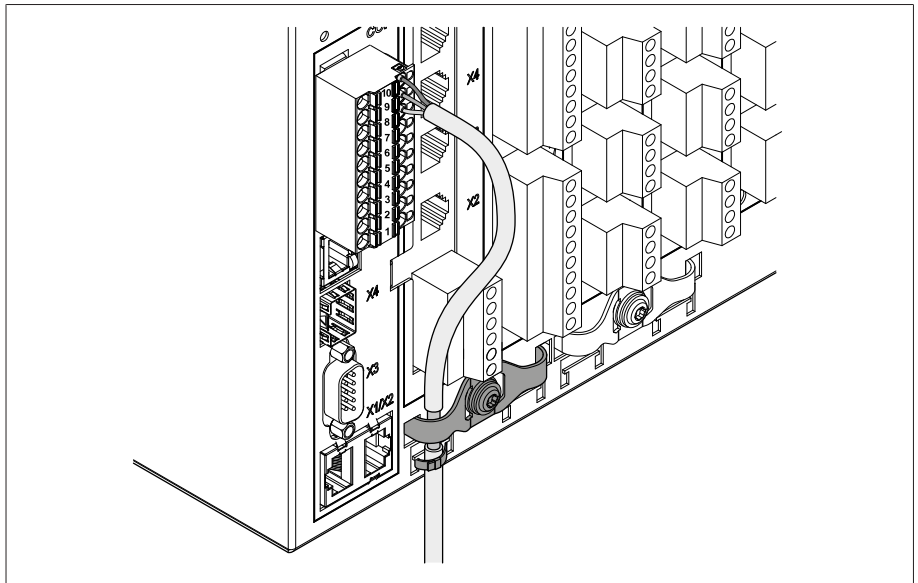


Figura 25: Borne de apantallado y descarga de tracción

5.4.4.2 Montaje de la carga óhmica del bus CAN

Si desea accionar el aparato en el servicio en paralelo, debe montar una carga de 120 Ω en ambos extremos del bus CAN.

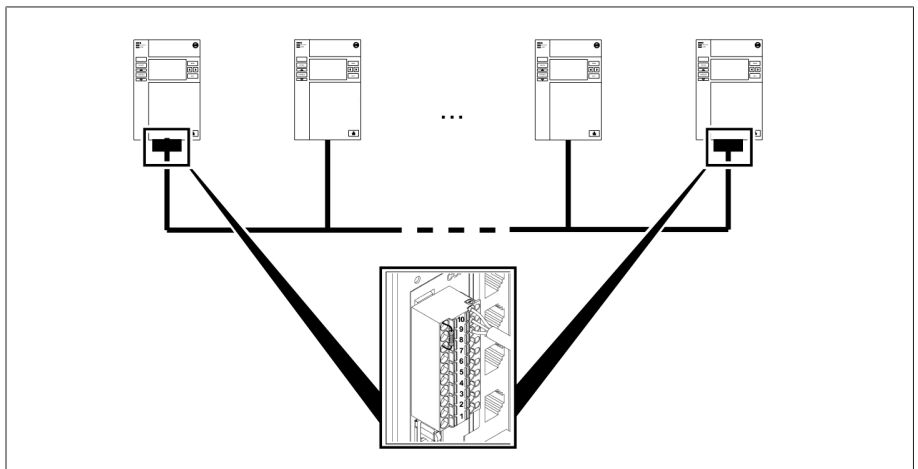


Figura 26: Carga del bus CAN

- > Monte la carga en los pines 10; 9 y 8 del conector COM-X6.

5.4.5 Conexión de SCADA



Solo disponible en las variantes TAPCON® 230 Expert y AVT.

AVISO

¡Daños en el aparato!

El uso de cables de datos incorrectos puede provocar daños en el aparato.

- > Utilice únicamente cables de datos según la siguiente descripción.

En función del sistema de control utilizado, debe conectar el aparato con una de las siguientes variantes.

5.4.5.1 Interfaz serial RS485 (COM-X6)

Si desea utilizar la interfaz serie RS485, debe montar en ambos extremos del bus RS485 una resistencia final de 120 Ω .

1. Conecte los conductores del cable blindado en los pines 7 (Data +); 6 (GND) y 5 (Data-) del conector COM-X6.

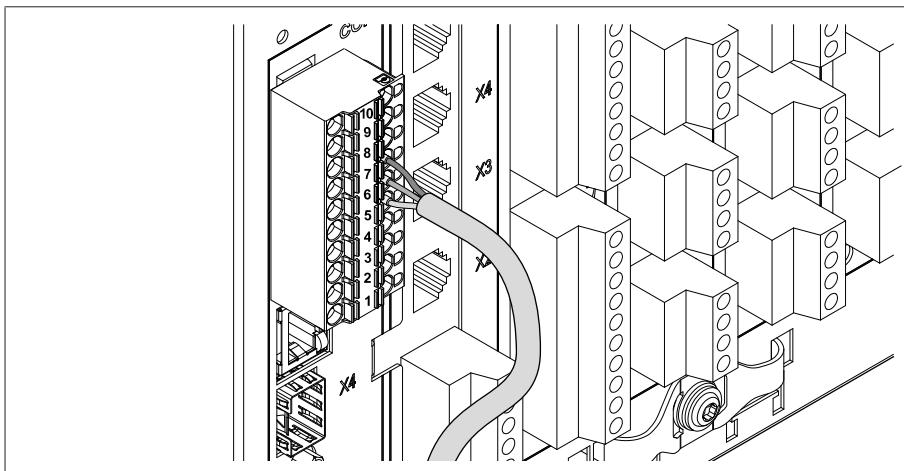


Figura 27: Conexión de los conductores en los pines 7; 6; 5

2. Aplique el blindaje del cable, atorníllelo en el borne de apantallado suministrado y fíjelo con una descarga de tracción (brida de cables).

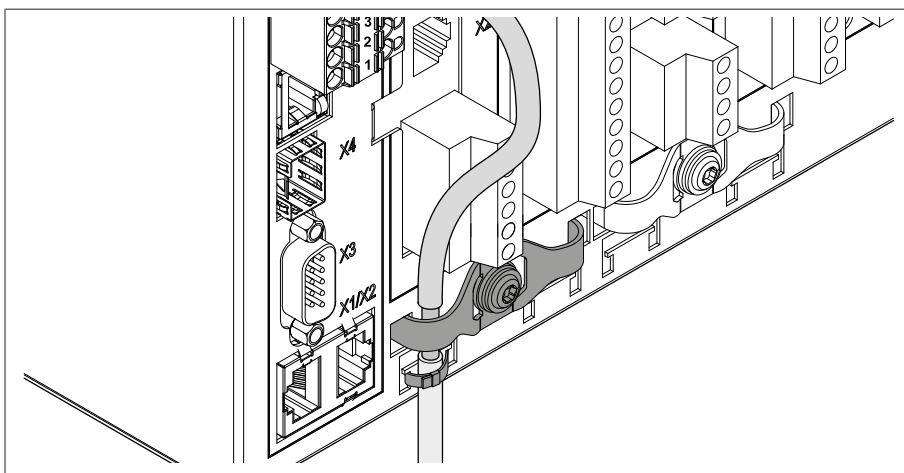


Figura 28: Borne de apantallado y descarga de tracción

3. Conecte entre sí la interfaz RJ45 COM-X1 y la interfaz CPU-X4 mediante el cable patch.

5.4.5.2 Interfaz serial RS232 (D-SUB de 9 polos)

Cables de datos

Para la conexión del aparato mediante la interfaz RS232 utilice un cable de datos según el siguiente diseño:

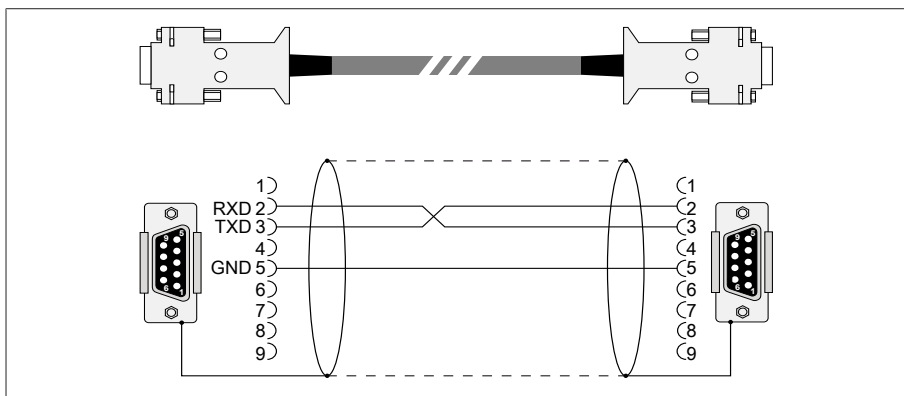


Figura 29: Cable de datos RS232 (9 polos)

Conexión de conector D-SUB de 9 polos

Utilice únicamente conectores D-SUB de 9 polos con las siguientes propiedades:

- La carcasa de conector es metálica o metalizada
- El blindaje del cable está conectado al conector según una de las dos variantes siguientes:
 - El blindaje está atornillado con la descarga de tracción.
 - El blindaje está soldado con la carcasa del conector.

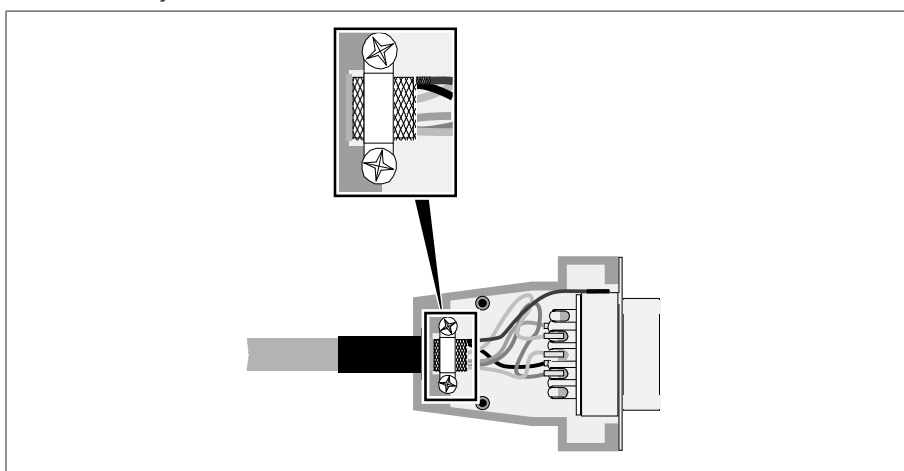


Figura 30: Ejemplo de un blindaje soldado en la carcasa del conector

Conexión

1. Conecte el conector D-Sub de 9 polos a la interfaz COM-X3.
2. Conecte la interfaz RJ45 COM-X1 con la interfaz CPU-X5 mediante el cable patch suministrado.

5.4.5.3 Cable de fibra óptica

Tenga en cuenta para ello las indicaciones del fabricante del cable de fibra óptica, así como las indicaciones siguientes para garantizar una transmisión de datos sin fallos:

- No debe excederse el límite inferior de los radios de flexión mínimos admisibles (no doblar el cable de fibra óptica).
- Las fibras de los cables de fibra óptica no deben sobreextenderse ni aplastarse. Tenga en cuenta los respectivos valores de carga admisibles.
- Las fibras de los cables de fibra óptica no deben torcerse ni trenzarse.

- Preste atención a los cantos puntiagudos, ya que podrían dañar el revestimiento del cable de fibra óptica al tenderlo o cargar mecánicamente posteriormente el revestimiento.
- Tenga prevista una reserva de cables suficiente en el ámbito de los armarios de distribución. Tienda la reserva de manera que el cable de fibra óptica no se doble ni tuerza al arrastrarlo.

Cable de fibra óptica 1310 nm multimodo

1. Inserte el módulo SFP en la interfaz COM-X4 **1** y pliegue el estribo **2**.

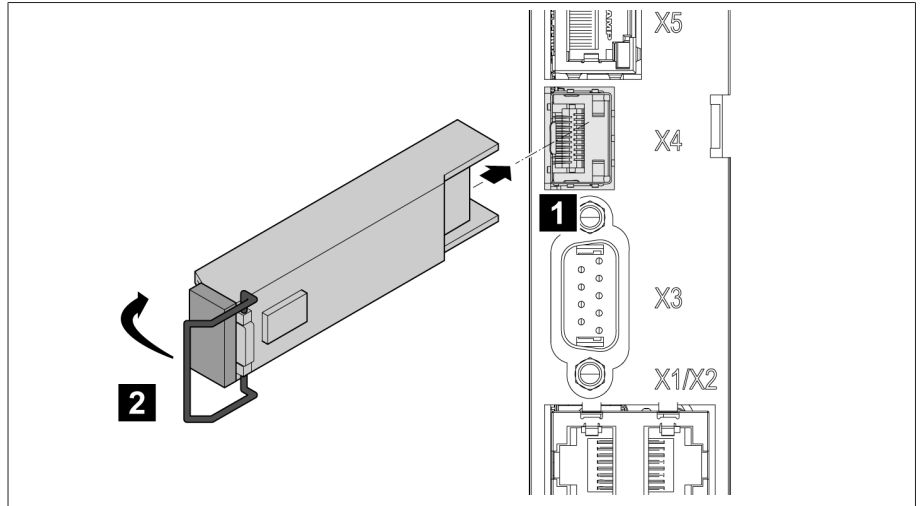


Figura 31: Enclavamiento del módulo SFP

2. Retire el conector de polvo del módulo SFP.

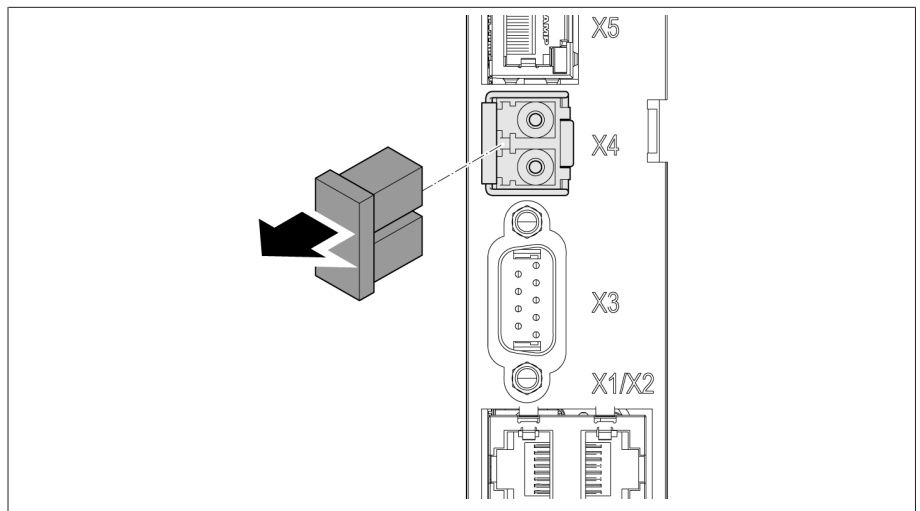


Figura 32: Desmontaje de la protección contra el polvo

3. Conecte el cable de fibra óptica con LC-Duplex en el módulo SFP COM-X4.

4. Conecte entre sí las interfaces COM-X5 y CPU-X2 con el cable patch suministrado.

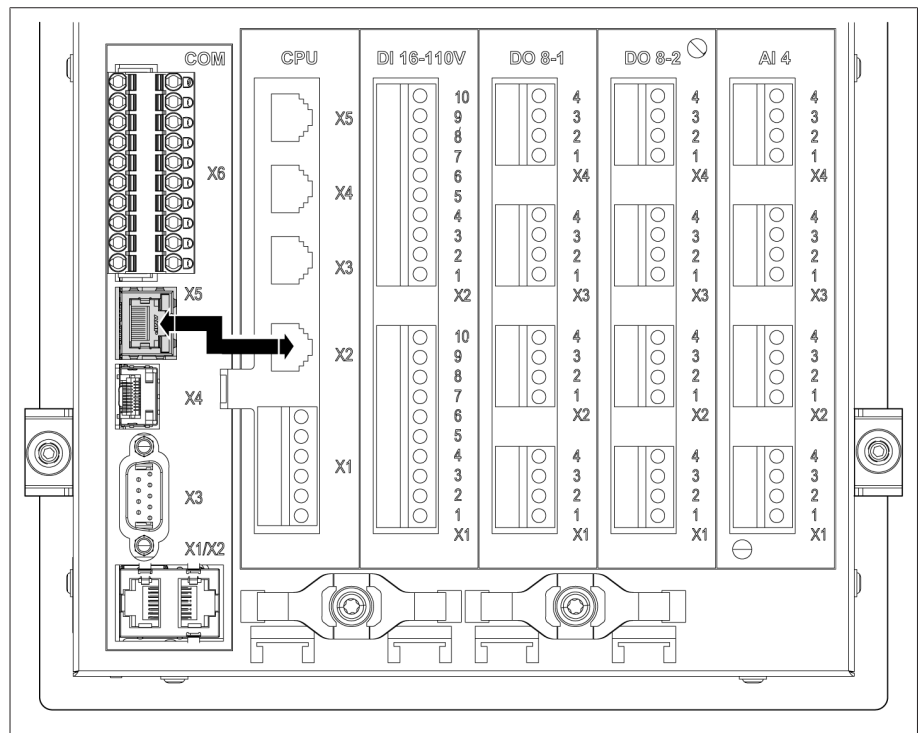


Figura 33: Conexión de CPU-X5 y COM-X2

Cable de fibra óptica serial

Si desea conectar su sistema de control mediante un cable de fibra óptica serial, necesitará el convertidor de F.O. CM-0847

> Conecte el cable de fibra óptica serial y el convertidor a la interfaz CPU-X5.

5.4.5.4 Interfaz Ethernet

> Conecte el cable Ethernet (conector RJ45) a la interfaz CPU-X3.

5.4.6 Cableado de la medición de tensión/medición de corriente UI

Debe proteger el circuito eléctrico para la medición de tensión según la sección del conductor utilizada. Puede utilizar los siguientes tipos de fusible:

	Interruptores automáticos	Fusible
Norma	IEC 60947-2	IEC 60269
Tensión nominal	400 V (L-L) o 230 V (L-N)	
Corriente asignada	30 mA...16 A	
Característica	B, C, K o Z	rápido, semirretardado o lento
Capacidad de ruptura asignada	50 kA En caso de instalación según IEC 61010-2-30 CAT II: 10 kA	

Tabla 4: Tipos de fusible admisibles

1. Medición de tensión: guíe los conductores en los bornes UI:X7-4 (conductor N) y UI:X7-3 (conductor L) y fíjelos con un destornillador.

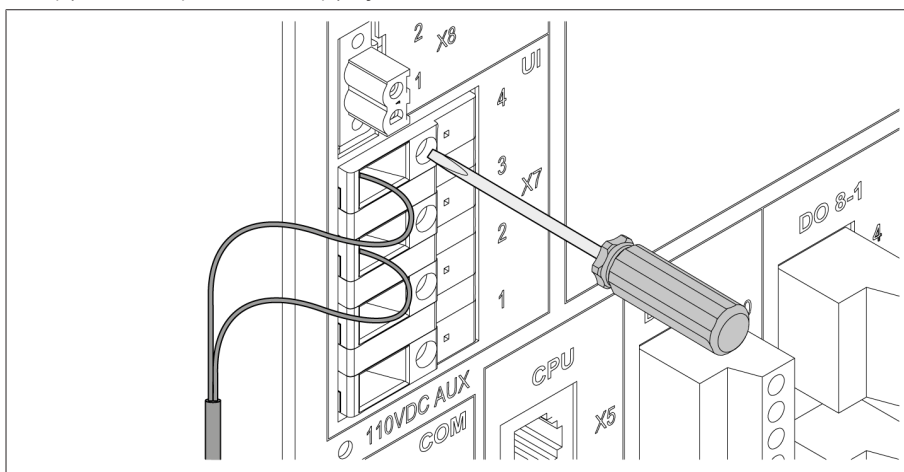


Figura 34: UI:X7-4/3

2. Medición de corriente: guíe los conductores en los bornes UI:X7-2 (l) y UI:X7-1 (k) y fíjelos con un destornillador.

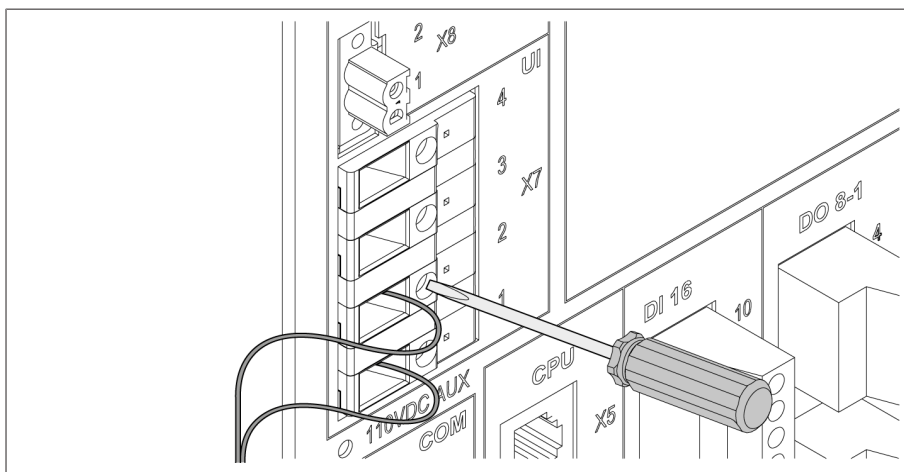


Figura 35: UI:X7-2/1

5.4.7 Cableado de entradas analógicas AI

AVISO

¡Daños en el aparato y en sensores!

Las entradas/salidas analógicas mal conectadas y configuradas pueden provocar daños en el aparato y el sensor.

- > Siga las indicaciones para la conexión de sensores analógicos.
- > Configure las entradas y salidas según los sensores conectados.

Puede conectar los siguientes tipos de sensores analógicos:

- 0/4...20 mA
- 0...10 V
- PT100/PT1000 (conductor de 2 hilos, conductor de 3 hilos, conductor de 4 hilos) indirectamente mediante transductor de medición

Para que las señales analógicas se registren correctamente, debe colocarse el blindaje del cable en la barra colectora de tierra. El blindaje del cable debe retirarse lo más cerca posible de la conexión para que el tramo con cables sin blindaje sea el mínimo posible. La conexión del blindaje debe realizarse con abrazaderas para blindajes.

Esquema de conexiones de bloque y variantes de conexión

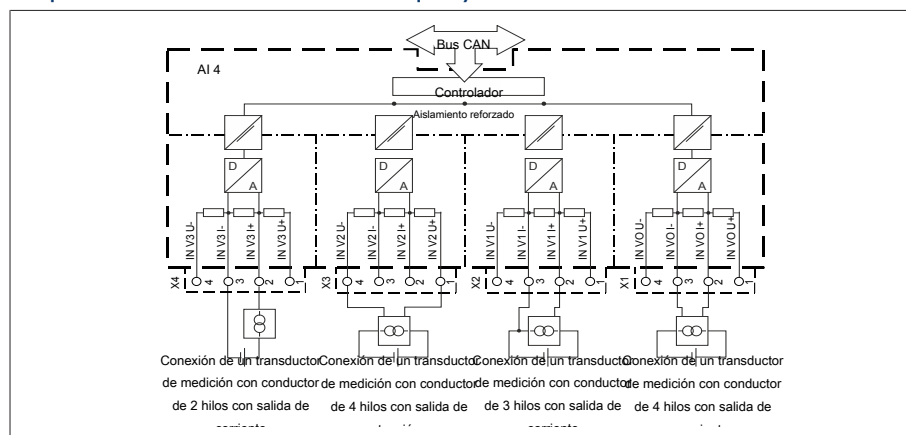


Figura 36: Esquema de conexiones de bloque para entradas analógicas

1. Introduzca los conductores en el borne del conector y fíjelos con ayuda de un destornillador.
2. Inserte el conector en la correspondiente ranura según el esquema de conexiones [► Apartado 8.14, Página 139] y atorníllelo.

5.4.8 Cableado de entradas digitales DI 16-110 V

Si el aparato dispone de las conexiones DI 16-110 V, estas deben alimentarse con una tensión auxiliar de 110 V CC.

● Compruebe mediante la denominación de los bornes de conexión situada en la parte posterior del aparato qué variante está a su disposición.

1. Introduzca los conductores según el esquema de conexiones [► Apartado 8.14, Página 139] en el borne del conector DI 16-110 V y fíjelos con ayuda de un destornillador.
2. Inserte el conector en la correspondiente ranura y atorníllelo.

Alimentación de corriente auxiliar para entradas digitales

1. Introduzca los conductores en el borne X8:2 y X8:1 del conector X8 según el esquema de conexiones [► Apartado 8.14, Página 139] y fíjelos con ayuda de un destornillador.
2. Inserte el conector en la correspondiente ranura y atorníllelo.

5.4.9 Cableado de entradas digitales DI 16-220 V

Si el aparato dispone de las conexiones DI 16-220 V, proceda según se indica a continuación:

● Compruebe mediante la denominación de los bornes de conexión situada en la parte posterior del aparato qué variante está a su disposición.

1. Introduzca los conductores según el esquema de conexiones [► Apartado 8.14, Página 139] en el borne del conector DI 16-220 V y fíjelos con ayuda de un destornillador.
2. Inserte el conector en la correspondiente ranura y atorníllelo.

5.4.10 Cableado de salidas digitales DO

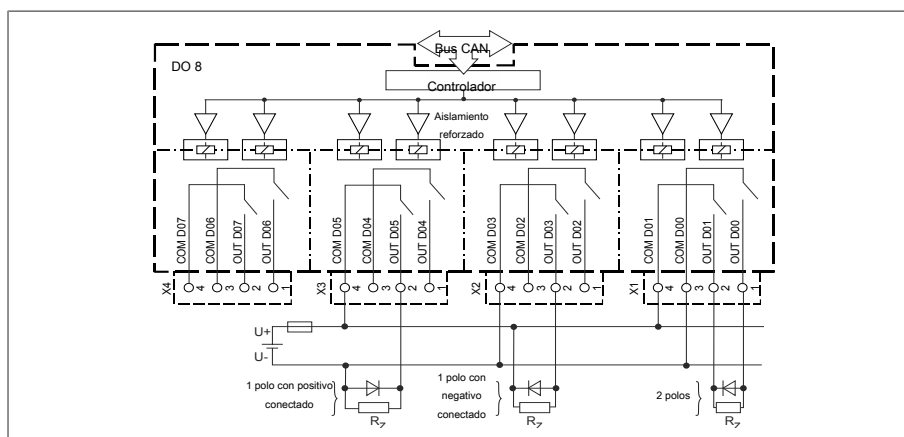


Figura 37: Esquema de conexiones de bloque para salidas digitales

1. Introduzca los conductores en el borne del conector esquema de conexiones y fíjelos con ayuda de un destornillador.
2. Inserte el conector en la correspondiente ranura y atorníllelo.

5.4.11 Cableado de la corona potenciométrica

Conecte la corona potenciométrica en las interfaces COM X6 y AI 4 según el esquema de conexiones [► Apartado 8.14, Página 139].

5.4.12 Alimentación de corriente y puesta a tierra

5.4.12.1 Conexión de la alimentación de corriente

El aparato solo puede conectarlo a circuitos de corriente que dispongan de un dispositivo de protección contra sobrecorrientes externo y un dispositivo seccionador para todos los polos para poder conectar sin tensión la instalación en caso de necesidad (reparación, mantenimiento, etc.).

Los medios adecuados pueden ser dispositivos seccionadores según IEC 60947-1 e IEC 60947-3 (p. ej. interruptores de potencia). Al seleccionar el tipo de seccionador tenga en cuenta las propiedades de los correspondientes circuitos de corriente (tensión, corrientes máximas). Tenga en cuenta además lo siguiente:

- el dispositivo seccionador debe ser fácilmente accesible para el usuario
- el dispositivo seccionador debe estar identificado para el aparato a aislar y los circuitos de corriente a aislar
- el dispositivo seccionador no puede ser un componente de la línea de red
- el dispositivo seccionador no puede interrumpir el conductor protector principal

Interruptores automáticos Debe proteger por fusible el circuito de corriente de alimentación con un interruptor automático. El interruptor automático debe poseer las siguientes propiedades:

- Corriente asignada: 6...10 A
- Característica de disparo: C, K o Z

Sección del conductor Para el circuito de corriente de alimentación utilice una sección del conductor según el interruptor automático que haya seleccionado, aunque como mínimo de 1,5 mm² (AWG 15).

Conexión de la alimentación de corriente

- Conecte la alimentación de corriente según el esquema de conexiones [► Apartado 8.14, Página 139] y ponga a tierra el aparato.

5.4.12.2 Conexión de la puesta a tierra

- Retire las tuercas y arandelas del tornillo de puesta a tierra.
- Coloque el cable de puesta a tierra y el hilo de puesta a tierra del cable de alimentación de corriente en el tornillo de puesta a tierra del aparato y fíjelos con la tuerca y la arandela.

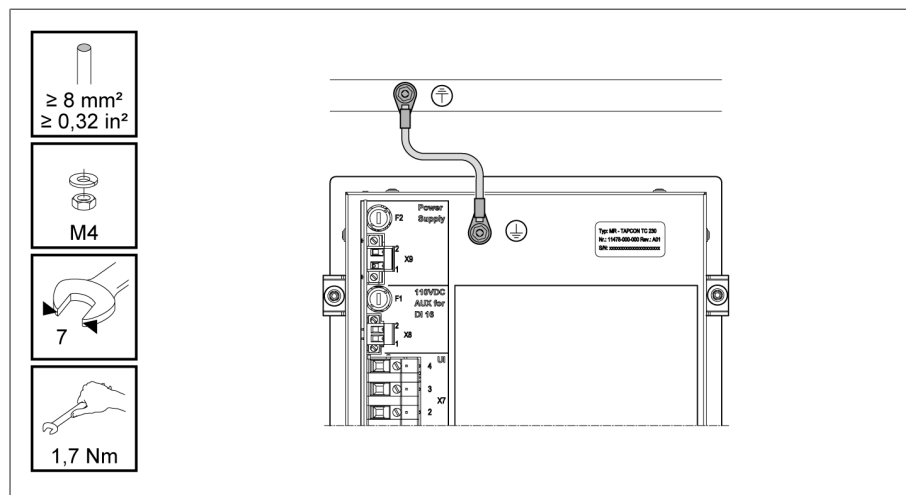


Figura 38: Conexión del cable de puesta a tierra

5.4.12.3 Conexión de la puesta a tierra del aparato con la carcasa (opcional)

Si ha integrado el aparato en una carcasa, realice la puesta a tierra según sigue:

- ✓ El marco rebatible está abierto.
- Guíe un cable de puesta a tierra mediante un prensacables.
 - Suelte el tornillo de puesta a tierra de la carcasa y conecte el cable de puesta a tierra en el punto neutro de la carcasa previsto para ello.

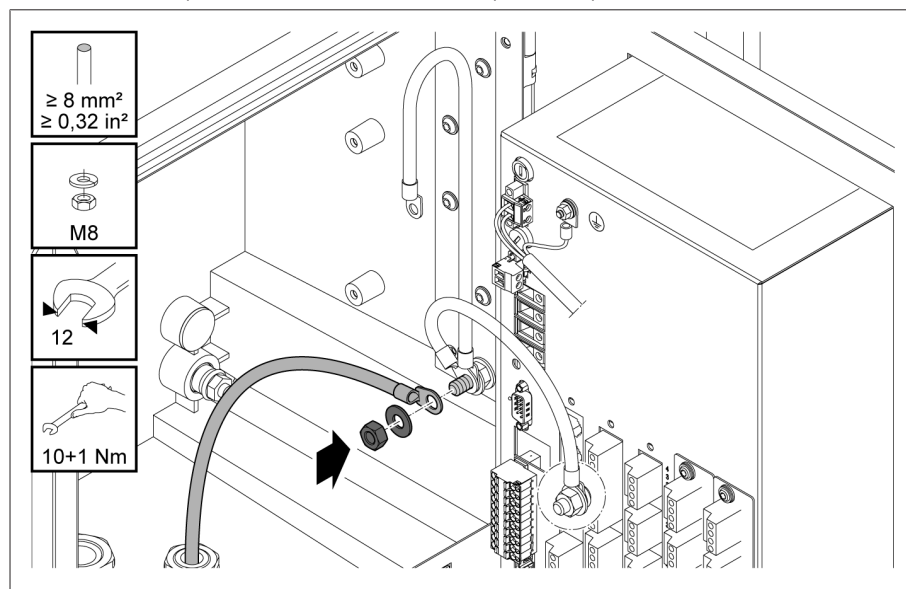


Figura 39: Puesta a tierra de la carcasa

3. Fije el cable de puesta a tierra de la carcasa en el tornillo de puesta a tierra del aparato. En caso necesario, fije también el conductor de tierra del cable de alimentación de corriente en el tornillo de puesta a tierra.

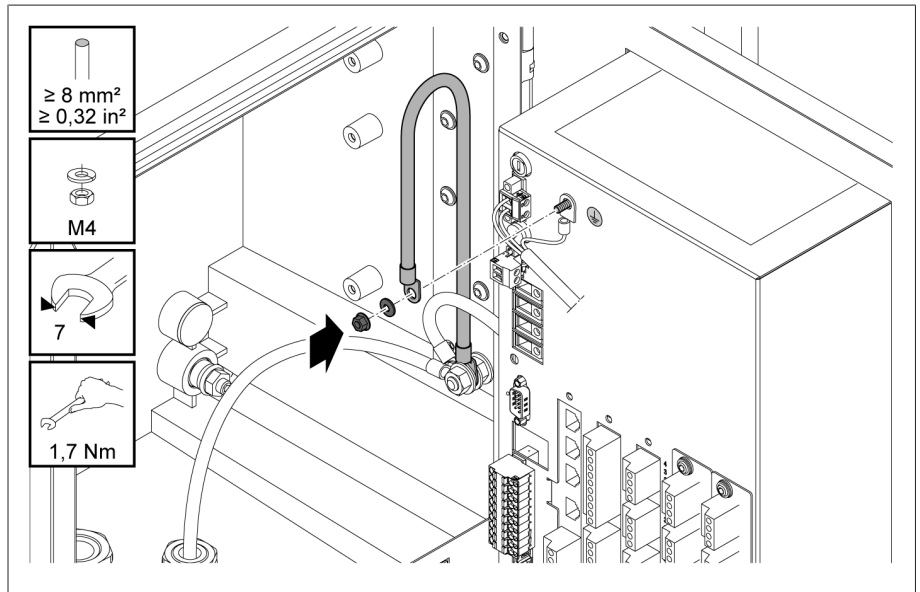


Figura 40: Fijación del cable de puesta a tierra de la carcasa en el conductor de tierra del aparato

5.5 Ejecución de comprobaciones

AVISO

¡Daños en el aparato y en la periferia de la instalación!

Un aparato conectado de forma incorrecta puede provocar daños en el aparato y en la periferia de la instalación.

- > Antes de la puesta en servicio, compruebe todo el circuito.
- > Antes de la puesta en servicio compruebe la tensión de alimentación y la tensión de medición.

- > Conecte el aparato a la red eléctrica.
 - » El display muestra el logotipo de MR y, a continuación, la pantalla de servicio.
 - » El LED *Indicación de tensión* situado arriba a la izquierda en la placa frontal del aparato está iluminado.

6 Primeros pasos

AVISO

¡Daños en el aparato y en la periferia de la instalación!

Un aparato conectado de forma incorrecta puede provocar daños en el aparato y en la periferia de la instalación.

- > Antes de la puesta en servicio, compruebe todo el circuito.

En cuanto se ha encendido el aparato y muestra la pantalla de inicio, se le solicitará realizar los ajustes citados a continuación.

6.1 Establecer conexión para la visualización

Puede establecer una conexión para la visualización mediante 2 interfaces:

- interfaz frontal (para el acceso in situ)
- opcionalmente: interfaz X3 en la parte trasera del aparato (para el acceso mediante display escalonado, puesto de control, etc.)

Requisitos del sistema

Para acceder a la visualización basada en web necesita un PC con un navegador apto para HTML5. La pantalla se ha optimizado para los siguientes navegadores:

- Microsoft Edge
- Google Chrome™

Establecimiento de la conexión mediante interfaz frontal

1. Retire la cubierta de la interfaz en la parte frontal del aparato.
2. Conecte entre sí las interfaces COM-X2 y CPU-X3 con el cable patch suministrado.

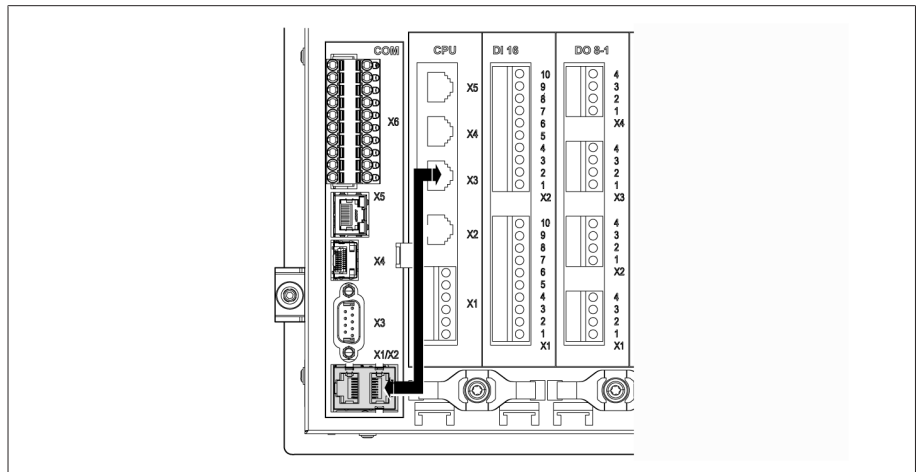


Figura 41: Cable patch en la parte posterior

3. Conecte el PC y el aparato mediante el cable Ethernet (conector RJ45) a través de la interfaz frontal.

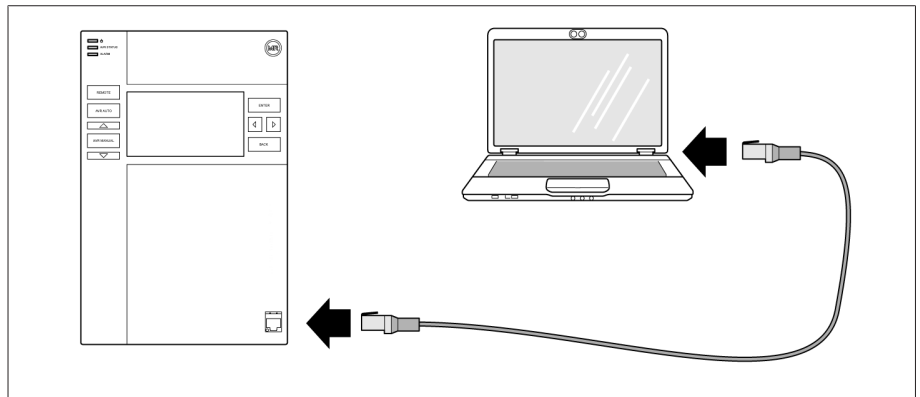


Figura 42: Establecimiento de la conexión mediante interfaz frontal

4. Asigne al PC una dirección IP clara que se encuentre en la misma subred que el aparato (p. ej., 192.168.165.100).
5. Entre la dirección IP de la visualización `http://192.168.165.1`, o con codificación SSL activada `https://192.168.165.1`, en el PC en el navegador.
 - » Se llamará la visualización.


Establecimiento de la conexión mediante la interfaz CPU-X3 de la parte trasera

1. Conecte el PC y el aparato mediante el cable patch prehecho a través de la interfaz situada en la parte trasera CPU-X3.
2. Seleccione en el aparato el punto del menú **Comunicación** para visualizar la dirección IP del aparato.
3. Asigne al PC una dirección IP clara que se encuentre en la misma subred que el aparato (p. ej., 192.0.1.100).
4. Entre la dirección IP de la visualización (p. ej. `http://192.0.1.230`, o con codificación SSL activada `https://192.0.1.230`) en el PC en el navegador.
 - » Se llamará la visualización.

6.2 Ajuste del idioma


Inglés	Italiano
Alemán	Portugués
Francés	Ruso
Español	Chino
Coreano	Polaco

Tabla 5: Idiomas para las indicaciones ajustables

1. En la tabla de estados seleccione el botón  EN.
2. Seleccione el idioma deseado en el campo de la lista.
3. Seleccione el botón Aceptar para aceptar el parámetro.
 - » Se muestra el diálogo "Reiniciar aparato".
4. Reinicie el aparato para aceptar el ajuste de idioma modificado.

6.3 Descarga de las instrucciones de servicio

Descárguese las instrucciones de servicio del aparato para empezar la puesta en servicio y parametrización del aparato.

- > En la barra de estado seleccione .
- » Se descargan las instrucciones de servicio.

Alternativamente, puede descargarse el documento desde el portal de clientes MR o nuestra página web www.reinhausen.com.

7 Solución de averías

7.1 Averías generales

Expresión/Detalle	Causa	Solución
Ninguna función – El LED <i>Alimentación de corriente</i> no se enciende	Sin alimentación de corriente.	Compruebe la alimentación de corriente.
	Fusible disparado.	Póngase en contacto con Maschinenfabrik Reinhausen GmbH.
Ninguna función – El LED <i>ESTADO AVR</i> no se enciende	Error de configuración	Póngase en contacto con Maschinenfabrik Reinhausen GmbH.
Los relés vibran	Alta carga CEM.	Utilice cables blindados o filtros externos.
	Puesta a tierra defectuosa.	Compruebe la puesta a tierra funcional.

Tabla 6: Averías generales

7.2 Interfaz hombre-máquina

Expresión/Detalle	Causa	Solución
Display – Ninguna visualización.	Alimentación de corriente interrumpida.	Compruebe la alimentación de corriente.
	Fusible defectuoso.	Póngase en contacto con Maschinenfabrik Reinhausen.
No es posible ningún establecimiento de conexión para la visualización	Cable de conexión defectuoso.	Compruebe el cable de conexión.
	Cifrado SSL activo.	Acepte el certificado SSL en el navegador.
		Consulte la dirección IP con <code>https://</code> .
		Desactive el cifrado SSL.
El PC no se halla en la misma subred que la visualización.	Compruebe el ajuste de las direcciones IP del aparato y el PC y, dado el caso, corríjalo.	
Indicación incorrecta de la visualización en el navegador web.	Acceso a la visualización mediante navegador web tras una actualización de software.	Borre la memoria caché del navegador web.

Tabla 7: Interfaz hombre-máquina

7.3 Otras averías

En caso de que no se halla ninguna solución para una avería, le rogamos se ponga en contacto con Maschinenfabrik Reinhausen. Le rogamos tenga a mano los siguientes datos:

- N.º de serie
 - Placa de características
- Versión del software

Prepárese también para las siguientes preguntas:

- ¿Se ha producido una actualización del software?
- ¿Se han tenido problemas en el pasado con este aparato?
- Referente a esto, ¿se puso ya en contacto con Maschinenfabrik Reinhausen?
En caso afirmativo, ¿con quién?

Servicio de asistencia técnica

Maschinenfabrik Reinhausen GmbH

Servicio técnico

Ap. correos 12 03 60

93025 Regensburg

Alemania

Teléfono: +49 94140 90-0

email: service@reinhausen.com

Internet: www.reinhausen.com

Encontrará un resumen de los servicios disponibles sobre el producto en el portal del cliente: <https://portal.reinhausen.com>

8 Datos técnicos

8.1 Elementos de indicación

Display	Display de color TFT de 5"
LED	3 LED para indicación de servicio y señalizaciones - POWER, ESTADO AVR, ALARMA - SUBIR, BAJAR, AUTO, MANUAL, REMOTE

8.2 Materiales

TAPCON® 230	
Frontal	aluminio, plástico
Cuba/parte trasera	acero inoxidable
Carcasa (opcional)	plástico

8.3 Dimensiones

TAPCON® 230 An x Al x P	218 mm x 324 mm x 130 mm (8,58 pulg. x 12,76 pulg. x 5,12 pulg.) (sin contraconector) Contraconector 20 mm (0,79 pulg.)
TAPCON® 230 con carcasa (opcional) B x H x T	Total: 500 mm x 500 mm x 300 mm (19,69 pulg. x 19,69 pulg. x 11,81 pulg.) Altura con soporte mural: 521,3 mm (20,52 pulg.)

8.4 Alimentación de corriente

Rango de tensión admisible	85...265 V CA/V CC U _N : 100...240 V CA U _N : 100...240 V CC
Absorción de potencia nominal máx.	25 W
Rango de frecuencia admisible	50/60 Hz
Categoría de sobretensión	OC III
Tensión de prueba transitoria	5 kV, 1,2 µs/50 µs (IEC 60255-27)
Fusible interno	250 V CA, 1,25 A, 5 x 20 mm, característica T (lento), capacidad de desconexión H (mín. 1500 A), temperatura de servicio -30 °C... +100 °C)

Tabla 8: Alimentación de corriente

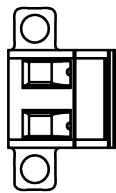
Interfaz	Pin	Descripción
	2	L
	1	N

Tabla 9: Conexión X9

Alimentación de corriente auxiliar AUX DC DI de 110 V CC para entradas digitales

i La alimentación de corriente auxiliar sirve únicamente para registrar hasta 16 contactos libres de potencial.

Tensión de salida	U_N : 110 V CC \pm 2 % (resistente a cortocircuitos)
Potencia de salida máx.	5 W
Categoría de sobretensión	OC III
Tensión de prueba transitoria	5 kV, 1,2 μ s/50 μ s (IEC 60255-27)
Fusible	250 V CA, 0,08 A, 5 x 20 mm, característica TT (superlento), capacidad de desconexión L (mín. 35 A), temperatura de servicio -30 °C... +85 °C

Tabla 10: Alimentación de corriente auxiliar

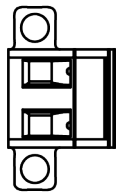
Interfaz	Pin	Descripción
	2	L
	1	N

Tabla 11: Conexión X8

8.5 Medición de tensión y medición de corriente

Medición de tensión TAPCON® 230 basic/pro/expert

Rango de medición	20...197 V CA
Tensión consigna U_N	100 V CA
Precisión	$< \pm 0,3 \% \times U_N$ en el rango de temperatura de servicio
Categoría de medición (IEC 61010-2-30)	CAT III con una posición de altura de 3.000 m
Sobretensión permanente	550 V CA
Tensión de prueba transitoria	5 kV, 1,2 μ s/50 μ s (IEC 60255-27)

Medición de tensión TAPCON® 230 AVT

Rango de medición (conmutable)	132...280 V CA	228...510 V CA
Tensión consigna U_N	230 V CA	400 V CA
Precisión	$< \pm 0,3 \% \times U_N$ en el rango de temperatura de servicio	
Categoría de medición (IEC 61010-2-30)	CAT III con una posición de altura de 2.000 m CAT II con una posición de altura de 3.000 m	
Sobretensión permanente	550 V CA	
Tensión de prueba transitoria	5 kV, 1,2 μ s/50 μ s (IEC 60255-27)	

Medición de corriente

Frecuencia	45...65 Hz
Corriente nominal I_N	1 A o 5 A (conmutable)
Precisión	$< \pm 0,5 \% \times I_N$ en el rango de temperatura de servicio
Carga	$< 0,1 VA$
Capacidad de sobrecarga permanente	12,5 A
Capacidad de sobrecarga de corta duración	500 A/1 s
Tensión de prueba transitoria	5 kV, 1,2 μ s/50 μ s (IEC 60255-27)

Interfaz	Pin	Descripción	
	4	N	TT (U_N : 100/230/400 V CA)
	3	L	TT
	2	I	TC
	1	k	TC

Tabla 12: Conexión UI:X7

8.6 Unidad de cálculo central

Procesador	Procesador ARM Cortex A9 800 MHz
Memoria de trabajo	512 MB
NVRAM (SRAM compensada con batería)	256 kB
Memoria de aplicación	2 GB
Salidas de relé digitales	2; separadas galvánicamente
Tensión consigna	CC 24/48/60 V
Corriente constante máx.	1 A (carga óhmica)
Potencia de conmutación máx.	30 W
Tensión transitoria asignada	2,0 kV

Comportamiento de respuesta del Watchdog/Error Relais:

	Error Relais	Watchdog Relais
Power Off	OFF	OFF
Arranque	ON	OFF
Ready (ningún error pendiente)	OFF	ON
Ready (error pendiente)	ON	ON

ON: el relé está excitado

OFF: el relé ha fallado

Interfaces

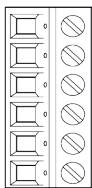
Interfaz	Pin	Descripción
	6	ER_NO
	5	ER_NC
	4	ER_COM
	3	WD_NO
	2	WD_NC
	1	WD_COM

Tabla 13: Borne insertable CPU:X1

Interfaz X2, X3	Pin	Descripción
	8	NC
	7	NC
	6	RXD-
	5	NC
	4	NC
	3	RXD+
	2	TXD-
	1	TXD+

Tabla 14: Interfaz Ethernet CPU:X2/X3

Interfaz X4	Pin	Descripción
	8	NC
	7	NC
	6	GND
	5	NC
	4	NC
	3	NC
	2	TXD+/RXD+
	1	TXD-/RXD-

Tabla 15: Interfaz serial RS485 CPU:X4


Interfaz X5	Pin	Descripción
	8	DTR (O)
	7	DCD (I)
	6	GND
	5	RXD (I)
	4	TXD (O)
	3	VCC/OUT 5 V/12 V
	2	RTS (O)
	1	CTS (I)

Tabla 16: Interfaz serial RS232 CPU:X5

8.7 Entradas digitales

	DI 16-110 V	DI 16-220 V Solo disponible en las variantes TAPCON® 230 Basic, Pro y Expert.
Entradas (separadas galvánicamente enchufe por enchufe)	2 x 8	
Tensión consigna	110 V CC	220 V CC
Tensión de servicio máx.	143 V CC	253 V CC 253 V CA
Lógico 0	≤ 55 V CC	≤ 110 V
Lógico 1	≥ 82,5 V CC	≥ 165 V
Corriente de entrada	0,9 mA	0,6 mA
Factor de simultaneidad (a 65 °C de temperatura ambiente)	Máx. 13 entradas	

Tabla 17: Datos técnicos DI 16-110 V y DI 16-220 V

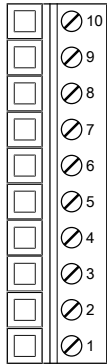
Interfaz	Pin	Descripción
	10	Referencia común (Common)
	9	Referencia común (Common)
	8	Entrada 7
	7	Entrada 6
	6	Entrada 5
	5	Entrada 4
	4	Entrada 3
	3	Entrada 2
	2	Entrada 1
	1	Entrada 0

Tabla 18: Conector X1 (grupo 0)

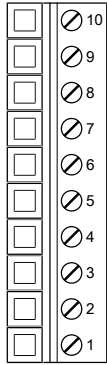
Interfaz	Pin	Descripción
	10	Referencia común (Common)
	9	Referencia común (Common)
	8	Entrada 17
	7	Entrada 16
	6	Entrada 15
	5	Entrada 14
	4	Entrada 13
	3	Entrada 12
	2	Entrada 11
	1	Entrada 10

Tabla 19: Conector X2 (grupo 1)

8.8 Salidas digitales

	DO 8
Salidas (separadas galvánicamente enchufe por enchufe)	8 relés 4 grupos por módulo
Tensión de conmutación	CC: 24 V, 48 V, 60 V, 110 V, 220 V CA: 110 V, 230 V
Carga del contacto	Mín.: 5 V CC, 10 mA Máx. CC: véase diagrama Máx. CA: 250 V; 3 A (8 salidas activas) o 5 A (4 salidas activas)

Tabla 20: Datos técnicos del módulo DO 8

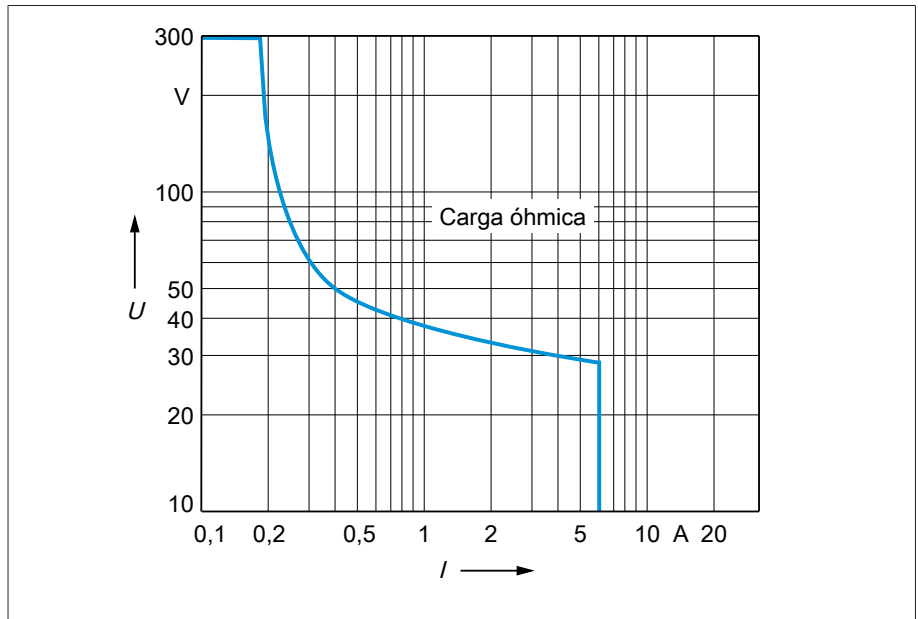


Figura 43: Carga del contacto de las salidas digitales con carga óhmica

⚠ ATENCIÓN



¡Choque eléctrico!

Las salidas del módulo DO están separadas galvánicamente enchufe por enchufe. Una combinación de rangos de tensión (p. ej. pequeña tensión y baja tensión) o distintas fases dentro de un enchufe puede reducir la protección ante un choque eléctrico.

- > Utilice los mismos rangos de tensión dentro de un enchufe.
- > Utilice la misma fase dentro de un enchufe.

Interfaz	Pin	Descripción
	4	Referencia común (Common) salida 1
	3	Referencia común (Common) salida 0
	2	Salida 1
	1	Salida 0

Tabla 21: Conector X1 (grupo 0)

Interfaz	Pin	Descripción
	4	Referencia común (Common) salida 3
	3	Referencia común (Common) salida 2
	2	Salida 3
	1	Salida 2

Tabla 22: Conector X2 (grupo 1)

Interfaz	Pin	Descripción
	4	Referencia común (Common) salida 5
	3	Referencia común (Common) salida 4
	2	Salida 5
	1	Salida 4

Tabla 23: Conector X3 (grupo 2)

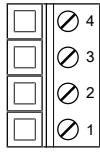
Interfaz	Pin	Descripción
	4	Referencia común (Common) salida 7
	3	Referencia común (Common) salida 6
	2	Salida 7
	1	Salida 6

Tabla 24: Conector X4 (grupo 3)

8.9 Entradas analógicas

	AI 4
Entradas (separadas galvánicamente)	4 x 1
Rango de medición	0...20 mA, sobrecorriente aprox. 20 % 0...10 V, sobretensión aprox. 30 %
Precisión	0,15 % a 25 °C Corriente 0,2 % a 0...50 °C 0,3 % a -20...70 °C 0,4 % a -40...70 °C Tensión 0,4 % a 0...50 °C 0,5 % a -20...70 °C 0,6 % a -40...70 °C
Impedancia de entrada	52 Ω a 0...20 mA 20,5 kΩ a 0...10 V

Tabla 25: Datos técnicos del módulo AI 4

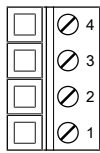
Interfaz	Pin	Descripción
	4	V0 U- entrada de tensión
	3	V0 I- entrada de corriente
	2	V0 I+ salida de corriente
	1	V0 U+ salida de tensión

Tabla 26: Conector X1 (grupo 0)

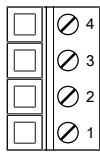
Interfaz	Pin	Descripción
	4	V1 U- entrada de tensión
	3	V1 I- entrada de corriente
	2	V1 I+ salida de corriente
	1	V1 U+ salida de tensión

Tabla 27: Conector X2 (grupo 1)

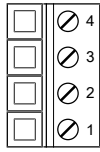
Interfaz	Pin	Descripción
	4	V2 U- entrada de tensión
	3	V2 I- entrada de corriente
	2	V2 I+ salida de corriente
	1	V2 U+ salida de tensión

Tabla 28: Conector X3 (grupo 2)

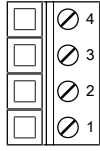
Interfaz	Pin	Descripción
	4	V3 U- entrada de tensión
	3	V3 I- entrada de corriente
	2	V3 I+ salida de corriente
	1	V3 U+ salida de tensión

Tabla 29: Conector X4 (grupo 3)

8.10 Interfaces de comunicación

Descripción	Módulo para convertir las interfaces y los medios
Interfaces	1x RS232/RS485 (RJ45): COM-X1 2x Ethernet (RJ45): COM-X2, COM-X5 1x RS232 (DSub): COM-X3 1x Duplex-LC (SFP): COM-X4 1x borne insertable de 10 polos: COM-X6
COM-X1 Solo disponible en las variantes TAPCON® 230 Pro, Expert y AVT.	Interfaz de sistema interna para conectar la interfaz COM-X6 a la unidad de cálculo central (CPU)
COM-X2	Interfaz de sistema interna para conectar la interfaz frontal con la unidad de cálculo central (CPU)
COM-X3 Solo disponible en las variantes TAPCON® 230 Expert y AVT.	Interfaz SCADA serie RS232 – Hembra D-SUB de 9 polos
COM-X4 Solo disponible en las variantes TAPCON® 230 Expert y AVT.	Módulo SFP para convertir Ethernet (RJ45) a cable de fibra óptica para SCADA – Máx. 2000 m – 100 MBit/s – Diodo emisor de luz: clase 1 – Longitud de onda: 1310 nm – Potencia de salida óptica máx.: <1 mW (según IEC 60825-1:2014)

COM-X5 Solo disponible en las variantes TAPCON® 230 Expert y AVT.	Conexión Ethernet para SCADA
COM-X6 Solo disponible en las variantes TAPCON® 230 Pro, Expert y AVT.	Borne insertable de 10 polos <ul style="list-style-type: none"> - Registro de la posición de toma mediante corona potenciométrica - Bus CAN - Interfaz SCADA serie RS485 - Separado galvánicamente

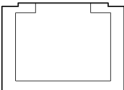
Interfaz	Pin	Descripción
	1	CTS (I) (RS232); TXD-/RXD- (RS485)
	2	RTS (O) (RS232); TXD+/RXD+ (RS485)
	3	VCC/OUT 5V/12V (RS232)
	4	TXD (O) (RS232)
	5	RXD (I) (RS232)
	6	GND
	7	DCD (I) (RS232)
	8	DTR (O) (RS232)

Tabla 30: COM-X1 (RS232/RS485)

Interfaz	Pin	Descripción
	1	TxD+
	2	TxD-
	3	RxD+
	4	NC
	5	NC
	6	RxD-
	7	NC
	8	NC

Tabla 31: COM-X2, COM-X5 (RJ45)

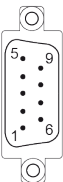
Interfaz	Pin	Descripción
	2	RxD
	3	TxD
	5	GND

Tabla 32: COM-X3 (RS232)

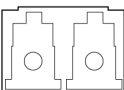
Interfaz	Descripción
	Fibra de vidrio 50/125 y 62,5/125 multimodo

Tabla 33: COM-X4 (Duplex-LC SFP)

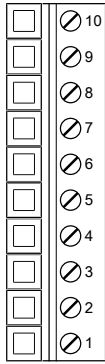
Interfaz	Pin	Descripción
	1	GND (corona potenciométrica)
	2	I out (corona potenciométrica)
	3	U+ in (corona potenciométrica)
	4	U- in (corona potenciométrica)
	5	Data - (RS485)
	6	GND (RS485)
	7	Data + (RS485)
	8	CAN-L (bus CAN)
	9	CAN-GND (bus CAN)
	10	CAN-H (bus CAN)

Tabla 34: COM-X6

8.11 Registro de la posición de toma/corona potenciométrica

Separación galvánica	Tensión de prueba tensión soportada asignada: 500 V _{eff} ; 50 Hz; 1 min
Registro de la posición de toma	35 escalones, 2000 ohmios

8.12 Condiciones ambientales

Temperatura de servicio	-25...+70 °C
Temperatura de almacenamiento	-30...+85 °C (con batería)
Humedad relativa	5...95 % sin condensación
Grado de contaminación	2
Clase de protección	I
Grado de protección	En la parte frontal: IP54 Lado trasero: IP20 Con carcasa opcional: IP56
Altura de uso máxima	3000 m sobre el nivel del mar
Distancia mínima a otros aparatos/armario de conexiones	Arriba/abajo: 88,9 mm (3,5 pulg.; equivale a 2 ud. altura), detrás 30 mm (1,2 pulg.)

Tabla 35: Condiciones ambientales admisibles

8.13 Normas y directivas

Compatibilidad electromagnética	IEC 61000-6-2, IEC 61000-6-4, IEC 61000-6-5 EN 60255-26 KN 61000-6-2, KN 61000-6-4 FCC 47 CFR Part 15 B ICES-003
Seguridad eléctrica	IEC 61010-1 IEC 61010-2-201 IEC 61010-2-030 EN 61010-1 UL 61010-1 CAN/CSA-C22.2 n.º 61010-1
Relés de medición y dispositivos de protección	IEC 60255-1:2009 capítulo 6.10.1, 6.10.2 y 6.10.4 IEC 60255-27:2013 capítulo 10.6.4.2, 10.6.4.3, 10.6.4.4 y 10.6.5.3
Condiciones ambientales climáticas	IEC 60068-2-1 (-25°C; 96h) frío IEC 60068-2-2 (+70°C; 96h) calor seco IEC 60068-2-78 (+40°C / 93% r. H., 96h) calor húmedo constante IEC 60068-2-30 (+55°C, 6 ciclos 12 + 12 horas) calor húmedo, cíclico
Comprobación del grado de protección	IEC 60529
Pruebas de resistencia medio ambiente	IEC 60255-21-1 oscilaciones clase 1 (3 ciclos, 0,5 g aceleración 1 octava/min o 60 ciclos, 1,0 g aceleración, 1 octava/min)
	IEC 60255-21-2 choques clase 1 (duración 11 ms, 5 g o 15 g aceleración, n.º ejes 3)
	IEC 60255-21-3 terremotos clase 1 (frecuencia 1-35 Hz, 3,5 mm/1 g aceleración horiz., 1,5 mm/0,5 g aceleración vert., 1 octava/min, duración 10 min/eje)
	IEC 60068-2-6 Vibración sinusoidal
	IEC 60068-2-27 Choque

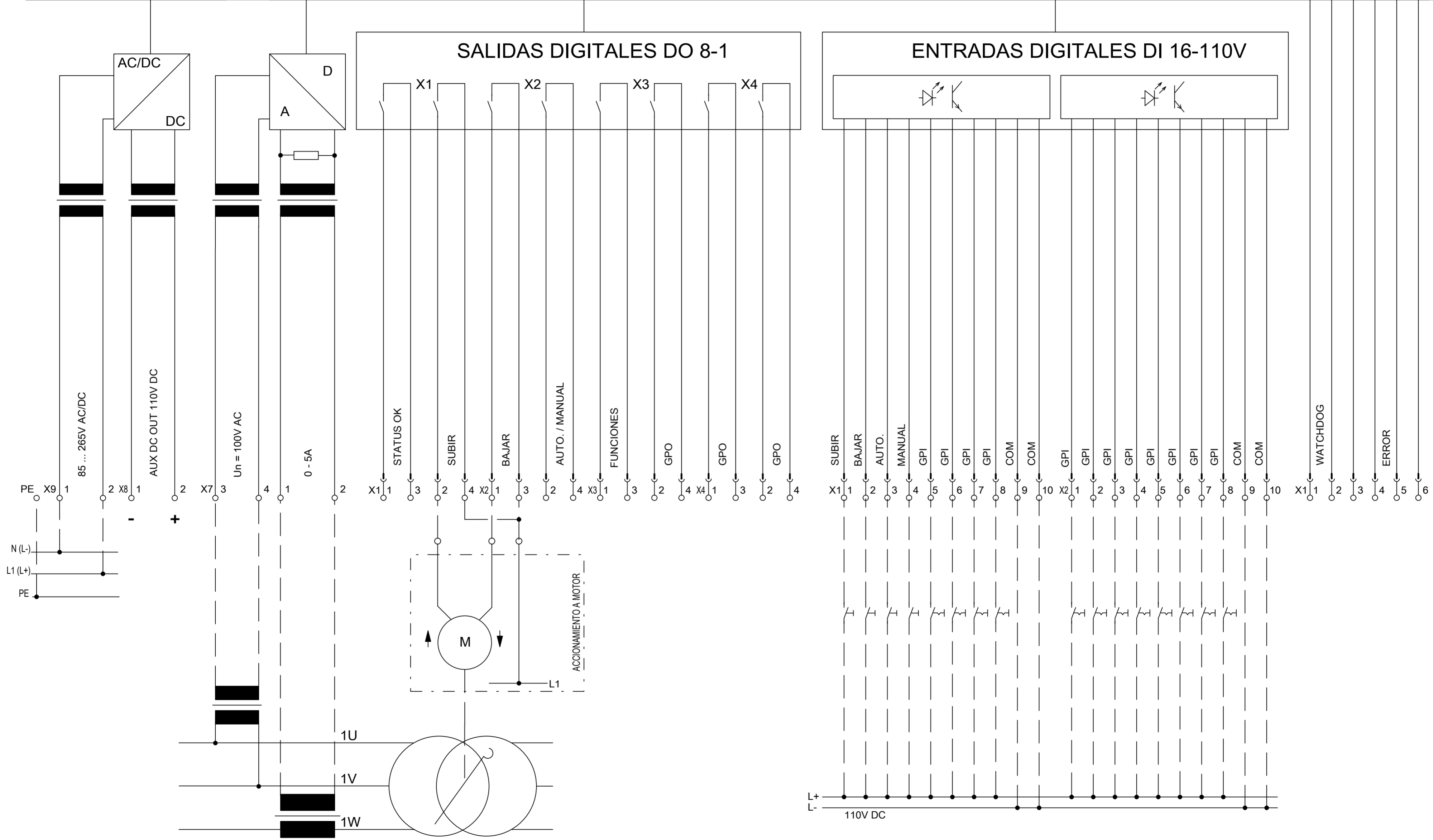
Tabla 36: Normas y directivas

8.14 Esquemas de conexiones

Para ello vea también

- 📄 TAPCON® 230 Basic (DI 16-110 V) [▶ 140]
- 📄 TAPCON® 230 Basic (DI 16-220 V) [▶ 142]
- 📄 TAPCON® 230 Pro (DI 16-110 V) [▶ 144]
- 📄 TAPCON® 230 Pro (DI 16-220 V) [▶ 147]
- 📄 TAPCON® 230 Expert (DI 16-110 V) [▶ 150]
- 📄 TAPCON® 230 Expert (DI 16-220 V) [▶ 153]
- 📄 TAPCON® 230 AVT [▶ 156]

TAPCON® 230 - BASIC



Fuer diese technische Unterlage behalten wir uns gemäss DIN 34 Abschnitt 2.1 und 2.2 alle Rechte vor.

DRAWING BY CAD
DO NOT MODIFY MANUALLY

03	X7,X1 connection	29.09.21	LAINER	DATE	22.01.2021
02	DEL BCD	16.09.21	BECK	EXEC.	BECK
01	BCD signals	28.06.21	M Kahn	VERIFIED	AP
NO.	MODIFICATION	DATE	NAME	STANDARD	

ORIGIN	REPL	REPL BY



TAPCON® 230 BASIC

LANGUAGE:
ES

PROJECT:
7870247_03

=	
+	
	SHEET 1
	2 SH.

CUSTOMER

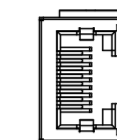
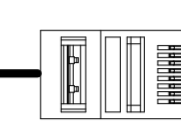
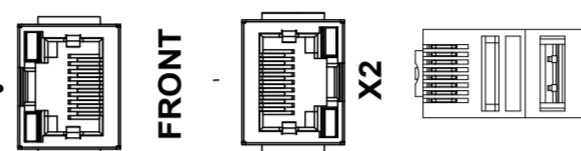
COM

CPU

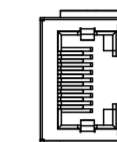
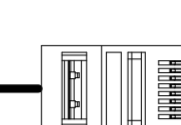
VISU / SERVICE

RJ45

RJ45



x3 RJ45



x3 RJ45

Fuer diese technische Unterlage behalten wir uns gemaess
DIN 34 Abschnitt 2.1 und 2.2 alle Rechte vor.

DRAWING BY CAD
DO NOT MODIFY MANUALLY

03	X7,X1 connection	29.09.21	LAINER	DATE	22.01.2021
02	DEL BCD	16.09.21	BECK	EXEC.	BECK
01	BCD signals	28.06.21	M Kahn	VERIFIED	AP
NO.	MODIFICATION	DATE	NAME	STANDARD	

ORIGIN	REPL	REPL BY
--------	------	---------



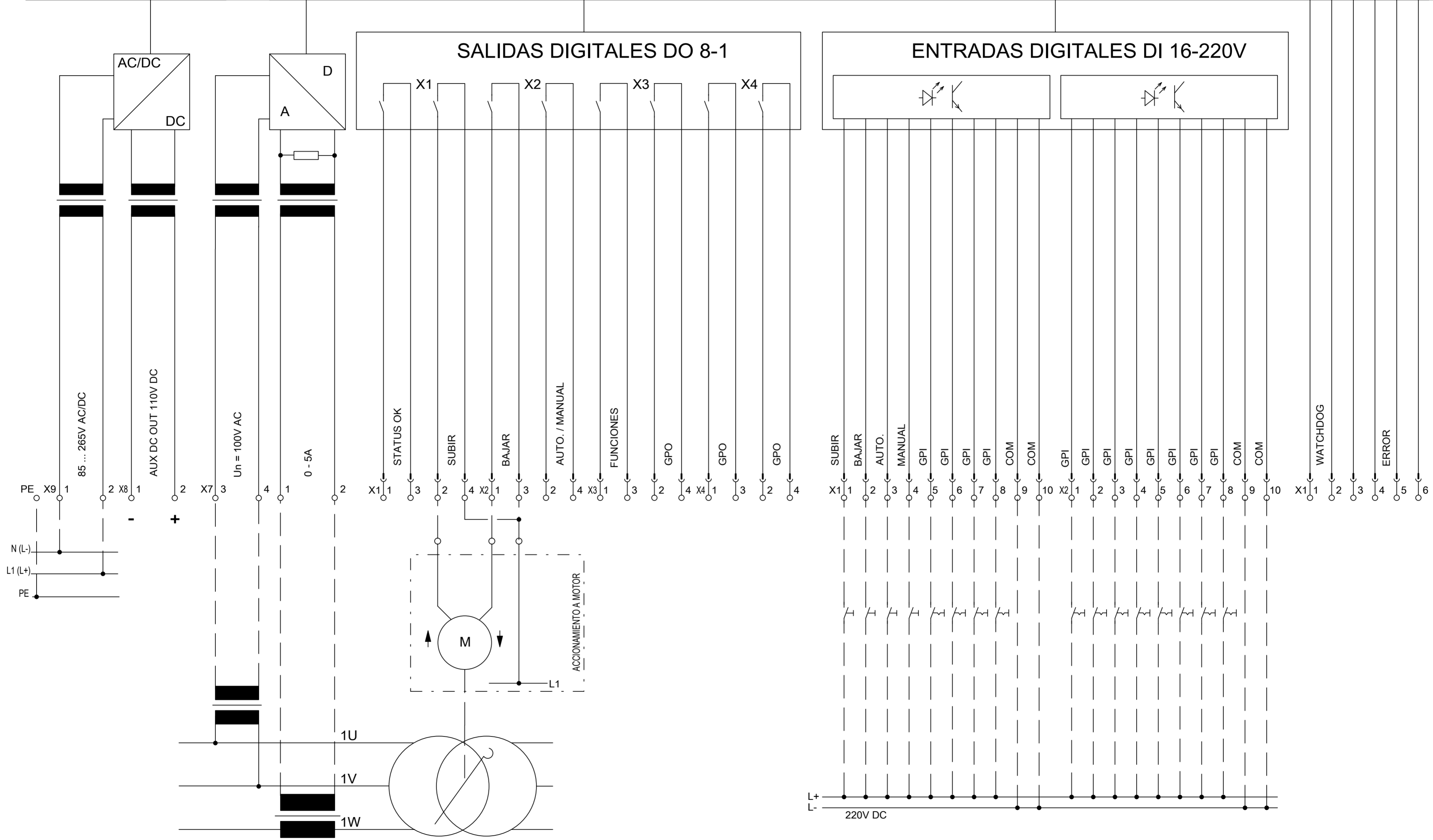
TAPCON® 230 BASIC

LANGUAGE:
ES

PROJECT:
7870247_03

=
+
SHEET 2
2 SH.

TAPCON® 230 - BASIC



Fuer diese technische Unterlage behalten wir uns gemäss DIN 34 Abschnitt 2.1 und 2.2 alle Rechte vor.

DRAWING BY CAD
DO NOT MODIFY MANUALLY

DATE	06.09.2022						
EXEC.	BECK						
VERIFIED	AP						
NO.	MODIFICATION	DATE	NAME	STANDARD	ORIGIN	REPL	REPL BY



TAPCON® 230 BASIC

LANGUAGE:
ES

PROJECT:
9008263_00

=	
+	
SHEET	1
	2 SH.

CUSTOMER

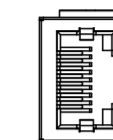
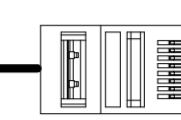
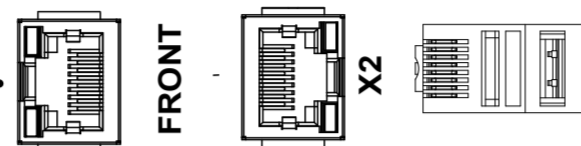
COM

CPU

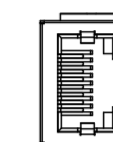
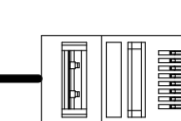
VISU / SERVICE

RJ45

RJ45



x3 RJ45



x3 RJ45

Fuer diese technische Unterlage behalten wir uns gemaess
DIN 34 Abschnitt 2.1 und 2.2 alle Rechte vor.

DRAWING BY CAD
DO NOT MODIFY MANUALLY

				DATE	06.09.2022		
				EXEC.	BECK		
				VERIFIED	AP		
NO.	MODIFICATION	DATE	NAME	STANDARD	ORIGIN	REPL	REPL BY



TAPCON® 230 BASIC

LANGUAGE:
ES

PROJECT:
9008263_00

=
+
SHEET 2
2 SH.

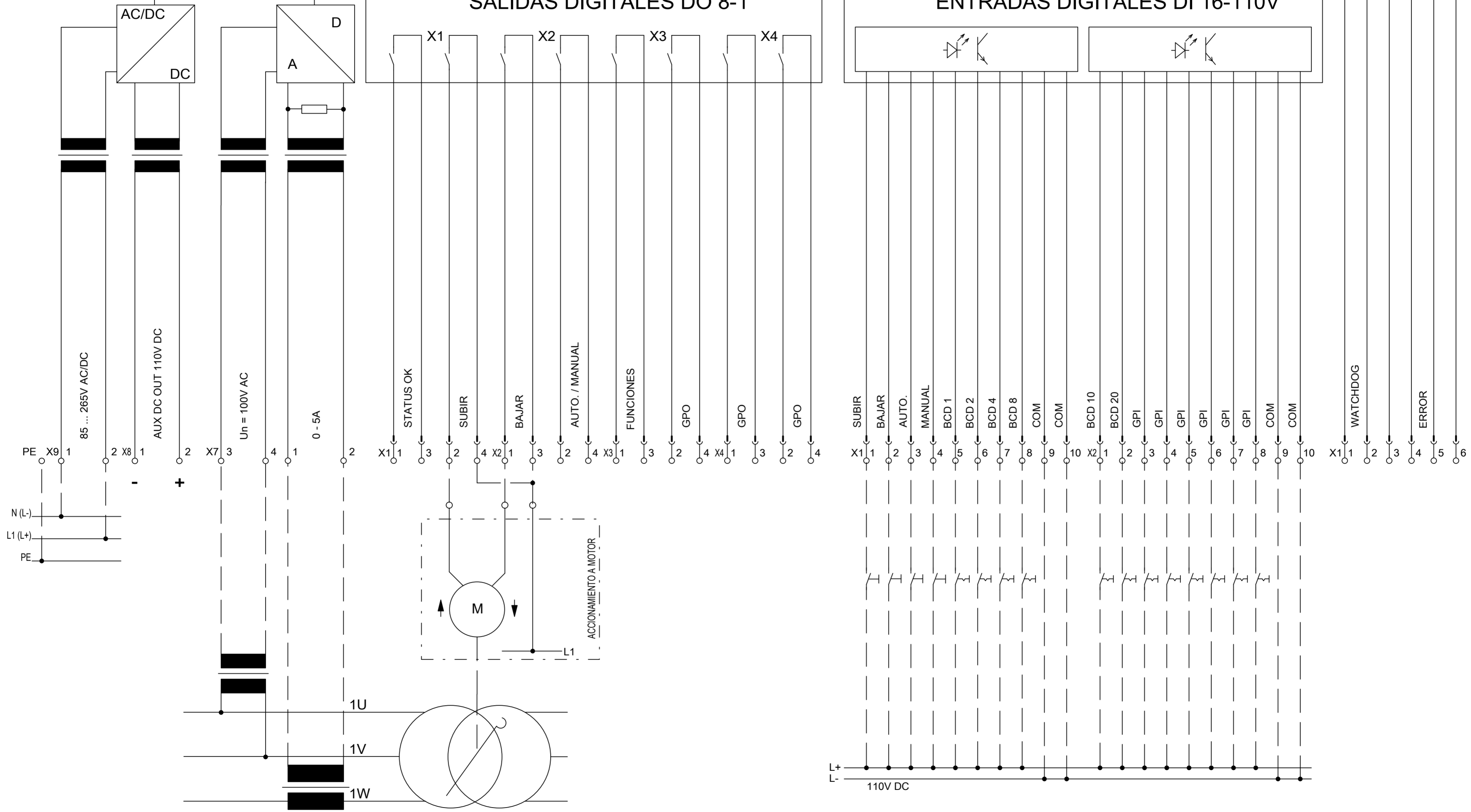
TAPCON® 230 - PRO

ALIMENTACION

UNIDAD DE CÁLCULO CENTRAL

SALIDAS DIGITALES DO 8-1

ENTRADAS DIGITALES DI 16-110V



Fuer diese technische Unterlage behalten wir uns gemäss DIN 34 Abschnitt 2.1 und 2.2 alle Rechte vor.

DRAWING BY CAD
DO NOT MODIFY MANUALLY

02	X7, X1 connection	29.09.21	Lainer	DATE	22.01.21
01	BCD signals	29.06.21	M Kahn	EXEC.	BECK
				VERIFIED	AP
NO.	MODIFICATION	DATE	NAME	STANDARD	

	ORIGIN	REPL	REPL BY
--	--------	------	---------



TAPCON® 230 PRO

LANGUAGE:
ES

PROJECT:
7870261_02

=	
+	
	SHEET 1
	3 SH.

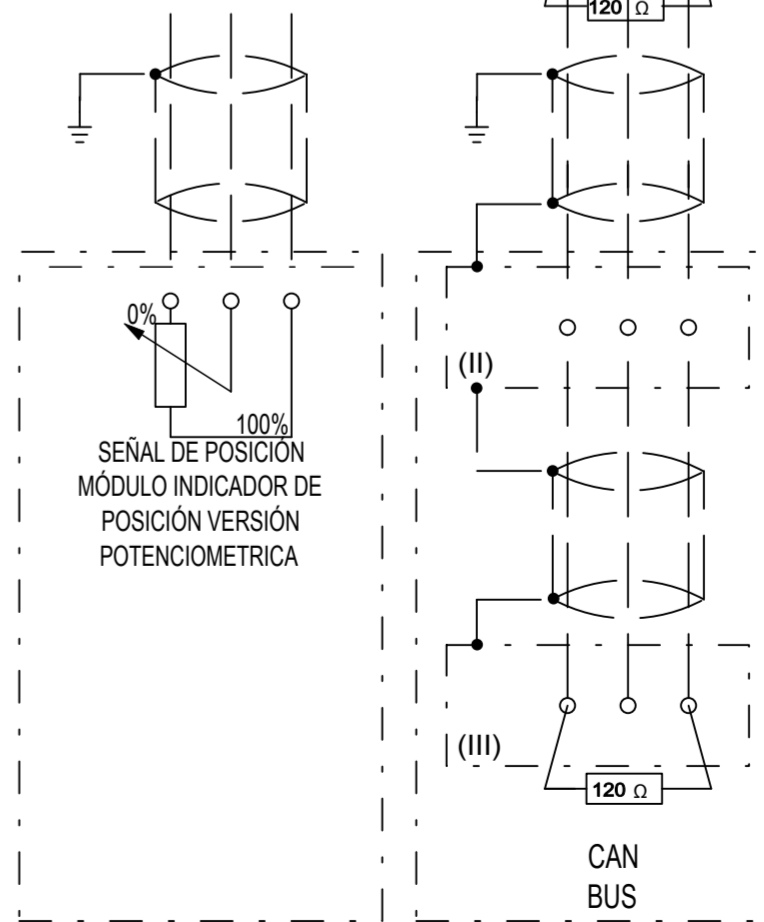
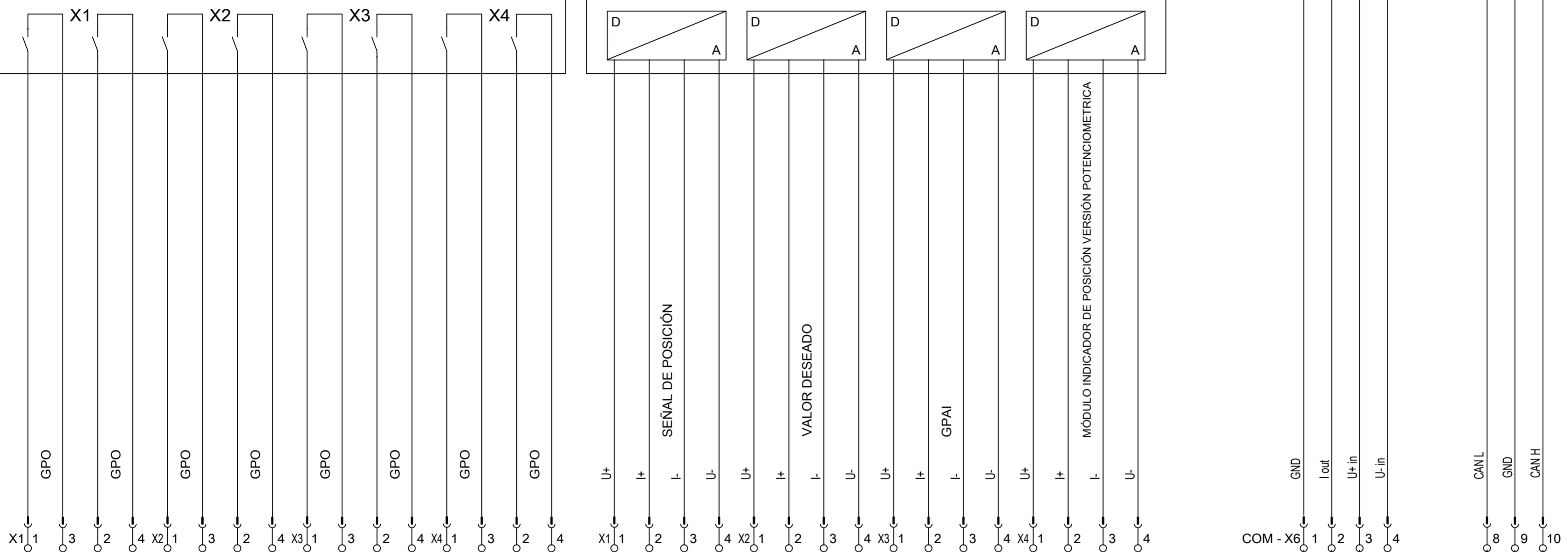
TAPCON® 230 - PRO

UNIDAD DE CÁLCULO CENTRAL

COM

SALIDAS DIGITALES DO 8-2

ENTRADAS ANALÓGICAS AI 4



Fuer diese technische Unterlage behalten wir uns gemaess DIN 34 Abschnitt 2.1 und 2.2 alle Rechte vor.

DRAWING BY CAD
DO NOT MODIFY MANUALLY

02	X7, X1 connection	29.09.21	Lainer	DATE	22.01.21
01	BCD signals	29.06.21	M Kahn	EXEC.	BECK
				VERIFIED	AP
NO.	MODIFICATION	DATE	NAME	STANDARD	

	ORIGIN	REPL	REPL BY
--	--------	------	---------



TAPCON® 230 PRO

LANGUAGE:
ES

PROJECT:
7870261_02

=	
+	
	SHEET 2
	3 SH.

CUSTOMER

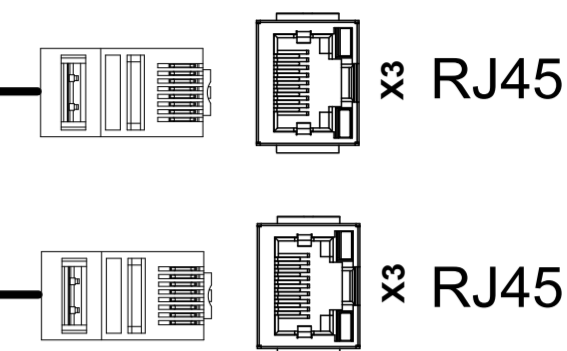
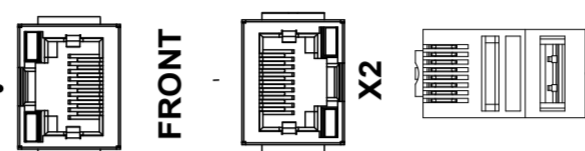
COM

CPU

VISU / SERVICE

RJ45

RJ45



Fuer diese technische Unterlage behalten wir uns gemaess
DIN 34 Abschnitt 2.1 und 2.2 alle Rechte vor.

DRAWING BY CAD
DO NOT MODIFY MANUALLY

02	X7,X1 connection	29.09.21	Lainer	EXEC.	BECK
01	BCD signals	29.06.21	M Kahn	VERIFIED	AP
NO.	MODIFICATION	DATE	NAME	STANDARD	

DATE	22.01.21
ORIGIN	
REPL	
REPL BY	



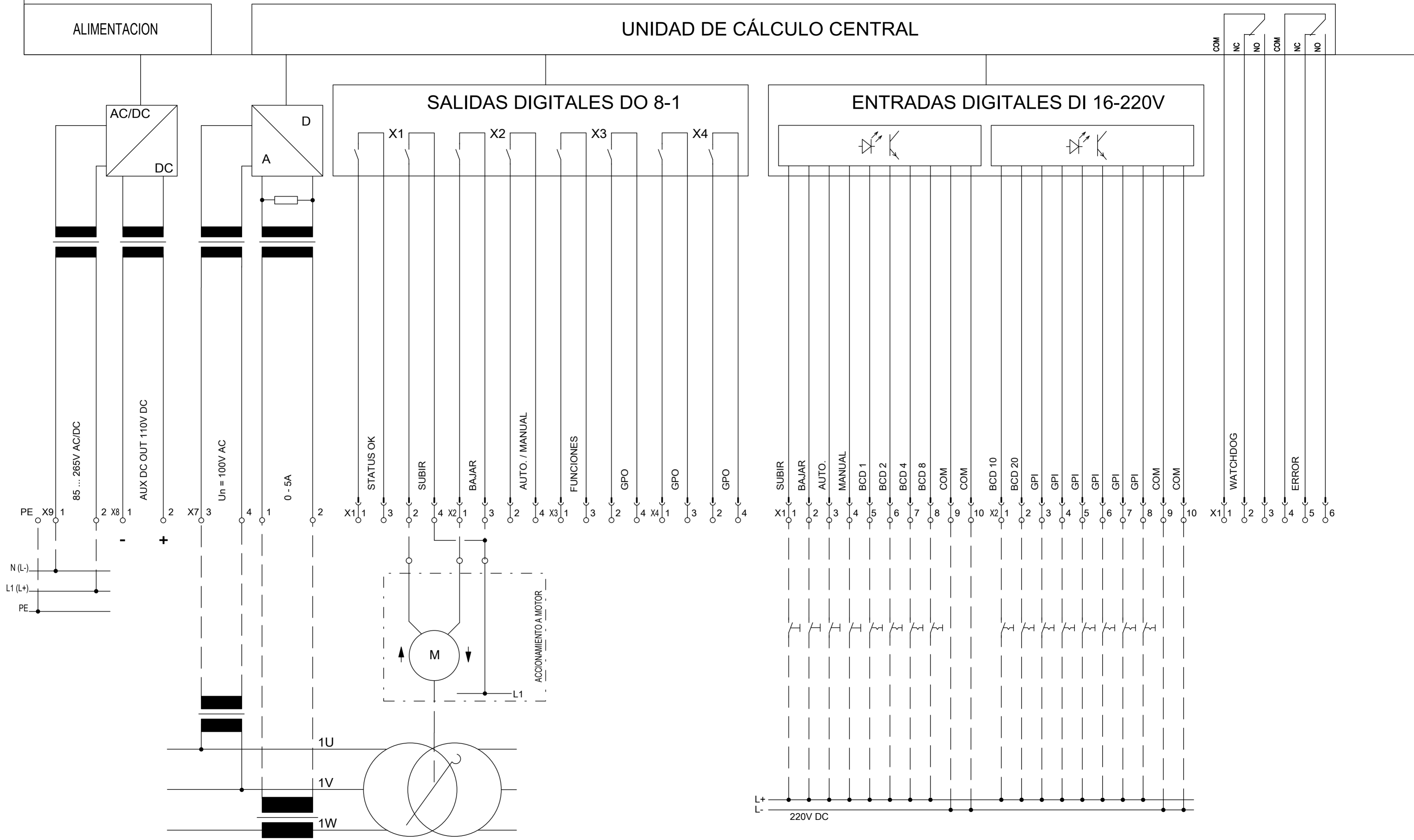
TAPCON® 230 PRO

LANGUAGE:
ES

PROJECT:
7870261_02

=	
+	
SHEET	3
	3 SH.

TAPCON® 230 - PRO



Fuer diese technische Unterlage behalten wir uns gemäss DIN 34 Abschnitt 2.1 und 2.2 alle Rechte vor.

DRAWING BY CAD
DO NOT MODIFY MANUALLY

DATE	06.09.2022						
EXEC.	BECK						
VERIFIED	AP						
NO.	MODIFICATION	DATE	NAME	STANDARD	ORIGIN	REPL	REPL BY



TAPCON® 230 PRO

LANGUAGE:
ES

PROJECT:
9008277_00

=	
+	
SHEET 1	
3 SH.	

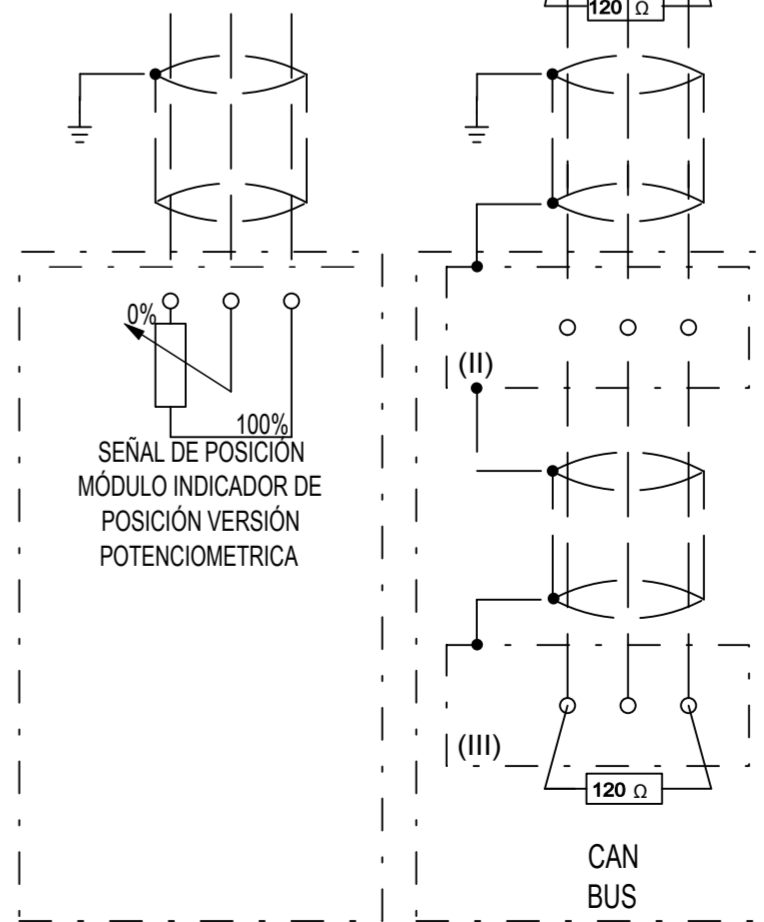
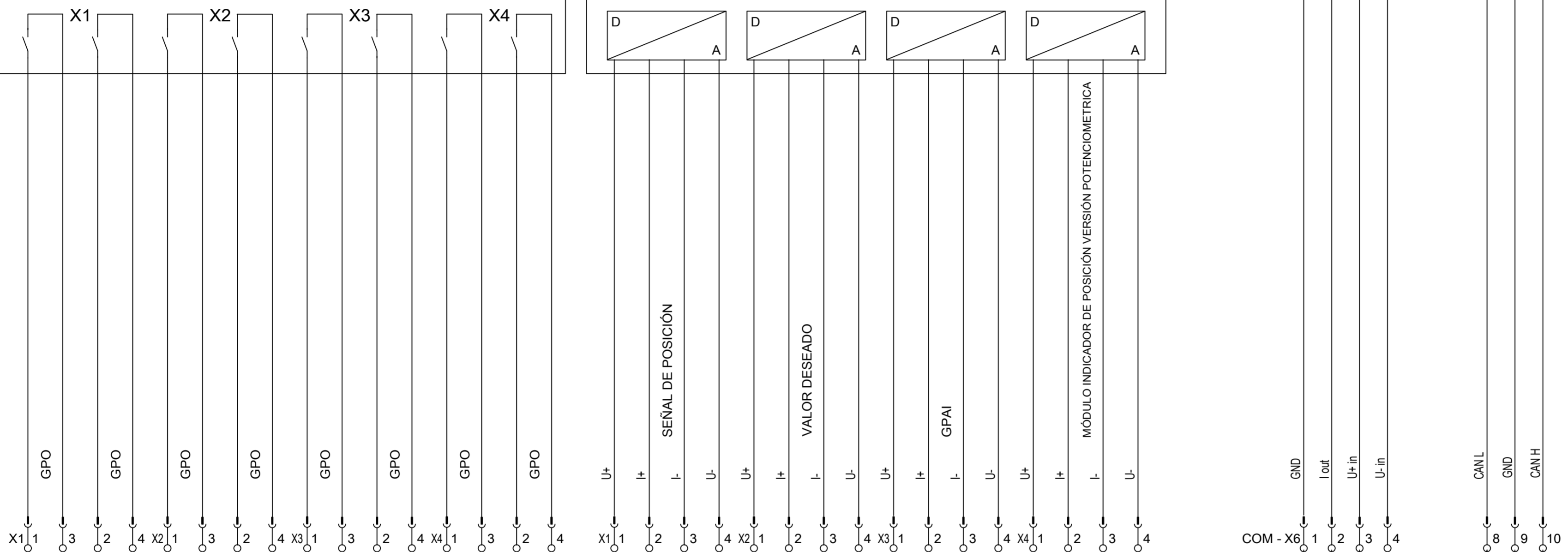
TAPCON® 230 - PRO

UNIDAD DE CÁLCULO CENTRAL

COM

SALIDAS DIGITALES DO 8-2

ENTRADAS ANALÓGICAS AI 4



Fuer diese technische Unterlage behalten wir uns gemaess DIN 34 Abschnitt 2.1 und 2.2 alle Rechte vor.

DRAWING BY CAD DO NOT MODIFY MANUALLY

NO.	MODIFICATION	DATE	NAME	STANDARD	ORIGIN	REPL	REPL BY
		06.09.2022	BECK	AP			

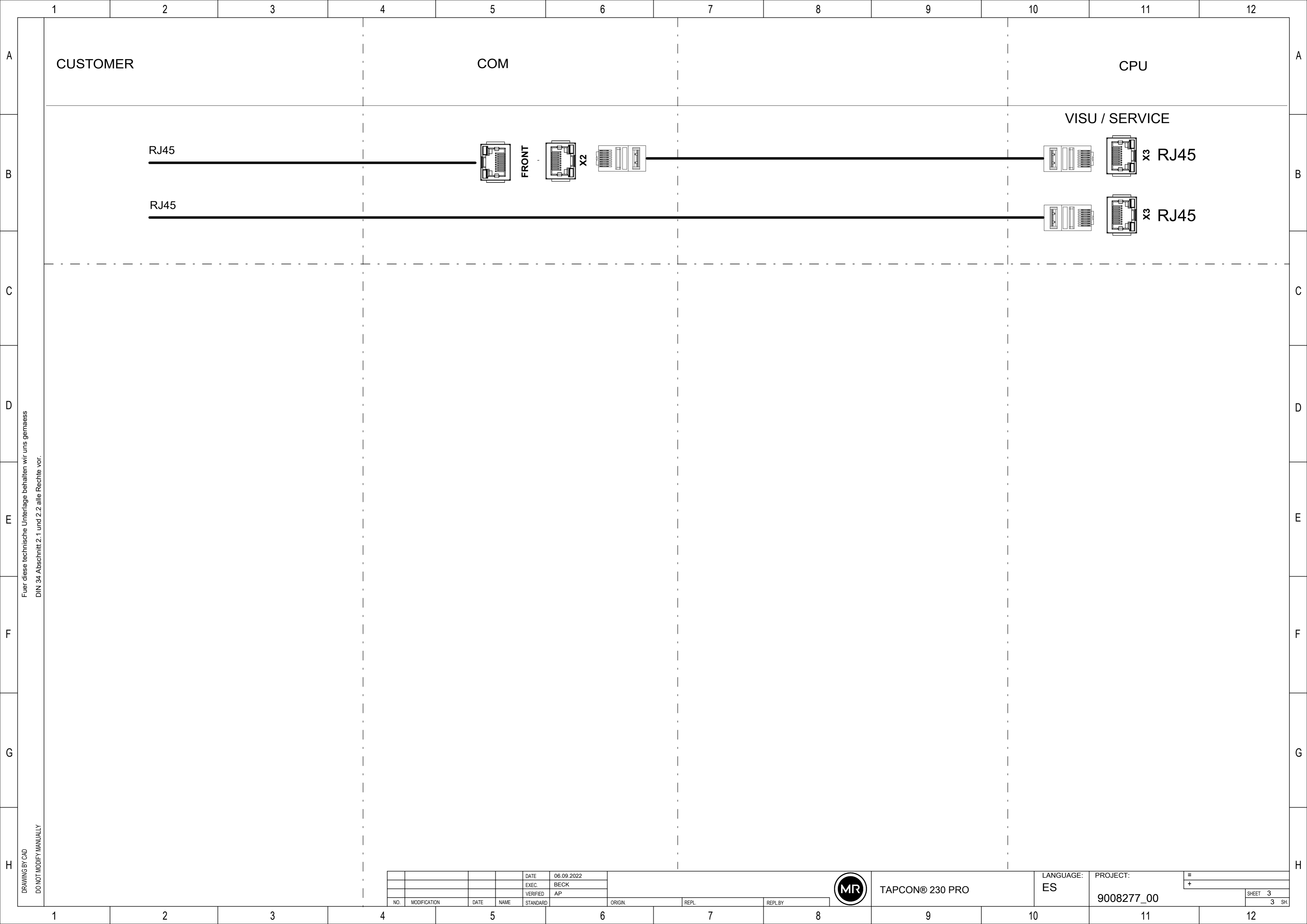


TAPCON® 230 PRO

LANGUAGE: ES

PROJECT: 9008277_00

SHEET 2 OF 3



Fuer diese technische Unterlage behalten wir uns gemaess
 DIN 34 Abschnitt 2.1 und 2.2 alle Rechte vor.

DRAWING BY CAD
 DO NOT MODIFY MANUALLY

				DATE	06.09.2022		
				EXEC.	BECK		
				VERIFIED	AP		
NO.	MODIFICATION	DATE	NAME	STANDARD	ORIGIN	REPL	REPL BY



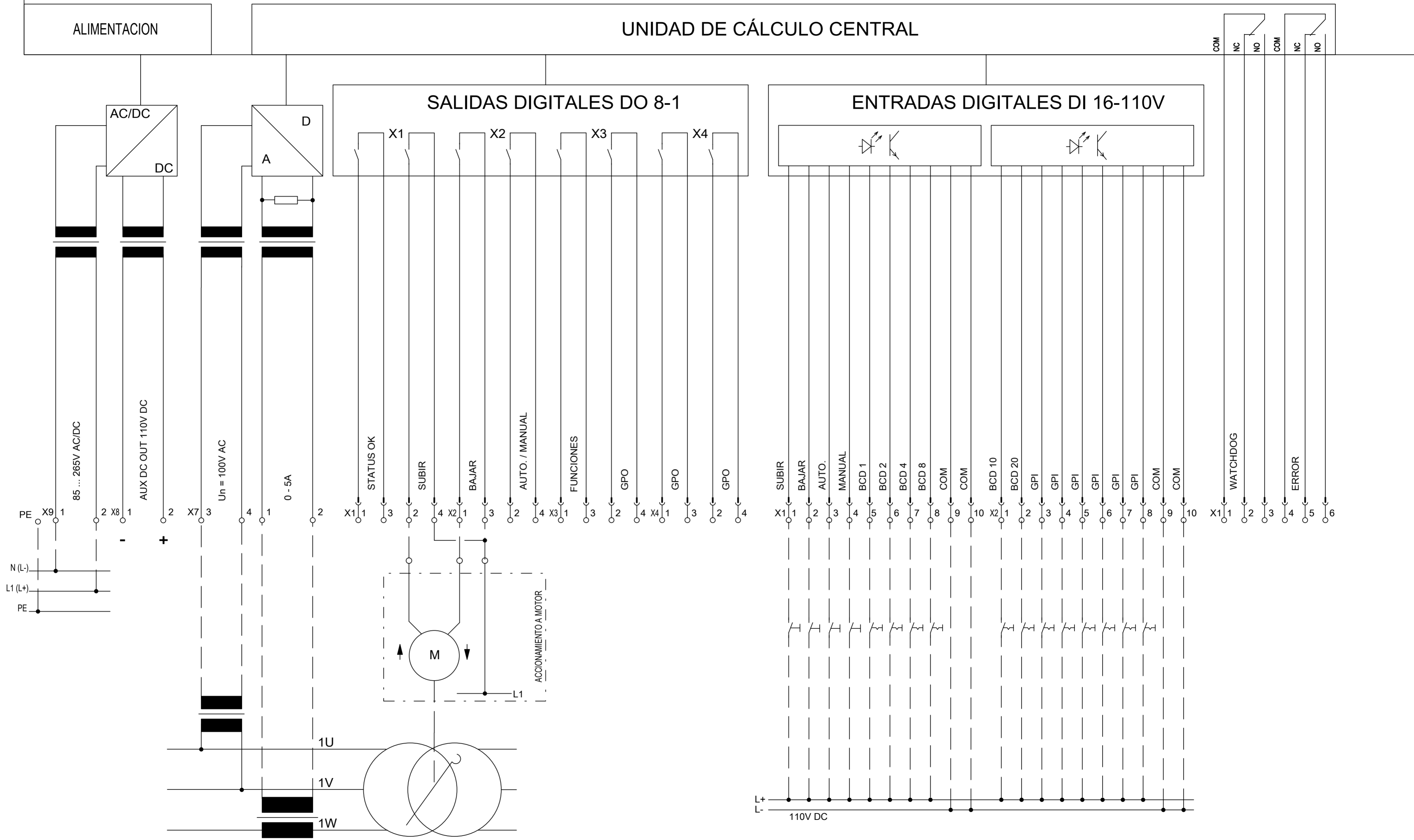
TAPCON® 230 PRO

LANGUAGE:
ES

PROJECT:
9008277_00

=
+
SHEET 3
3 SH.

TAPCON® 230 - EXPERT



Fuer diese technische Unterlage behalten wir uns gemäss DIN 34 Abschnitt 2.1 und 2.2 alle Rechte vor.

DRAWING BY CAD
DO NOT MODIFY MANUALLY

02	X7,X1,X6 connection	01.10.21	LAINER	DATE	22.01.21
01	BCD Signal	30.06.21	KAHN	EXEC.	BECK
				VERIFIED	AP
NO.	MODIFICATION	DATE	NAME	STANDARD	

ORIGIN	REPL	REPL BY



TAPCON® 230 EXPERT

LANGUAGE: ES

PROJECT: 7870271_02

=	
+	
SHEET 1 3 SH.	

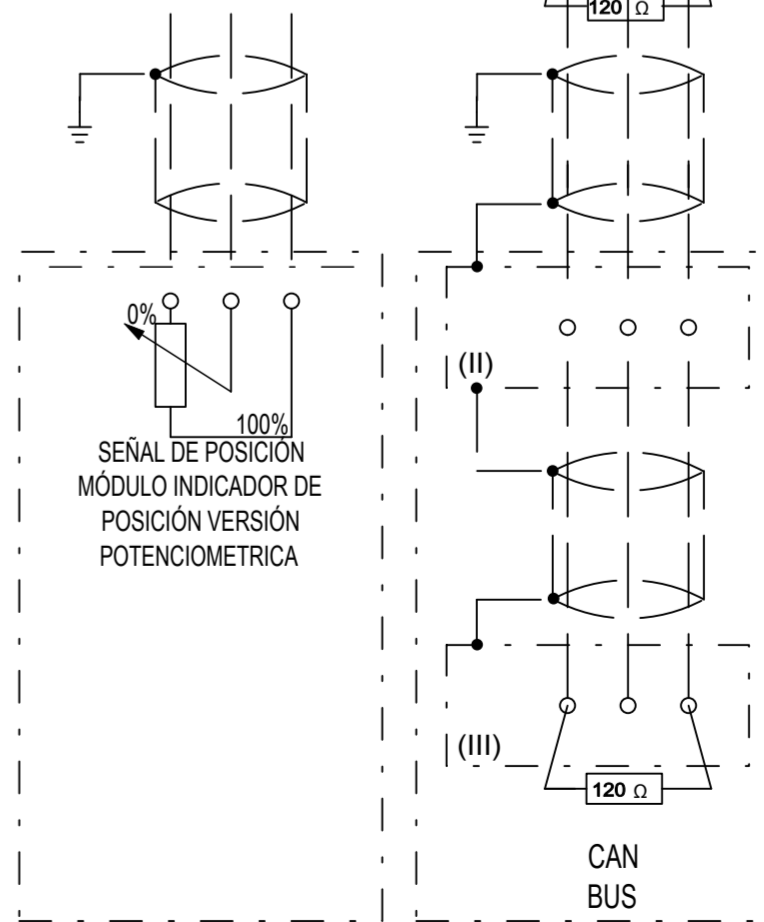
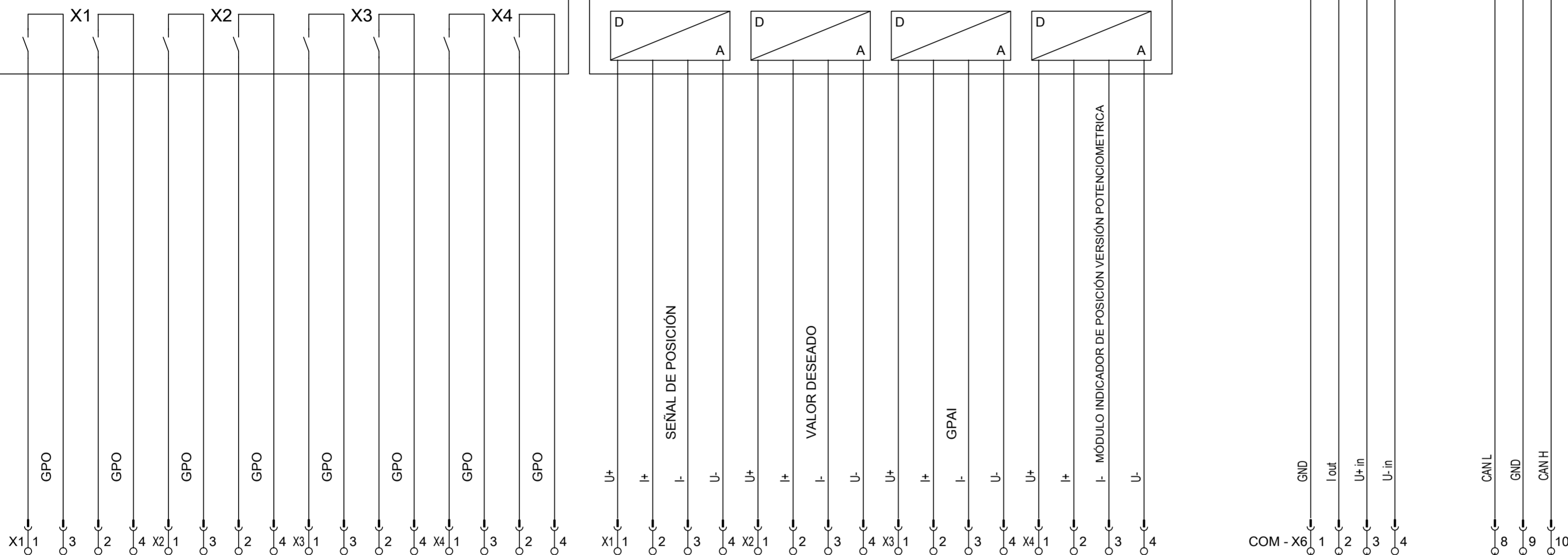
TAPCON® 230 - EXPERT

UNIDAD DE CÁLCULO CENTRAL

COM

SALIDAS DIGITALES DO 8-2

ENTRADAS ANALÓGICAS AI 4



Fuer diese technische Unterlage behalten wir uns gemaess DIN 34 Abschnitt 2.1 und 2.2 alle Rechte vor.

DRAWING BY CAD
DO NOT MODIFY MANUALLY

02	X7,X1,X6 connection	01.10.21	LAINER	DATE	22.01.21
01	BCD Signal	30.06.21	KAHN	EXEC.	BECK
				VERIFIED	AP
NO.	MODIFICATION	DATE	NAME	STANDARD	ORIGIN
					REPL
					REPL BY



TAPCON® 230 EXPERT

LANGUAGE:
ES

PROJECT:
7870271_02

SHEET 2
3 SH

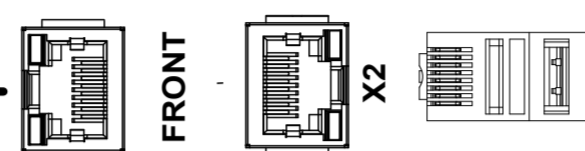
CUSTOMER

COM

CPU

VISU / SERVICE

RJ45



FRONT

X2

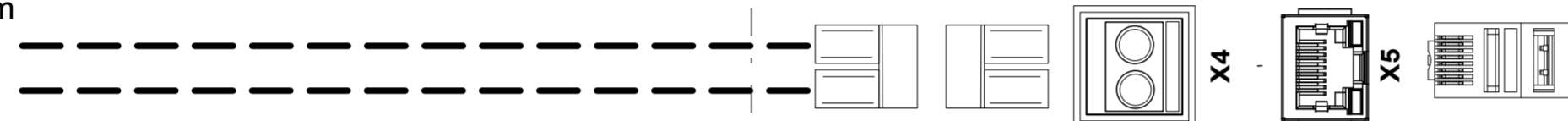
x3 RJ45

RJ45

x3 RJ45

LC 1310nm

SCADA ETHERNET



X4

X5

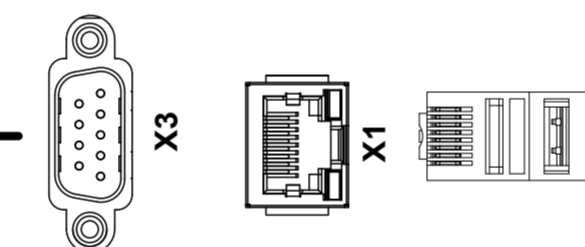
x2 RJ45

RJ45

x2 RJ45

PIN	SIGNAL
2	RxD
3	TxD
5	GND

RS232



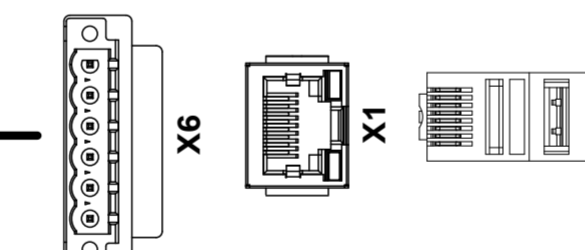
X3

X1

x5 RJ45

PIN	SIGNAL
5	Data -
6	GND
7	Data +

RS485



X6

X1

x4 RJ45

SCADA SERIAL

Fuer diese technische Unterlage behalten wir uns gemass DIN 34 Abschnitt 2.1 und 2.2 alle Rechte vor.

DRAWING BY CAD DO NOT MODIFY MANUALLY

NO.	MODIFICATION	DATE	NAME	STANDARD	ORIGIN	REPL	REPL BY
02	X7,X1,X6 connection	01.10.21	LAINER				
01	BCD Signal	30.06.21	KAHN				

DATE	22.01.21
EXEC.	BECK
VERIFIED	AP



TAPCON® 230 EXPERT

LANGUAGE: ES

PROJECT: 7870271_02

=	
+	

SHEET 3

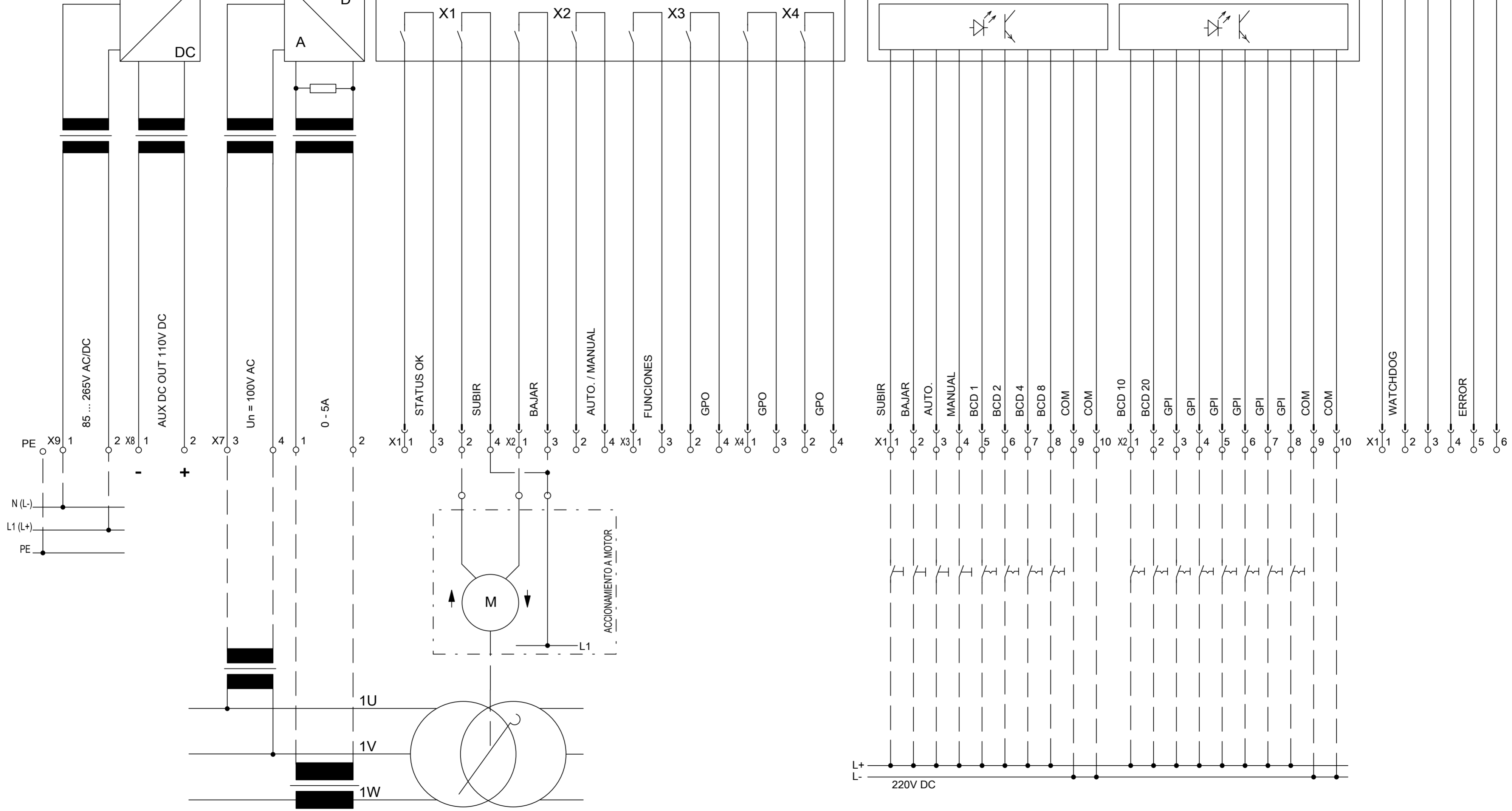
3 SH.

TAPCON® 230 - EXPERT



SALIDAS DIGITALES DO 8-1

ENTRADAS DIGITALES DI 16-220V



Fuer diese technische Unterlage behalten wir uns gemäss DIN 34 Abschnitt 2.1 und 2.2 alle Rechte vor.

DRAWING BY CAD
DO NOT MODIFY MANUALLY

DATE	06.09.2022						
EXEC.	BECK						
VERIFIED	AP						
NO.	MODIFICATION	DATE	NAME	STANDARD	ORIGIN	REPL	REPL BY



TAPCON® 230 EXPERT

LANGUAGE:
ES

PROJECT:
9008293_00

=	
+	
SHEET 1	
3 SH.	

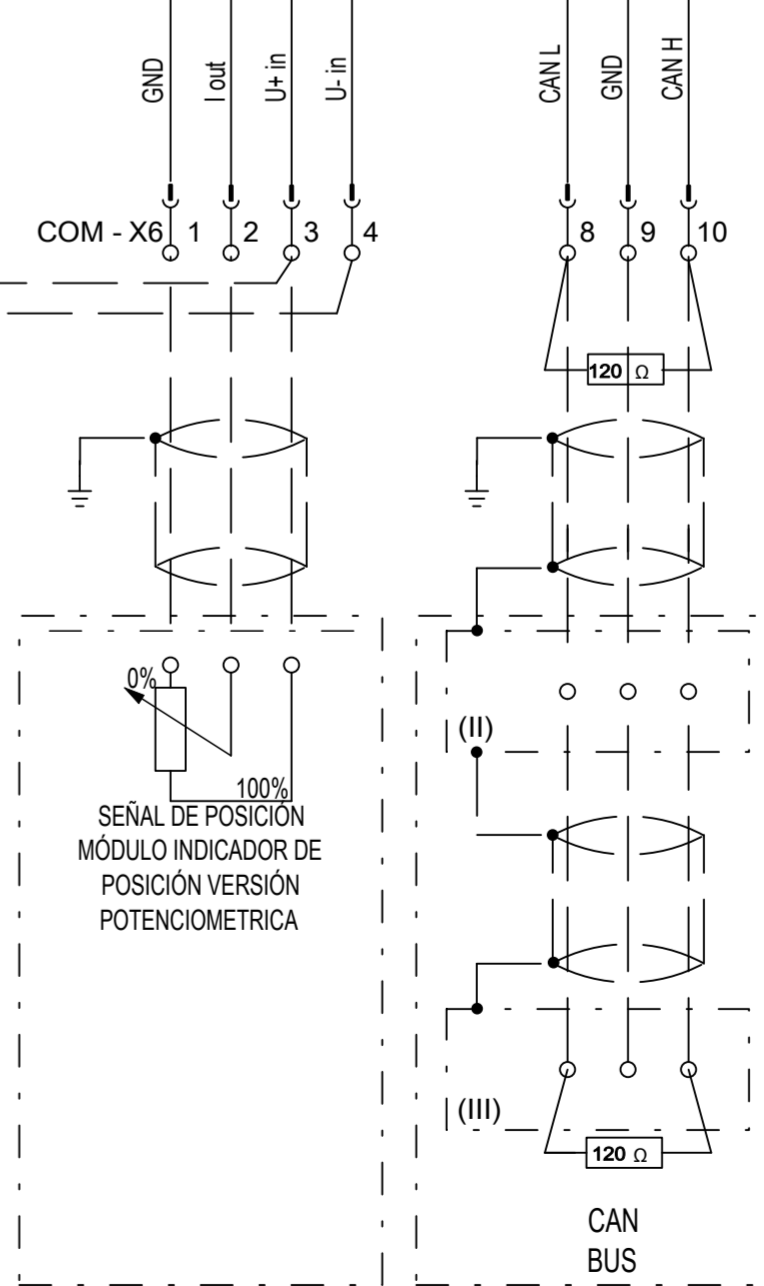
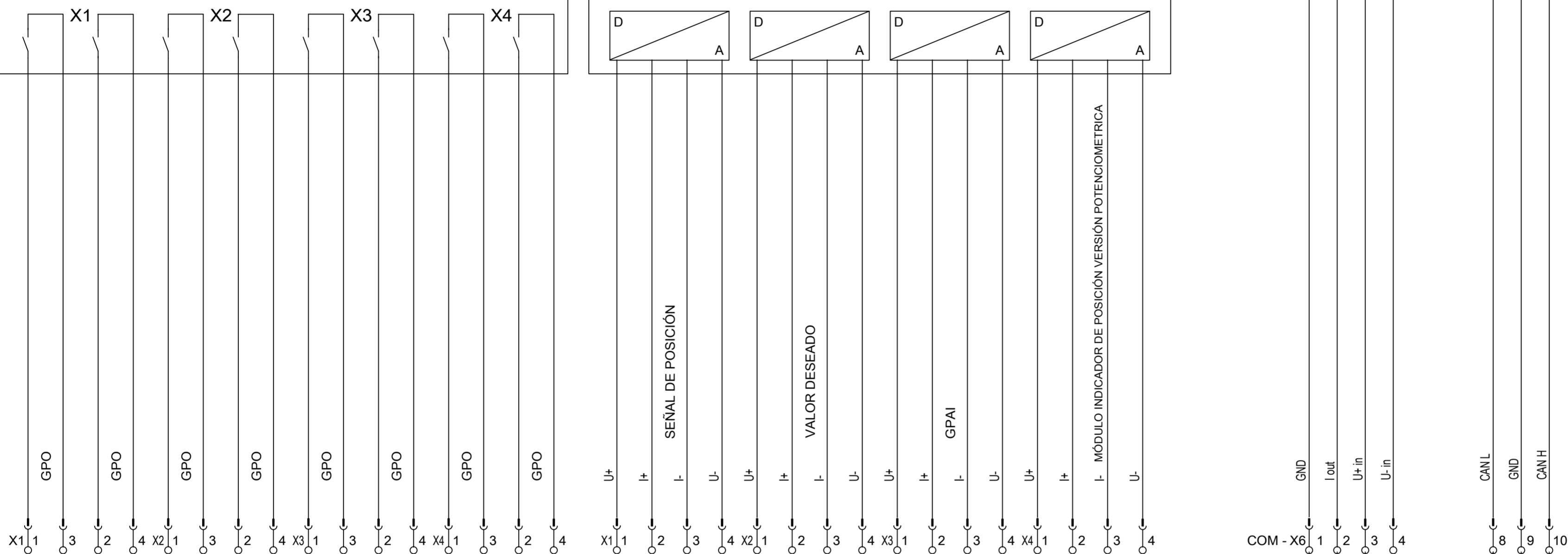
TAPCON® 230 - EXPERT

UNIDAD DE CÁLCULO CENTRAL

COM

SALIDAS DIGITALES DO 8-2

ENTRADAS ANALÓGICAS AI 4



Fuer diese technische Unterlage behalten wir uns gemaess
DIN 34 Abschnitt 2.1 und 2.2 alle Rechte vor.

DRAWING BY CAD
DO NOT MODIFY MANUALLY

NO.	MODIFICATION	DATE	NAME	STANDARD	ORIGIN	REPL	REPL BY
		06.09.2022	BECK				
			AP				



TAPCON® 230 EXPERT

LANGUAGE:
ES

PROJECT:
9008293_00

=	
+	
	SHEET 2
	3 SH.

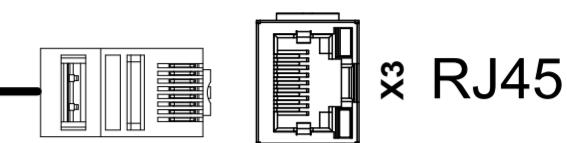
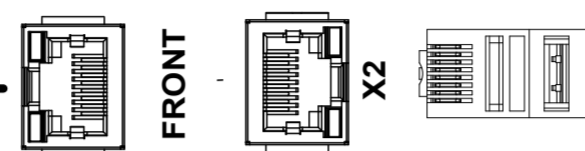
CUSTOMER

COM

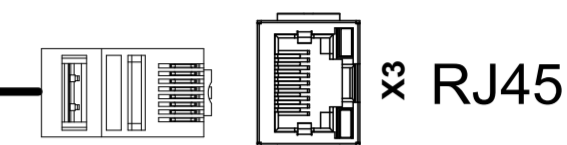
CPU

VISU / SERVICE

RJ45

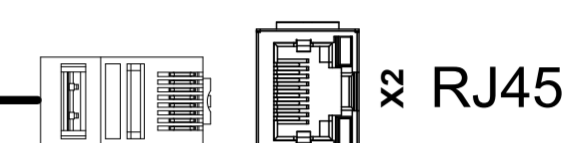
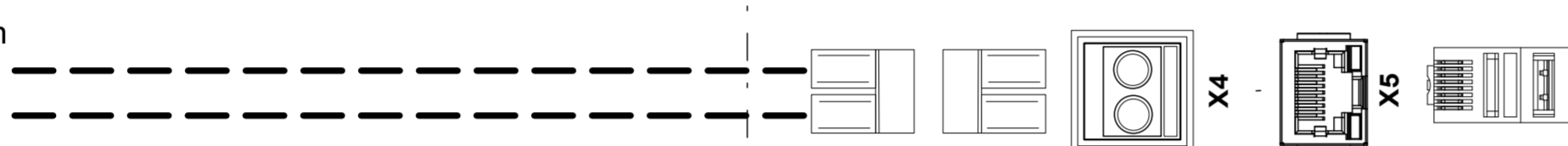


RJ45

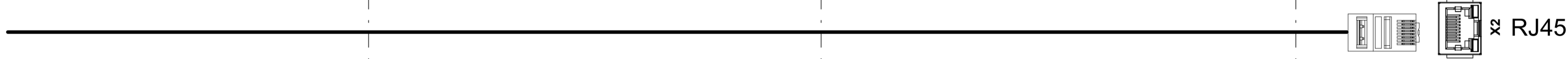


SCADA ETHERNET

LC 1310nm

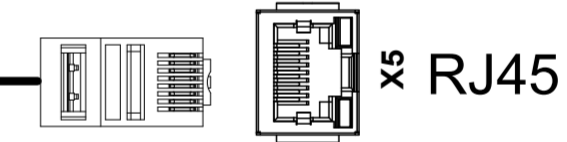
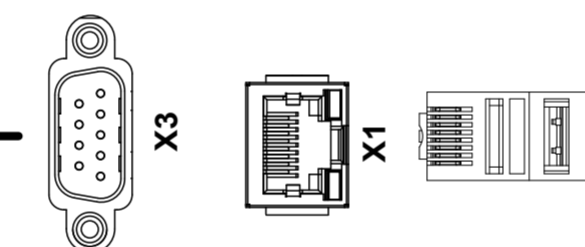


RJ45

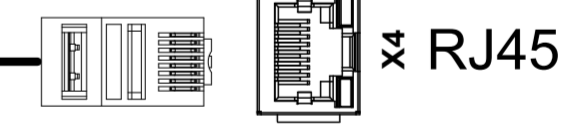
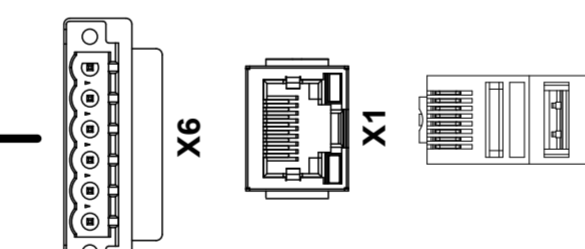


SCADA SERIAL

RS232



RS485



PIN	SIGNAL
2	RxD
3	TxD
5	GND

PIN	SIGNAL
5	Data -
6	GND
7	Data +

Fuer diese technische Unterlage behalten wir uns gemass DIN 34 Abschnitt 2.1 und 2.2 alle Rechte vor.

DRAWING BY CAD DO NOT MODIFY MANUALLY

DATE	06.09.2022						
EXEC.	BECK						
VERIFIED	AP						
NO.	MODIFICATION	DATE	NAME	STANDARD	ORIGIN	REPL	REPL BY



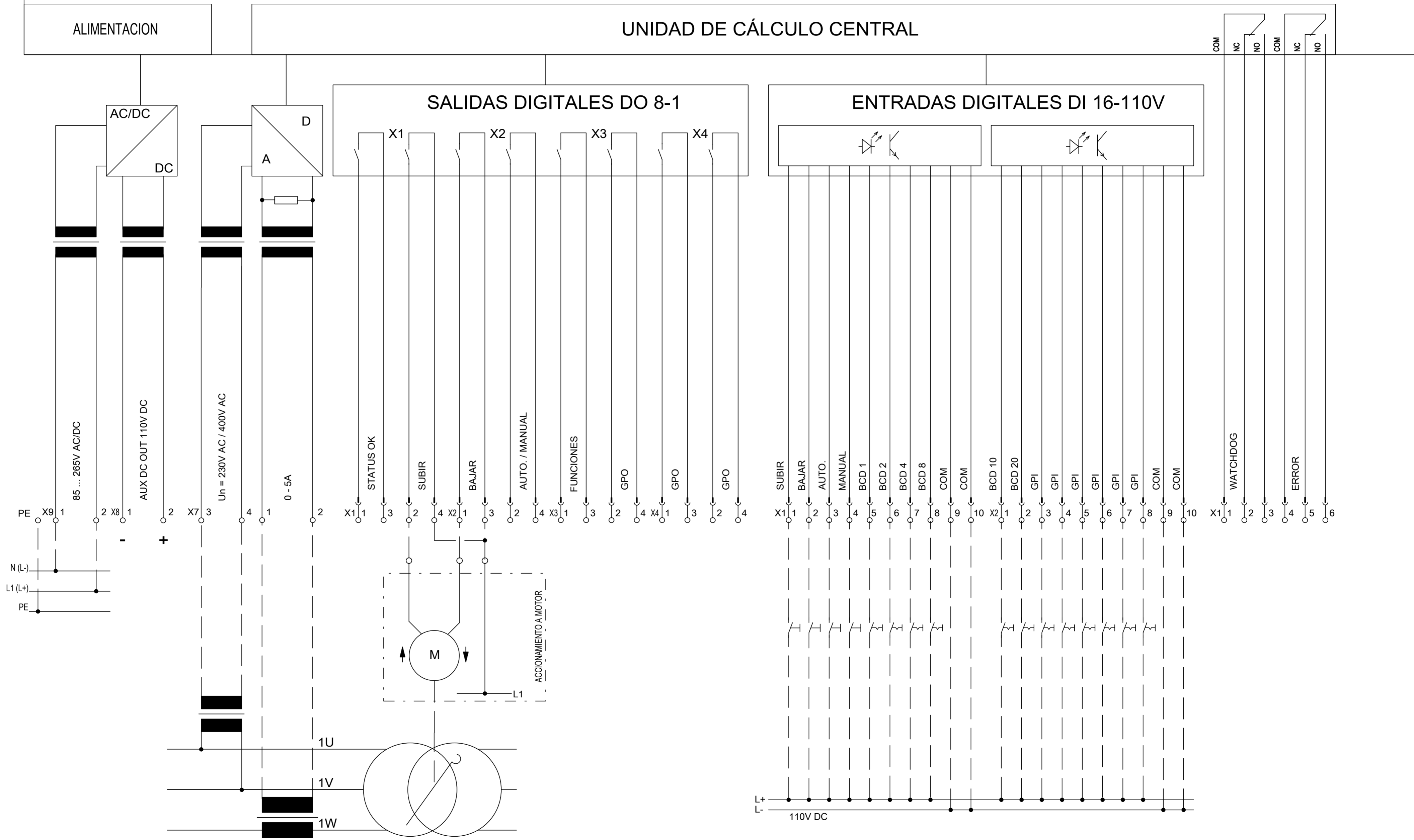
TAPCON® 230 EXPERT

LANGUAGE: ES

PROJECT: 9008293_00

=	
+	
SHEET	3
	3 SH.

TAPCON® 230 - AVT



Fuer diese technische Unterlage behalten wir uns gemäss DIN 34 Abschnitt 2.1 und 2.2 alle Rechte vor.

DRAWING BY CAD
DO NOT MODIFY MANUALLY

02	X7,X1,X6 connection	01.10.21	LAINER	DATE	22.01.2021
01	BCD SIGNAL	30.06.2021	KAHN	EXEC.	BECK
				VERIFIED	AP
NO.	MODIFICATION	DATE	NAME	STANDARD	

	ORIGIN	REPL	REPL BY
--	--------	------	---------



TAPCON® 230 AVT

LANGUAGE:
ES

PROJECT:
7870286_02

=	
+	
	SHEET 1
	3 SH.

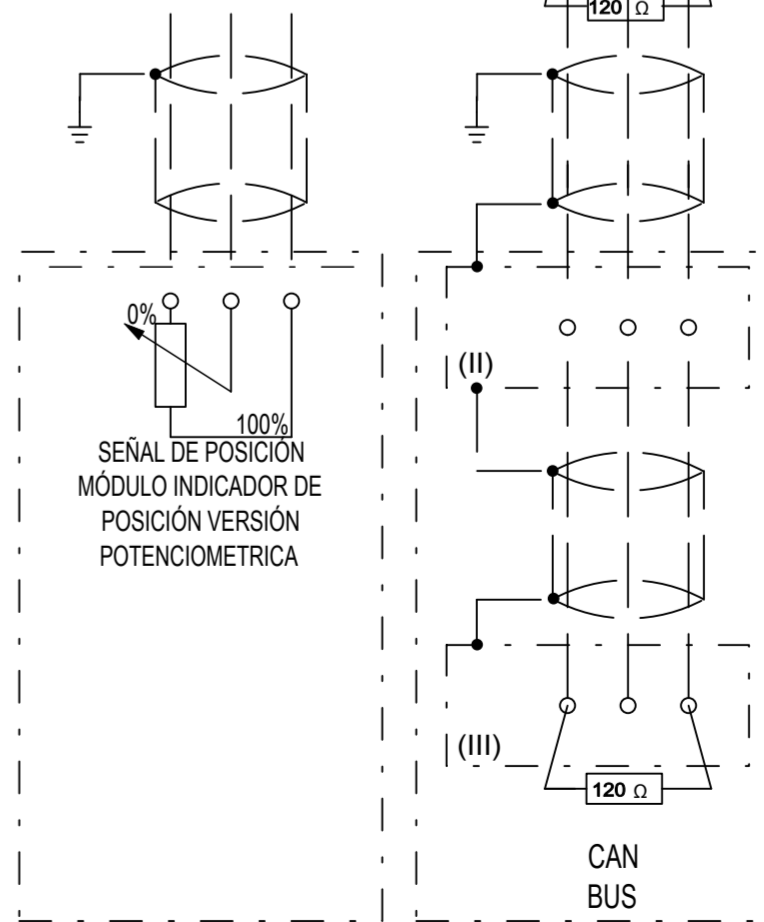
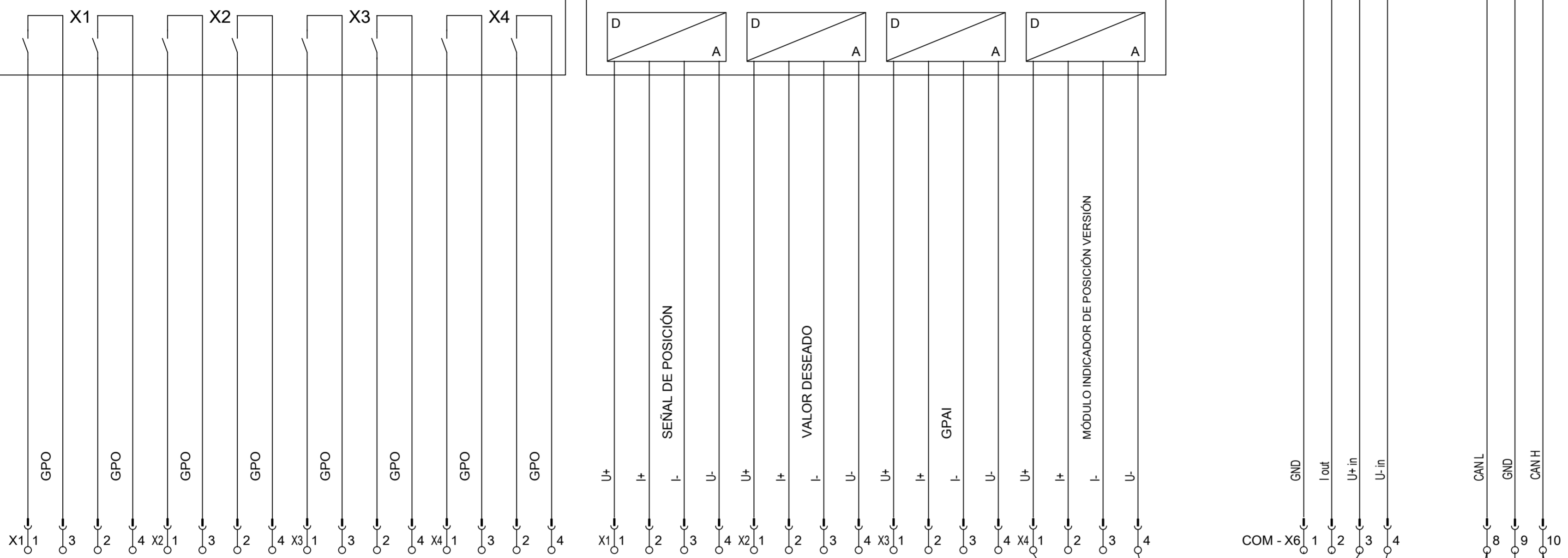
TAPCON® 230 - AVT

UNIDAD DE CÁLCULO CENTRAL

COM

SALIDAS DIGITALES DO 8-2

ENTRADAS ANALÓGICAS AI 4



Fuer diese technische Unterlage behalten wir uns gemaess DIN 34 Abschnitt 2.1 und 2.2 alle Rechte vor.

DRAWING BY CAD
DO NOT MODIFY MANUALLY

02	X7,X1,X6 connection	01.10.21	LAINER	DATE	22.01.2021
01	BCD SIGNAL	30.06.2021	KAHN	EXEC.	BECK
				VERIFIED	AP
NO.	MODIFICATION	DATE	NAME	STANDARD	ORIGIN
					REPL
					REPL BY

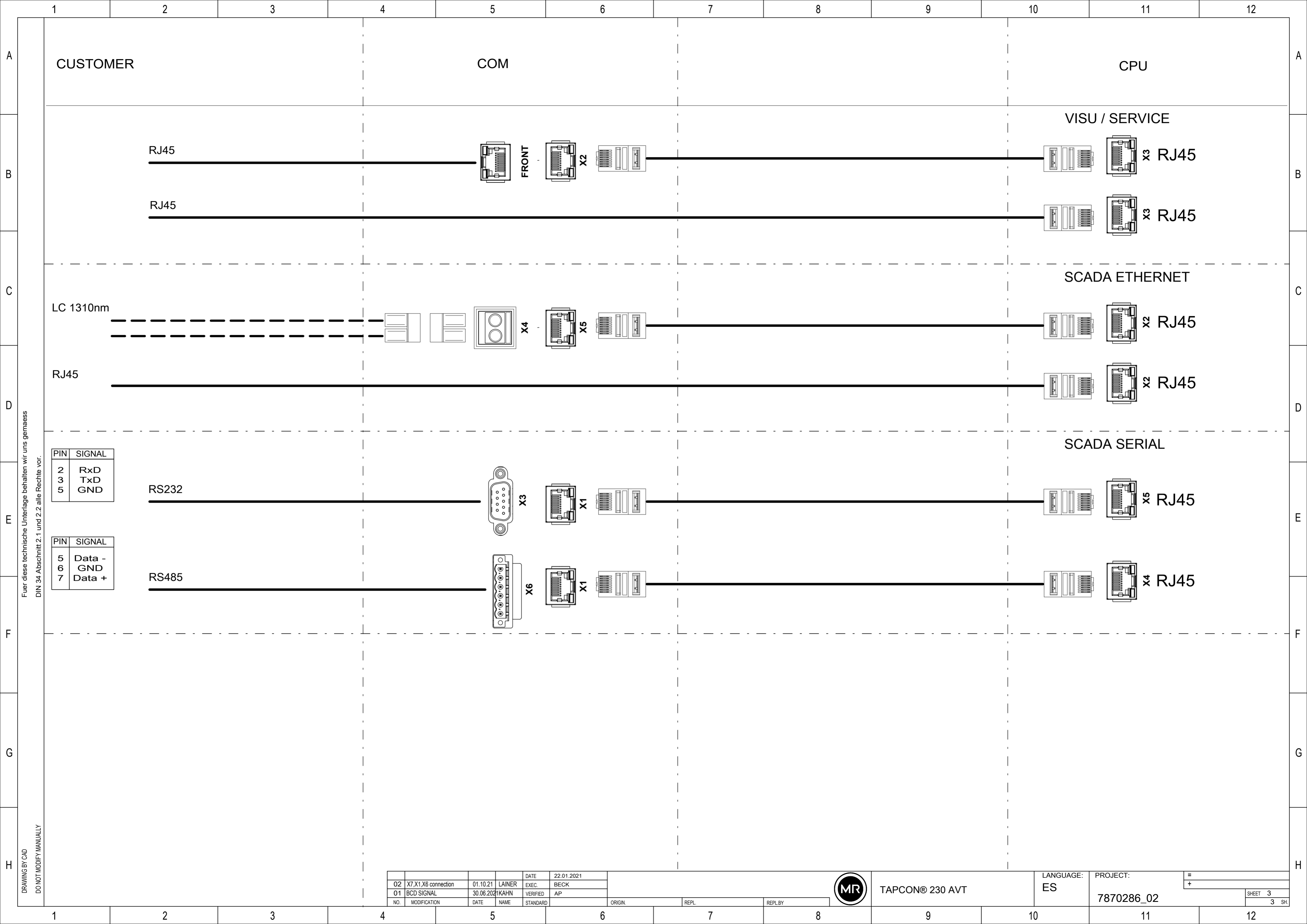


TAPCON® 230 AVT

LANGUAGE:
ES

PROJECT:
7870286_02

=	
+	
	SHEET 2
	3 SH.



Fuer diese technische Unterlage behalten wir uns gemass
DIN 34 Abschnitt 2.1 und 2.2 alle Rechte vor.

PIN	SIGNAL
2	RxD
3	TxD
5	GND

PIN	SIGNAL
5	Data -
6	GND
7	Data +

DRAWING BY CAD
DO NOT MODIFY MANUALLY

NO.	MODIFICATION	DATE	NAME	STANDARD	ORIGIN	REPL	REPL BY
02	X7,X1,X6 connection	01.10.21	LAINER				
01	BCD SIGNAL	30.06.2021	KAHN				



TAPCON® 230 AVT

LANGUAGE:
ES

PROJECT:
7870286_02

=	
+	
SHEET	3
	3 SH.

Índice de palabras clave

C		M		S	
Carcasa	103	Montaje mural	103	SCADA	
Compatibilidad electromagnética				Conexión	111
107		R		Sistema de control	111
I		Recomendación de cables	106	V	
Instrucciones de servicio				Visualización	
Descarga	124			Conexión	122
Descargar	124				

Maschinenfabrik Reinhausen GmbH

Falkensteinstrasse 8
93059 Regensburg
Germany
+49 941 4090-0
info@reinhausen.com
[reinhausen.com](https://www.reinhausen.com)

Please note:
The data in our publications may differ from the data of the devices delivered.
We reserve the right to make changes without notice.
7820658/06 - TAPCON® 230 Installation Instructions -
01/24
Maschinenfabrik Reinhausen GmbH 2024

THE POWER BEHIND POWER.



Montageanleitung TAPCON[®] 230. Spannungsregler

7820658/06



© Alle Rechte bei Maschinenfabrik Reinhausen

Weitergabe sowie Vervielfältigung dieses Dokumentes, Verwertung und Mitteilung seines Inhalts sind verboten, soweit nicht ausdrücklich gestattet.

Zuwerhandlungen verpflichten zu Schadenersatz. Alle Rechte für den Fall der Patent-, Gebrauchsmuster- und Geschmacksmustereintragung vorbehalten.

Nach Redaktionsschluss der vorliegenden Dokumentation können sich am Produkt Änderungen ergeben haben.

Änderungen der technischen Daten bzw. Konstruktionsänderungen sowie Änderungen des Lieferumfanges bleiben ausdrücklich vorbehalten.

Grundsätzlich sind die bei der Abwicklung der jeweiligen Angebote und Aufträge übermittelten Informationen und getroffenen Vereinbarungen verbindlich.

Das Produkt wird gemäß der Technischen Spezifikation der MR geliefert, welche auf Angaben des Kunden basieren. Dem Kunden obliegt die Sorgfaltspflicht, die Kompatibilität des spezifizierten Produktes mit dem kundenseitig geplanten Anwendungsbereich sicherzustellen.

Die Originalbetriebsanleitung wurde in deutscher Sprache erstellt.

Inhaltsverzeichnis

1 Einleitung	166	6 Erste Schritte	202
1.1 Hersteller	166	6.1 Verbindung zur Visualisierung herstellen	202
1.2 Vollständigkeit	166	6.2 Sprache einstellen	203
1.3 Aufbewahrungsort	166	6.3 Betriebsanleitung herunterladen	204
2 Sicherheit	167	7 Störungsbeseitigung	205
2.1 Bestimmungsgemäße Verwendung	167	7.1 Generelle Störungen	205
2.2 Bestimmungswidrige Verwendung	168	7.2 Human-Machine-Interface	205
2.3 Grundlegende Sicherheitshinweise	168	7.3 Sonstige Störungen	205
2.4 Qualifikation des Personals	170	8 Technische Daten	207
2.5 Persönliche Schutzausrüstung	170	8.1 Anzeigeelemente	207
3 IT-Sicherheit	172	8.2 Materialien	207
3.1 Allgemeines	172	8.3 Abmessungen	207
4 Produktbeschreibung	173	8.4 Stromversorgung	207
4.1 Funktionsbeschreibung der		8.5 Spannungsmessung und Strommessung	208
Spannungsregelung	173	8.6 Zentrale Recheneinheit	209
4.2 Lieferumfang	173	8.7 Digitale Eingänge	211
4.3 Aufbau	174	8.8 Digitale Ausgänge	212
4.3.1 Display, Bedienelemente und		8.9 Analoge Eingänge	214
Frontschnittstelle	174	8.10 Kommunikationsschnittstellen	215
4.3.2 LEDs	175	8.11 Stufenstellungserfassung/ Widerstandskontaktreihe	217
4.3.3 Anschlüsse und Sicherungen	176	8.12 Umgebungsbedingungen	217
4.3.4 Typenschild	177	8.13 Normen und Richtlinien	218
4.3.5 Sicherheitskennzeichnungen	178	8.14 Anschlussschaltbilder	219
4.3.6 Anschlussschaltbild und		TAPCON® 230 Basic (DI 16-110 V)	220
Erdungsschraube	178	TAPCON® 230 Basic (DI 16-220 V)	222
4.3.7 Visualisierung	178	TAPCON® 230 Pro (DI 16-110 V)	224
5 Montage	180	TAPCON® 230 Pro (DI 16-220 V)	227
5.1 Vorbereitung	180	TAPCON® 230 Expert (DI 16-110 V)	230
5.2 Mindestabstände	180	TAPCON® 230 Expert (DI 16-220 V)	233
5.3 Montagevarianten	181	TAPCON® 230 AVT	236
5.3.1 Schalttafeleinbau	181	Stichwortverzeichnis	239
5.3.2 Wandmontage mit Gehäuse (optional)	183		
5.4 Gerät anschließen	186		
5.4.1 Kabelempfehlung	186		
5.4.2 Elektromagnetische Verträglichkeit	187		
5.4.3 Leitungen an die Anlagenperipherie			
anschließen	189		
5.4.4 CAN-Bus anschließen	189		
5.4.5 SCADA anschließen	191		
5.4.6 Spannungsmessung/Strommessung UI			
verdrahten	195		
5.4.7 Analoge Eingänge AI verdrahten	196		
5.4.8 Digitale Eingänge DI 16-110 V verdrahten ...	197		
5.4.9 Digitale Eingänge DI 16-220 V			
verdrahten	197		
5.4.10 Digitale Ausgänge DO verdrahten	198		
5.4.11 Widerstandskontaktreihe verdrahten	198		
5.4.12 Stromversorgung und Erdung	198		
5.5 Prüfungen durchführen	201		

1 Einleitung

Diese technische Unterlage enthält detaillierte Beschreibungen, um das Produkt sicher und sachgerecht einzubauen, anzuschließen, in Betrieb zu nehmen und zu überwachen.

Daneben enthält sie Sicherheitshinweise sowie allgemeine Hinweise zum Produkt.

Zielgruppe dieser technischen Unterlage ist ausschließlich speziell geschultes und autorisiertes Fachpersonal.

1.1 Hersteller

Maschinenfabrik Reinhausen GmbH
Falkensteinstraße 8
93059 Regensburg
Deutschland
+49 941 4090-0
sales@reinhausen.com
reinhausen.com

MR Reinhausen Kundenportal: <https://portal.reinhausen.com>.

Bei Bedarf erhalten Sie unter dieser Adresse weitere Informationen zum Produkt und Ausgaben dieser technischen Unterlage.

1.2 Vollständigkeit

Diese technische Unterlage ist nur zusammen mit den folgenden mitgeltenden Dokumenten vollständig:

- Anschlussschaltbilder
- Betriebsanleitung
 - Als Download verfügbar auf dem Gerät
 - Als Download verfügbar unter www.reinhausen.com
 - Als Download verfügbar im MR-Kundenportal <https://portal.reinhausen.com>

1.3 Aufbewahrungsort

Bewahren Sie diese technische Unterlage sowie sämtliche mitgeltenden Dokumente griffbereit und jederzeit zugänglich für den späteren Gebrauch auf. Laden Sie sich die Betriebsanleitung vom Gerät herunter. Die Betriebsanleitung finden Sie zusätzlich auf der Homepage der Maschinenfabrik Reinhausen GmbH oder im MR-Kundenportal.

2 Sicherheit

- Lesen Sie diese technische Unterlage durch, um sich mit dem Produkt vertraut zu machen.
- Diese technische Unterlage ist Teil des Produkts.
- Drucken Sie das heruntergeladene Dokument aus oder speichern es auf einem Datenträger, der immer griffbereit und jederzeit zugänglich ist.
- Lesen und beachten Sie die Sicherheitshinweise in diesem Kapitel.
- Lesen und beachten Sie die Warnhinweise in dieser technischen Unterlage, um funktionsbedingte Gefahren zu vermeiden.
- Das Produkt ist nach dem Stand der Technik hergestellt. Dennoch können bei nicht bestimmungsgemäßer Verwendung funktionsbedingt Gefahren für Leib und Leben des Benutzers oder Beeinträchtigungen des Produkts und anderer Sachwerte entstehen.

2.1 Bestimmungsgemäße Verwendung

Das Gerät dient dazu, die Ausgangsspannung eines Transformators mit Laststufenschalter konstant zu halten. Das Produkt ist ausschließlich für den Einsatz in ortsfesten Großanlagen und Einrichtungen der elektrischen Energietechnik vorgesehen.

Bei bestimmungsgemäßer Verwendung und Einhaltung der in dieser technischen Unterlage genannten Voraussetzungen und Bedingungen, sowie der Beachtung der in dieser technischen Unterlage und am Produkt angebrachten Warnhinweise, gehen vom Produkt keine Gefahren für Personen, Sachwerte und die Umwelt aus. Dies gilt über die gesamte Lebensdauer, von der Lieferung über die Montage und den Betrieb bis zur Demontage und Entsorgung.

Als bestimmungsgemäße Verwendung gilt Folgendes:

- Die für das Produkt gültige Norm einschließlich Ausgabejahr finden Sie auf dem Typenschild.
- Betreiben Sie das Produkt gemäß dieser technischen Unterlage, der vereinbarten Lieferbedingungen und der technischen Daten.
- Stellen Sie sicher, dass alle erforderlichen Arbeiten nur durch qualifiziertes Personal durchgeführt werden.
- Verwenden Sie die mitgelieferten Vorrichtungen und Spezialwerkzeuge ausschließlich für den vorgesehenen Zweck und entsprechend der Festlegungen dieser technischen Unterlage.
- Betreiben Sie das Produkt ausschließlich in Industriegebieten.
- Beachten Sie die Hinweise in dieser technischen Unterlage zur Elektromagnetischen Verträglichkeit und zu den Technischen Daten.
- Das Produkt ist für den Einbau vorgesehen. Stellen Sie sicher, dass alle Brandschutzvorkehrungen und der Schutz gegen einen elektrischen Schlag erfüllt sind.
- Stellen Sie sicher, dass die Beständigkeit gegen mechanische Beanspruchung erfüllt ist.

2.2 Bestimmungswidrige Verwendung

Als bestimmungswidrige Verwendung gilt, wenn das Produkt anders verwendet wird, als es im Abschnitt Bestimmungsgemäße Verwendung beschrieben ist.

Beachten Sie zudem Folgendes:

- Das Produkt ist kein Schutzgerät. Verwenden Sie es nicht, um sicherheitsrelevante Funktionen abzubilden.
- Betreiben Sie das Produkt nicht in explosionsgefährdeten Bereichen.

2.3 Grundlegende Sicherheitshinweise

Zur Vermeidung von Unfällen, Störungen und Havarien sowie unzulässigen Beeinträchtigungen der Umwelt muss der jeweils Verantwortliche für Transport, Montage, Betrieb, Instandhaltung und Entsorgung des Produkts oder von Teilen des Produkts Folgendes sicherstellen:

Persönliche Schutzausrüstung

Locker getragene oder nicht geeignete Kleidung erhöht die Gefahr durch Erfassen oder Aufwickeln an rotierenden Teilen und die Gefahr durch Hängenbleiben an hervorstehenden Teilen. Dadurch besteht Gefahr für Leib und Leben.

- Für die jeweilige Tätigkeit persönliche Schutzausrüstung wie einen Helm, Arbeitsschutzschuhe, etc. tragen.
- Niemals beschädigte persönliche Schutzausrüstung tragen.
- Niemals Ringe, Ketten und anderen Schmuck tragen.
- Bei langen Haaren Haarnetz tragen.

Arbeitsbereich

Unordnung und unbeleuchtete Arbeitsbereiche können zu Unfällen führen.

- Arbeitsbereich sauber und aufgeräumt halten.
- Sicherstellen, dass der Arbeitsbereich gut beleuchtet ist.
- Die geltenden Gesetze zur Unfallverhütung in dem jeweiligen Land einhalten.

Arbeiten im Betrieb

Das Produkt dürfen Sie nur in einwandfreiem, funktionstüchtigem Zustand betreiben. Andernfalls besteht Gefahr für Leib und Leben.

- Sicherheitseinrichtungen regelmäßig auf ihre Funktionstüchtigkeit prüfen.
- Die in dieser technischen Unterlage beschriebenen Inspektionsarbeiten, Wartungsarbeiten sowie Wartungsintervalle einhalten.

Unsichtbare Laserstrahlung

Wenn Sie direkt oder in den reflektierenden Strahl blicken, kann dies das Auge schädigen. Der Strahl tritt an den optischen Anschlüssen oder am Ende der daran angeschlossenen Lichtwellenleiter an den Baugruppen aus. Lesen Sie dazu auch das Kapitel „Technischen Daten“ [► Abschnitt 8, Seite 207].

- Niemals direkt oder in den reflektierenden Strahl blicken.
- Niemals mit optischen Instrumenten wie z. B. einer Lupe oder einem Mikroskop in den Strahl blicken.
- Falls die Laserstrahlung ins Auge trifft, Augen bewusst schließen und den Kopf sofort aus dem Strahl bewegen.

Umgang mit Stromwandlern

Während des Betriebs eines Stromwandlers mit offenem Sekundärstromkreis können gefährlich hohe Spannungen auftreten. Dies kann zu Verletzungen und Sachschäden führen.

- Niemals Stromwandler mit offenem Sekundärstromkreis betreiben, deshalb Stromwandler kurzschließen.
- Die Hinweise in der Betriebsanleitung des Stromwandlers beachten.

Umgang mit elektrischen Komponenten

Elektrische Komponenten können durch elektrostatische Entladungen beschädigt werden.

- Niemals elektrische Komponenten während der Inbetriebnahme, des Betriebs oder bei Wartungsarbeiten berühren.
- Durch geeignete Maßnahmen (z. B. Abdeckungen) sicherstellen, dass Komponenten nicht durch das Personal berührt werden können.
- Geeignete persönliche Schutzausrüstung tragen.

Explosionsschutz

Leichtentzündliche oder explosionsfähige Gase, Dämpfe und Stäube können zu schweren Explosionen und Brand führen.

- Produkt nicht in explosionsgefährdeten Bereichen montieren und betreiben.

Sicherheitskennzeichnungen

Warnhinweisschilder und Sicherheitshinweisschilder sind Sicherheitskennzeichnungen am Produkt. Sie sind wichtiger Bestandteil des Sicherheitskonzepts.

- Alle Sicherheitskennzeichnungen am Produkt beachten.
- Alle Sicherheitskennzeichnungen am Produkt vollzählig und lesbar halten.
- Beschädigte oder nicht mehr vorhandene Sicherheitskennzeichnungen erneuern.

Umgebungsbedingung

Um einen zuverlässigen und sicheren Betrieb zu gewährleisten, ist das Produkt nur unter den in den technischen Daten angegebenen Umgebungsbedingungen zu betreiben.

- Angegebene Betriebsbedingungen und Anforderungen an den Aufstellort beachten.

Veränderungen und Umbauten

Unerlaubte oder nicht sachgerechte Veränderungen des Produkts können zu Personenschäden, Sachschäden sowie Funktionsstörungen führen.

- Produkt ausschließlich nach Rücksprache mit der Maschinenfabrik Reinhausen GmbH verändern.

Ersatzteile

Nicht von der Maschinenfabrik Reinhausen GmbH zugelassene Ersatzteile können zu Personenschäden, Sachschäden sowie Funktionsstörungen am Produkt führen.

- Ausschließlich die von der Maschinenfabrik Reinhausen GmbH zugelassenen Ersatzteile verwenden.
- Maschinenfabrik Reinhausen GmbH kontaktieren.

2.4 Qualifikation des Personals

Die verantwortliche Person für Montage, Inbetriebnahme, Bedienung, Wartung und Inspektion muss eine ausreichende Qualifikation des Personals sicherstellen.

Elektrofachkraft

Die Elektrofachkraft verfügt aufgrund ihrer fachlichen Ausbildung über Kenntnisse und Erfahrungen sowie Kenntnis der einschlägigen Normen und Bestimmungen. Zudem verfügt die Elektrofachkraft über folgende Fähigkeiten:

- Die Elektrofachkraft erkennt selbständig mögliche Gefahren und ist in der Lage sie zu vermeiden.
- Die Elektrofachkraft ist in der Lage, Arbeiten an elektrischen Anlagen auszuführen.
- Die Elektrofachkraft ist speziell für das Arbeitsumfeld ausgebildet, in dem sie tätig ist.
- Die Elektrofachkraft muss die Bestimmungen der geltenden gesetzlichen Vorschriften zur Unfallverhütung erfüllen.

Elektrotechnisch unterwiesene Personen

Eine elektrotechnisch unterwiesene Person wird durch eine Elektrofachkraft über die ihr übertragenen Aufgaben und möglichen Gefahren bei unsachgemäßem Verhalten sowie über Schutzeinrichtungen und Schutzmaßnahmen unterrichtet und angelernt. Die elektrotechnisch unterwiesene Person arbeitet ausschließlich unter der Leitung und Aufsicht einer Elektrofachkraft.

Bediener

Der Bediener nutzt und bedient das Produkt im Rahmen dieser technischen Unterlage. Er wird vom Betreiber über die speziellen Aufgaben und die daraus möglichen Gefahren bei unsachgemäßem Verhalten unterrichtet und geschult.

Technischer Service

Es wird dringend empfohlen, Wartungen, Reparaturen sowie Nachrüstungen durch unseren Technischen Service ausführen zu lassen. Hierdurch wird die fachgerechte Ausführung aller Arbeiten gewährleistet. Wird eine Wartung nicht durch unseren Technischen Service ausgeführt, ist sicherzustellen, dass das Personal durch die Maschinenfabrik Reinhausen GmbH ausgebildet und autorisiert ist.

Autorisiertes Personal

Das autorisierte Personal wird von der Maschinenfabrik Reinhausen GmbH für spezielle Wartungen geschult und ausgebildet.

2.5 Persönliche Schutzausrüstung

Bei der Arbeit ist das Tragen von persönlicher Schutzausrüstung erforderlich, um die Gesundheitsgefahren zu minimieren.

- Die für die jeweilige Arbeit notwendige Schutzausrüstung während der Arbeit stets tragen.
- Niemals beschädigte Schutzausrüstung tragen.
- Im Arbeitsbereich angebrachte Hinweise zur persönlichen Schutzausrüstung befolgen.

Arbeitsschutzkleidung	Eng anliegende Arbeitskleidung mit geringer Reißfestigkeit, mit engen Ärmeln und ohne abstehende Teile. Sie dient vorwiegend zum Schutz vor Erfassen durch bewegliche Maschinenteile.
Sicherheitsschuhe	Zum Schutz vor schweren herabfallenden Teilen und Ausrutschen auf rutschigem Untergrund.
Schutzbrille	Zum Schutz der Augen vor umherfliegenden Teilen und Flüssigkeitsspritzern.
Gesichtsschutzschirm	Zum Schutz des Gesichts vor umherfliegenden Teilen und Flüssigkeitsspritzern oder anderen gefährlichen Substanzen.
Schutzhelm	Zum Schutz vor herabfallenden und umherfliegenden Teilen und Materialien.
Gehörschutz	Zum Schutz vor Gehörschäden.
Schutzhandschuhe	Zum Schutz vor mechanischen, thermischen und elektrischen Gefährdungen.

Tabelle 1: Persönliche Schutzausrüstung

3 IT-Sicherheit

Beachten Sie nachfolgende Empfehlungen für den sicheren Betrieb des Produkts.

3.1 Allgemeines

- Stellen Sie sicher, dass nur befugte Personen Zugang zum Gerät haben.
- Verwenden Sie das Gerät ausschließlich innerhalb einer elektronischen Sicherheitszone (ESP – electronic security perimeter). Verbinden Sie das Gerät nicht ungeschützt mit dem Internet. Verwenden Sie Mechanismen zur vertikalen und horizontalen Netzwerksegmentierung und Sicherheitsgateways (Firewalls) an den Übergängen.
- Stellen Sie sicher, dass das Gerät ausschließlich von geschultem Personal bedient wird, das hinsichtlich IT-Sicherheit sensibilisiert ist.
- Prüfen Sie regelmäßig, ob Software-Updates für das Gerät zur Verfügung stehen und führen Sie die Updates durch.

4 Produktbeschreibung

4.1 Funktionsbeschreibung der Spannungsregelung

Das Gerät dient dazu, die Ausgangsspannung eines Transformators mit Laststufenschalter konstant zu halten.

Das Gerät vergleicht die Messspannung des Transformators U_{Ist} mit einer definierten Sollspannung U_{Soll} . Die Differenz von U_{Ist} zu U_{Soll} stellt die Regelabweichung dU dar.

Die Parameter des Geräts können dem Verhalten der Netzspannung angepasst werden, so dass ein ausgewogenes Regelverhalten bei geringer Schaltzahl des Laststufenschalters erreicht wird.

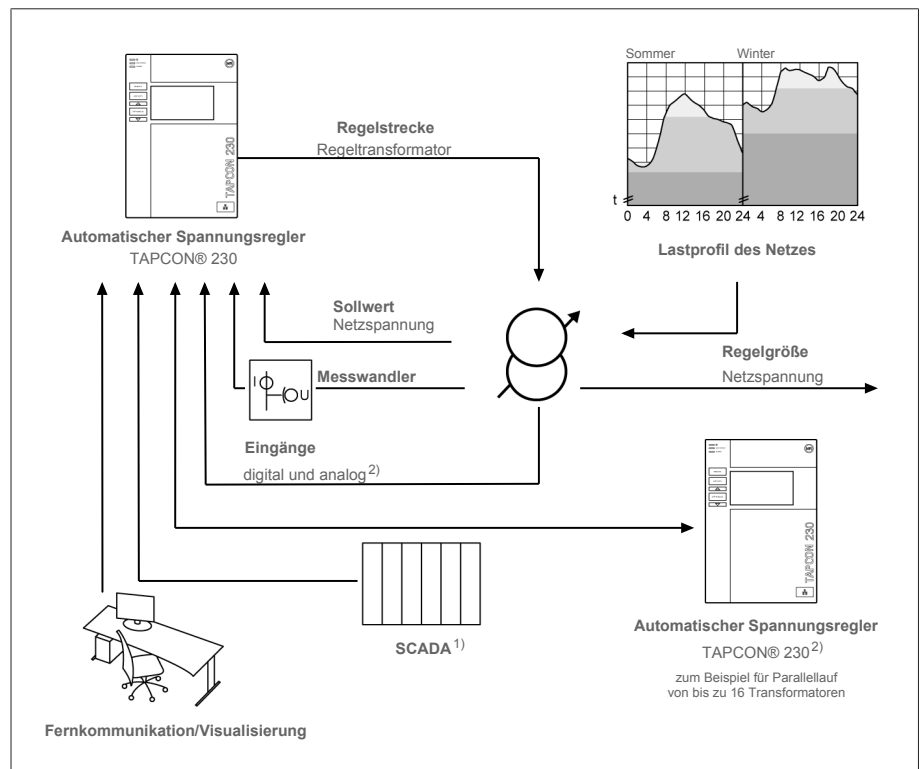


Abbildung 1: Übersicht zur Spannungsregelung

¹⁾Nur bei den Varianten TAPCON® 230 Expert und AVT.

²⁾Nur bei den Varianten TAPCON® 230 Pro, Expert und AVT.

4.2 Lieferumfang

Prüfen Sie die Lieferung anhand der Versandpapiere auf Vollständigkeit.

- Spannungsregler
- Patchkabel RJ45
- Schirmschellen

- Steckverbinder
- Spannklemmen
- Technische Unterlagen
- Zusätzliches Typenschild
- Abschlusswiderstand für CAN-Bus
- Abschlusswiderstand für RS485-Bus

Optional

- Gehäuse für die Wandmontage
- Gerätetypabhängig:
 - Ethernet auf LWL-Konverter (SFP-Modul)
 - Seriell auf LWL-Konverter

4.3 Aufbau

4.3.1 Display, Bedienelemente und Frontschnittstelle

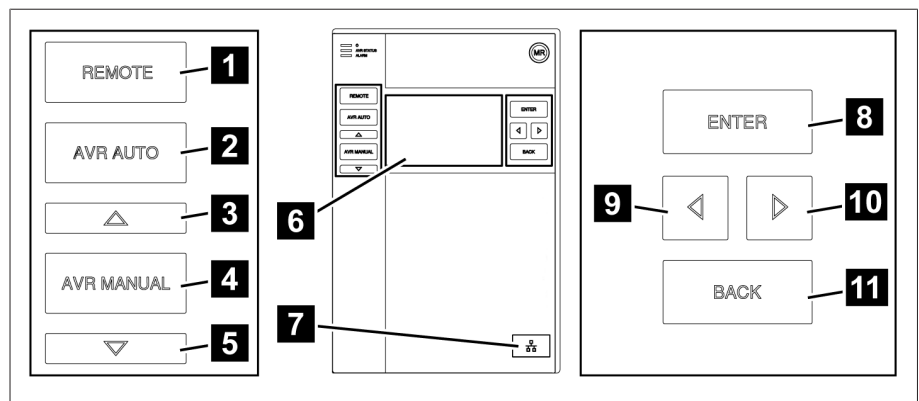


Abbildung 2: Spannungsregler

1	Taste REMOTE ²¹	Betriebsart REMOTE aktivieren
2	Taste AUTO	Betriebsart AUTO aktivieren
3	Taste HÖHER ²²	Steuerbefehl an den Motorantrieb senden, um die Spannung zu erhöhen.
4	Taste MANUAL	Betriebsart MANUAL aktivieren
5	Taste TIEFER ²²	Steuerbefehl an den Motorantrieb senden, um die Spannung zu verringern.
6	Display	-
7	Frontschnittstelle	Ethernet-Schnittstelle RJ45
8	Taste ENTER	Auswahl bestätigen/veränderte Parameter speichern
9	CURSOR links	Navigation im Menü nach links
10	CURSOR rechts	Navigation im Menü nach rechts
11	Taste BACK	Aktuelles Menü verlassen. In vorherige Menüebene gelangen

²¹ Taste ohne Funktion, wenn die Umschaltung von LOCAL/REMOTE über einen digitalen Eingang erfolgt.

²² Nur im Handbetrieb möglich.

4.3.2 LEDs

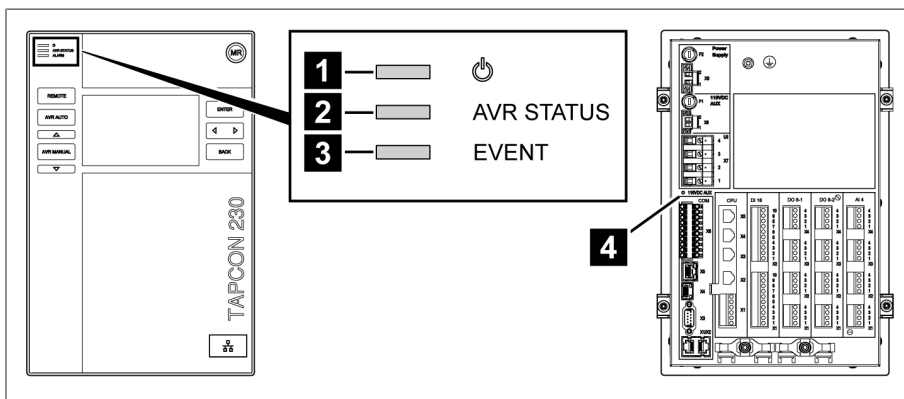


Abbildung 3: LEDs

1	LED Stromversorgung	Blau	Leuchtet, wenn das Gerät mit Strom versorgt ist.
2	LED AVR STATUS	Rot	Leuchtet, wenn sich das Gerät im Fehlerzustand befindet.
		Gelb	Leuchtet, wenn das Gerät startet oder angehalten wurde; z. B. bei einer Aktualisierung der Software.
		Blau	Leuchtet, wenn sich das Gerät im Betriebszustand befindet.
3	LED ALARM	Rot	Leuchtet, sobald ein Rot-Ereignis ansteht.
		Gelb	Leuchtet, sobald ein Gelb-Ereignis ansteht.
		Blau	Leuchtet, wenn kein Ereignis oder ein Grau-Ereignis ansteht.
4	LED X8 110V DC Ausgang	Gelb	Leuchtet, wenn der Ausgang 110V DC aktiv ist.

4.3.3 Anschlüsse und Sicherungen

Auf der Rückseite des Geräts befinden sich die Anschlüsse. Weitere Informationen zu den Anschlüssen finden Sie im Abschnitt Technische Daten [► Abschnitt 8, Seite 207].

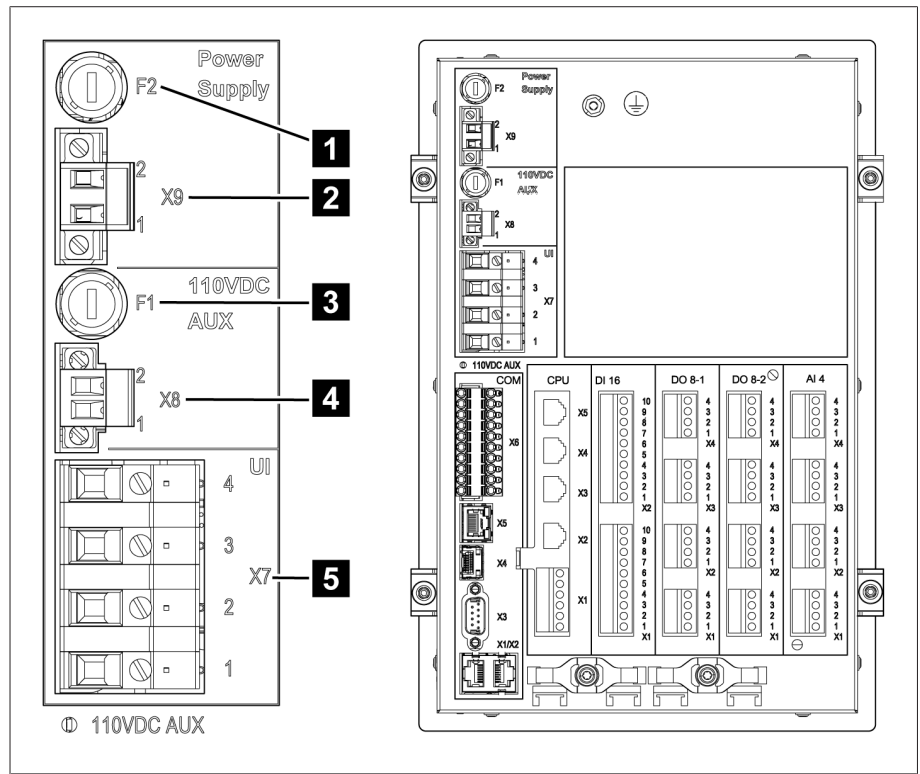


Abbildung 4: Rückseite

1	F2	Interne Sicherung für die Stromversorgung	2	X9	Spannungsversorgung
3	F1	Interne Sicherung für die Hilfsspannungsquelle 110V DC ²³	4	X8	Hilfsspannungsquelle 110V DC AUX ²³
5	X7	Spannungsmessung/ Strommessung			

²³ Kann bei Geräten mit DI 16-110V zur Versorgung der digitalen Eingänge verwendet werden. Prüfen Sie anhand der Anschlussklemmenbezeichnung auf der Rückseite des Gerätes, welche Variante Ihnen zur Verfügung steht.

Anschlüsse und Klemmen

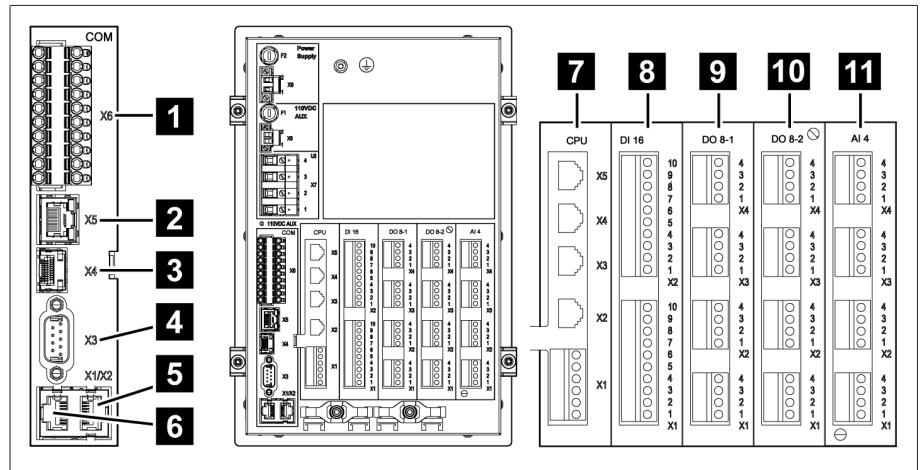


Abbildung 5: Anschlüsse/Klemmen

1	COM-X6	CAN-Bus ²⁴ /SCADA-Schnittstelle RS485 ²⁵ /Widerstandskontaktreihe	2	COM-X5	Schnittstelle für Patchkabel für SCADA über Lichtwellenleiter
3	COM-X4	Lichtwellenleiter ²⁵ (SFP-Cage für das SFP-Modul)	4	COM-X3	SCADA-Schnittstelle RS232 ²⁵
5	COM-X2	Schnittstelle für die Visualisierung über die Frontschnittstelle	6	COM-X1	Schnittstelle für Patchkabel für RS232 oder RS485
7	CPU	Zentrale Recheneinheit	8	DI 16-110V DI 16-220V	Digitale Eingänge ²⁶
9	DO 8-1	Digitale Ausgänge ²⁴	10	DO 8-2	Digitale Ausgänge ²⁴
11	AI 4	Analoge Eingänge ²⁴			

4.3.4 Typenschild

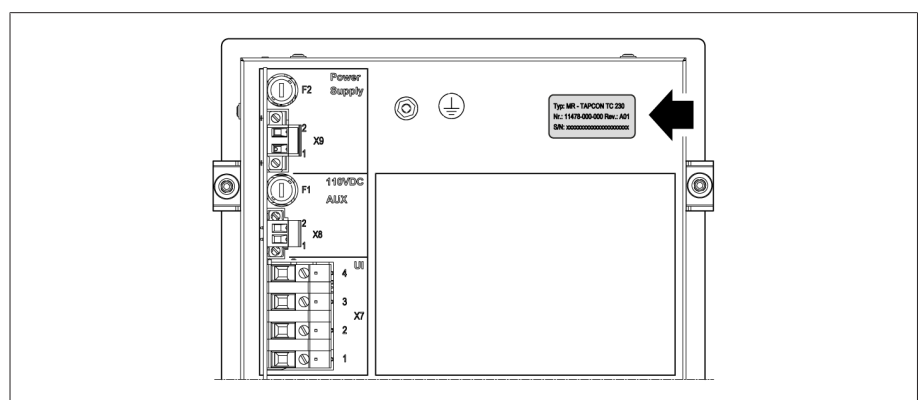


Abbildung 6: Typenschild auf der Rückseite des Geräts

²⁴ Nur bei den Varianten Pro, Expert und AVT.

²⁵ Nur bei Variante Expert.

²⁶ Prüfen Sie anhand der Anschlussklemmenbezeichnung auf der Rückseite des Geräts, welche Variante Ihnen zur Verfügung steht.

4.3.5 Sicherheitskennzeichnungen

	Warnung vor einer Gefahrenstelle. Lesen Sie die Hinweise in der Betriebsanleitung des Produkts.
---	---

4.3.6 Anschlussschaltbild und Erdungsschraube

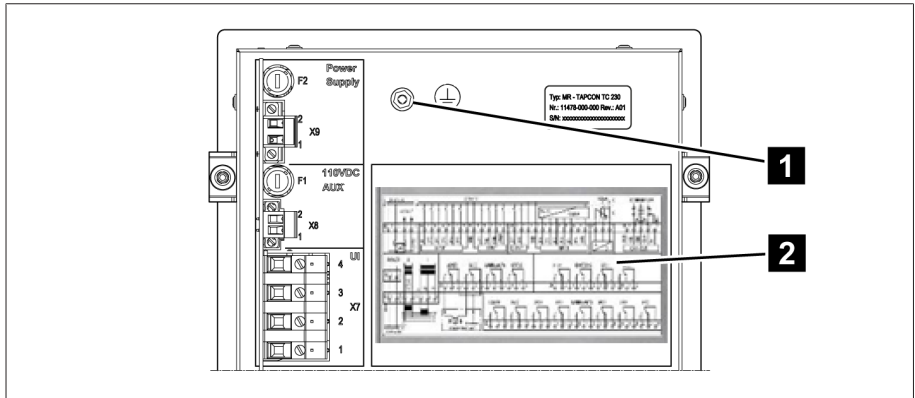


Abbildung 7: Anschlussschaltbild/Erdungsschraube

1	Erdungsschraube	2	Anschlussschaltbild
---	-----------------	---	---------------------

4.3.7 Visualisierung

4.3.7.1 Hauptbildschirm

Home

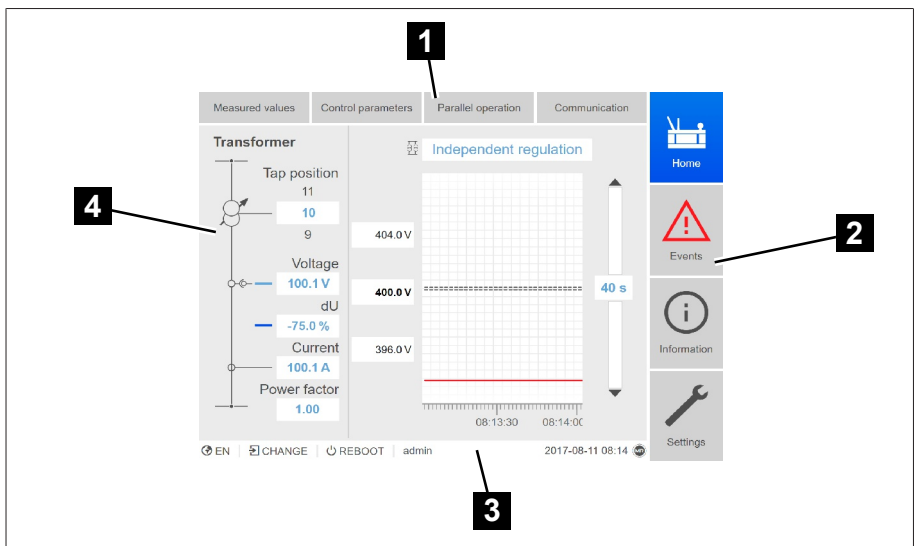


Abbildung 8: Home

1	Sekundärnavigation oder Navigationspfad	2	Primärnavigation
3	Statusleiste	4	Anzeigebereich

Messwerte/Anzeige

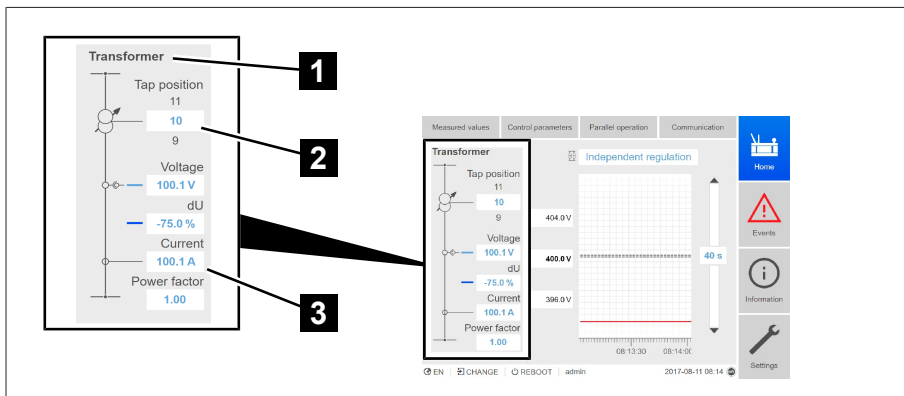


Abbildung 9: Messwerte/Anzeige

1	Transformatorbezeichnung (editierbar)	2	Stufenstellung ²⁷
3	Aktuelle Messwerte: Spannung, Regelabweichung mit Korrektur, Strom, Leistungsfaktor		

Sollwerte/Istwerte/Verzögerungszeit

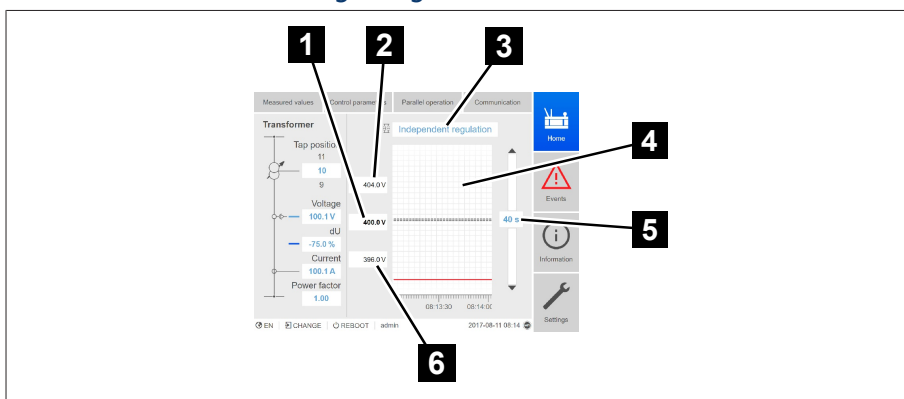


Abbildung 10: Sollwerte/Istwerte/Verzögerungszeit

1	Sollwert	2	Obere Grenze der Bandbreite
3	Modus: Einzelbetrieb/Parallelbetrieb ²⁸	4	Verlauf: Gemessene Spannung und korrigierte Spannung (Korrektur aufgrund von Kompensation oder Parallellauf)
5	Verzögerungszeit T1/T2 ²⁹	6	Untere Grenze der Bandbreite

27 Nur bei den Varianten TAPCON® 230 Pro, Expert und AVT.

28 Nur bei den Varianten TAPCON® 230 Pro, Expert und AVT.

29 Verzögerungszeit T2 nur bei den Varianten TAPCON® 230 Basic, Pro und Expert.

5 Montage

▲ GEFAHR



Elektrischer Schlag!

Lebensgefahr durch elektrische Spannung. Bei Arbeiten in und an elektrischen Anlagen stets folgende Sicherheitsregeln einhalten.

- > Anlage freischalten.
- > Anlage gegen Wiedereinschalten sichern.
- > Spannungsfreiheit allpolig feststellen.
- > Erden und kurzschließen.
- > Benachbarte, unter Spannung stehende Teile abdecken oder abschränken.

▲ WARNUNG



Elektrischer Schlag!

Während des Betriebs eines Stromwandlers mit offenem Sekundärstromkreis können gefährlich hohe Spannungen auftreten. Dies kann zu Tod, Verletzungen und Sachschäden führen.

- > Niemals Stromwandler mit offenem Sekundärstromkreis betreiben, deshalb Stromwandler kurzschließen.
- > Die Hinweise in der Betriebsanleitung des Stromwandlers beachten.

ACHTUNG

Schäden am Gerät!

Elektrostatische Entladung kann zu Schäden am Gerät führen.

- > Vorkehrungen treffen, um die elektrostatische Aufladung von Arbeitsflächen und Personal zu vermeiden.

5.1 Vorbereitung

Zur Montage benötigen Sie folgendes Werkzeug:



Je nach Einbauort und Montagevariante benötigen Sie gegebenenfalls noch weiteres Werkzeug sowie entsprechendes Befestigungsmaterial, wie z. B. Schrauben, Muttern und Unterlegscheiben, welches nicht Teil des Lieferumfangs ist.

- Je nach Montagevariante:
 - Elektrische Stichsäge für den Schalttafeleinbau.
 - Bohrmaschine für die Wandmontage (Wandmontage mit Gehäuse).
- Schraubendreher für den Anschluss der Signalleitungen und Versorgungsleitungen.

5.2 Mindestabstände

ACHTUNG

Schäden am Gerät!

Unzureichende Zirkulation der Umgebungsluft kann zu Schäden am Gerät durch Überhitzung führen.

- > Lüftungsschlitze freihalten.
- > Ausreichend Abstand zu benachbarten Bauteilen vorsehen.
- > Gerät nur in horizontaler Lage montieren (Lüftungsschlitze befinden sich oben und unten).

Zum Boden des Steuerschranks	Mindestabstand: 88,9 mm (3,5 in) Entspricht 2 HE
Zur Decke des Steuerschranks	
Zwischen Gerät und weiteren Baugruppen auf abgesetzten Hutschienen	

Tabelle 2: Mindestabstände im Steuerschrank

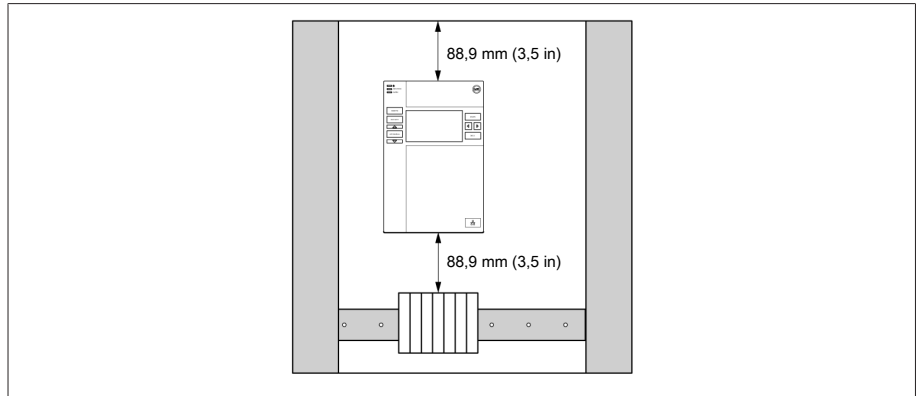


Abbildung 11: Mindestabstände

Für andere Einbauarten kontaktieren Sie die Maschinenfabrik Reinhausen GmbH.

5.3 Montagevarianten

5.3.1 Schalttafeleinbau

Sie können das Gerät mittels Spannklemmen in einer Schalttafel montieren. Die empfohlene Wandstärke beträgt 2...5 mm.

Maße für den Schalttafelausschnitt

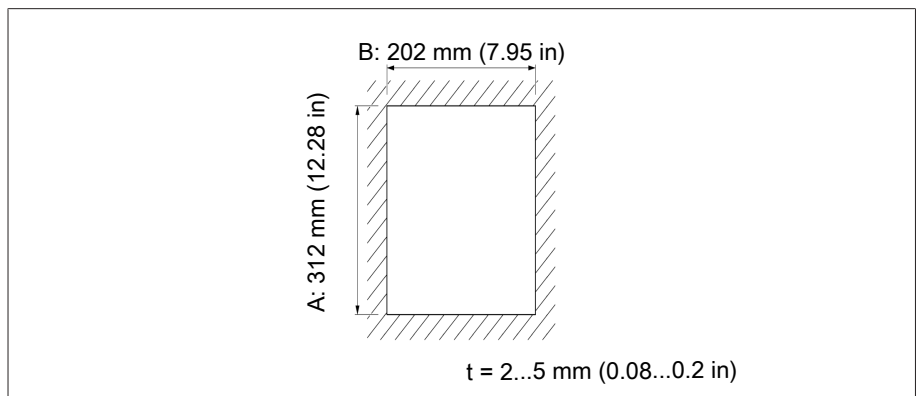


Abbildung 12: Maße für den Ausschnitt

1. Ausschnitt in Schalttafel herstellen.

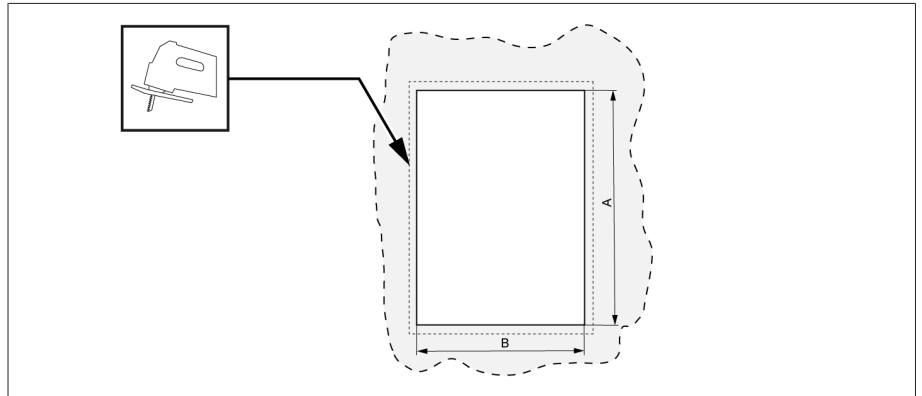


Abbildung 13: Ausschnitt in Schalttafel herstellen

2. Gerät von vorne in den Ausschnitt einschieben.

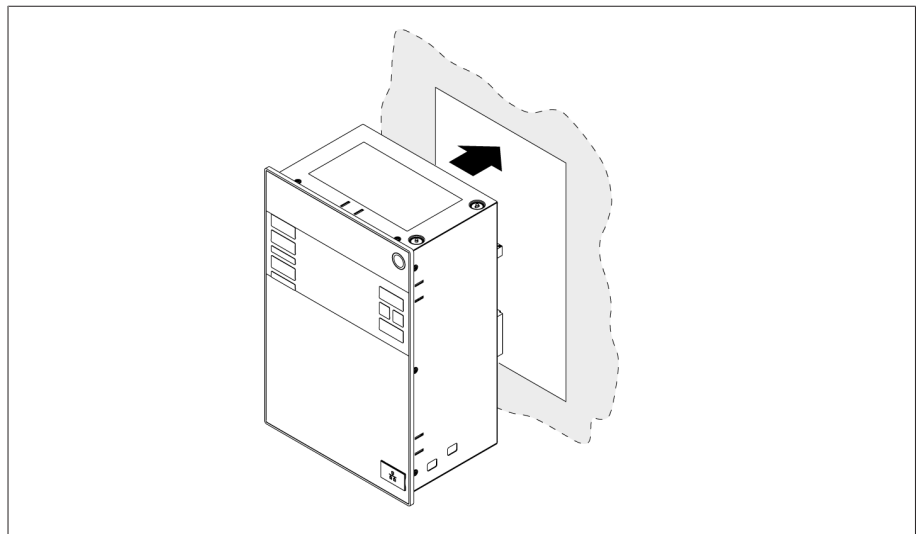


Abbildung 14: Gerät in Ausschnitt einschieben

3. Mitgelieferte Spannklemmen einsetzen.

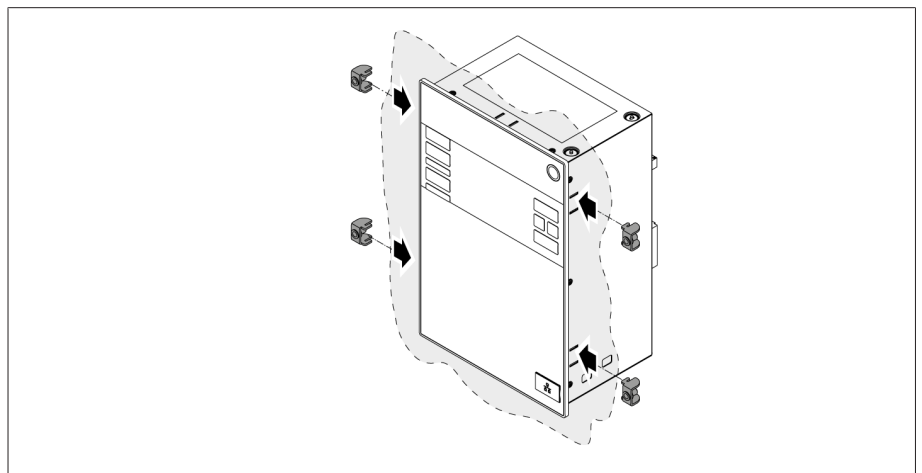


Abbildung 15: Gerät in den Ausschnitt einsetzen

4. Gewindestifte in die Spannklemmen einschrauben und Gerät befestigen.

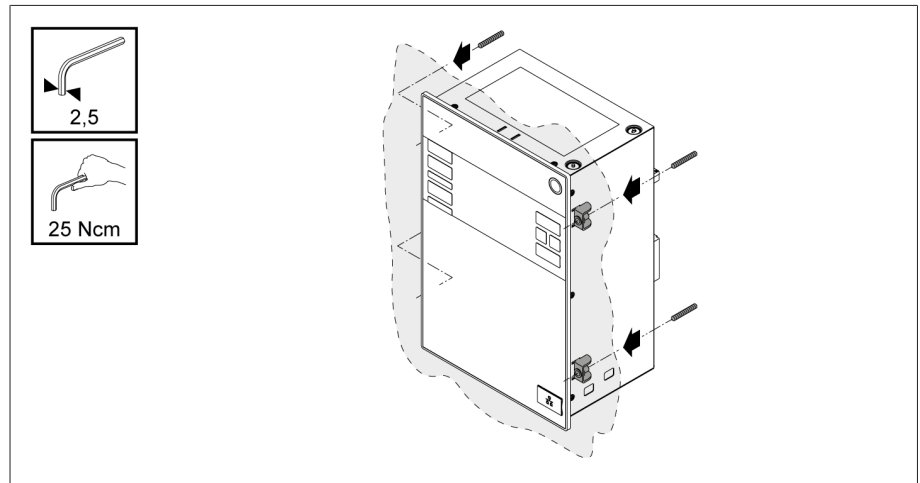


Abbildung 16: Gerät befestigen

» Das Gerät ist montiert und kann verdrahtet werden.

5.3.2 Wandmontage mit Gehäuse (optional)

Bei der Wandmontage wird das Gerät in einem Gehäuse an der Wand mit Wandhaltern befestigt. Verwenden Sie die mitgelieferten Spannklemmen, um das Gerät in das Gehäuse einzubauen.

5.3.2.1 Bohrungen für die Wandmontage

Bohren Sie gemäß der nachfolgenden Bohrschablone 4 Bohrungen mit jeweils 6,8 mm Durchmesser in die Wand.

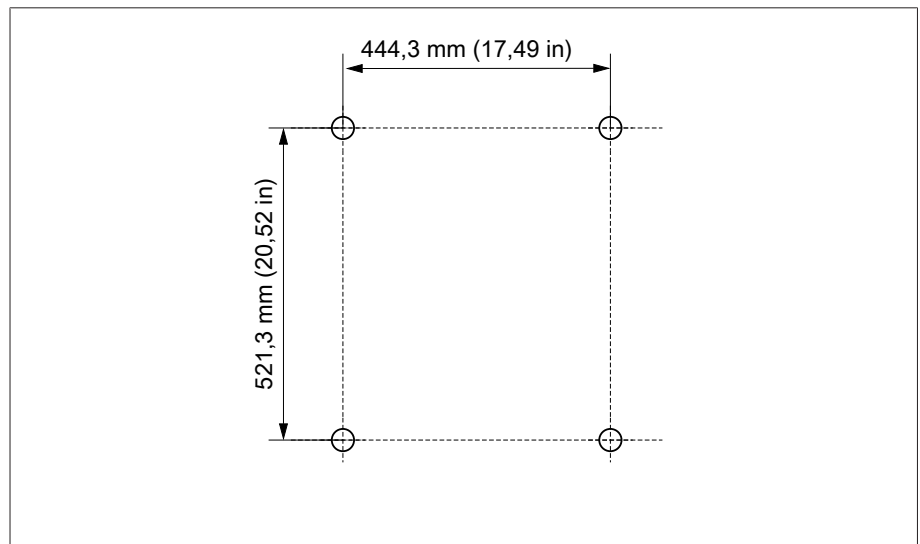


Abbildung 17: Bohrschablone für das Gehäuse

5.3.2.2 Gehäuse an Wand anbringen



Die Schrauben zur Wandmontage sind nicht Teil des Lieferumfangs. Die benötigte Schraubenlänge richtet sich nach der Wandstärke.

- ✓ **ACHTUNG!** Schäden am Gehäuse durch geöffnete Tür. Tür des Gehäuses schließen, um Beschädigungen während der Wandmontage zu vermeiden.
- Das Gehäuse mit 4 Schrauben M8 an die Wand befestigen.

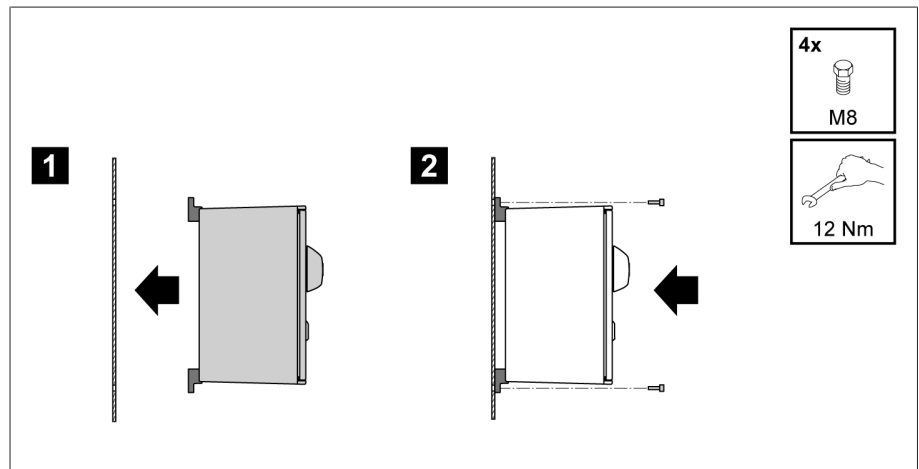


Abbildung 18: Wandmontage

- » Das Gerät ist montiert und kann verdrahtet werden.

Gehen Sie bei der Verdrahtung gemäß Anschlussschaltbild und wie in Abschnitt „Gerät anschließen“ beschrieben vor.

5.3.2.3 Gerät in das Gehäuse einbauen

- ✓ Schwenkrahmen des Gehäuses öffnen.
- 1. Gerät von vorne in den Schwenkrahmen des Gehäuses einschieben.

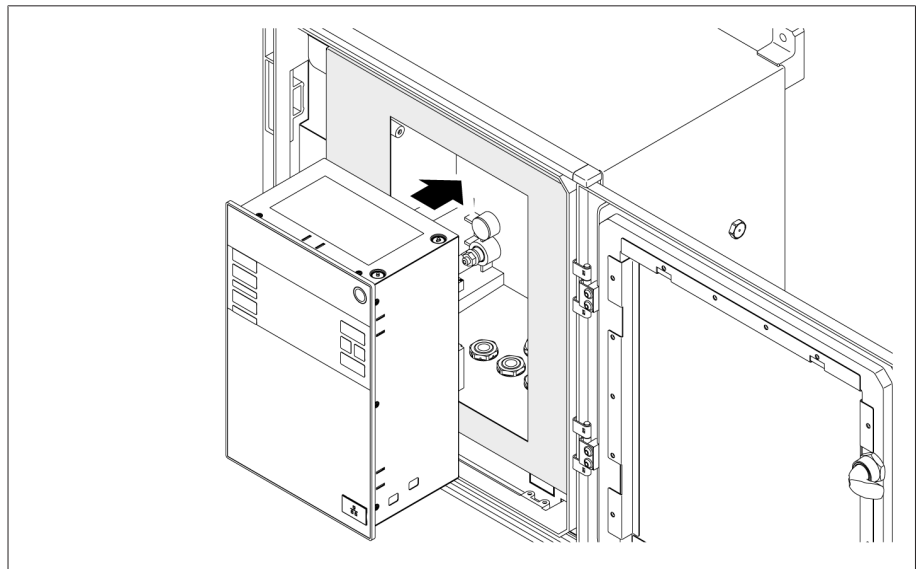


Abbildung 19: Gerät in Schwenkrahmen einschieben

2. Mitgelieferte Spannklemmen einsetzen.

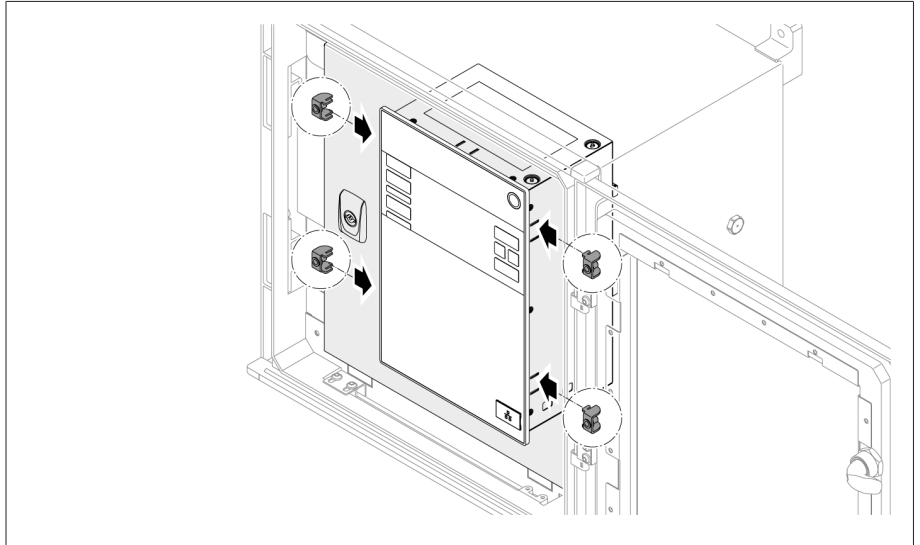


Abbildung 20: Gerät in den Ausschnitt einsetzen

3. Gewindestifte in das Loch der Spannklemme einschrauben und Gerät befestigen.

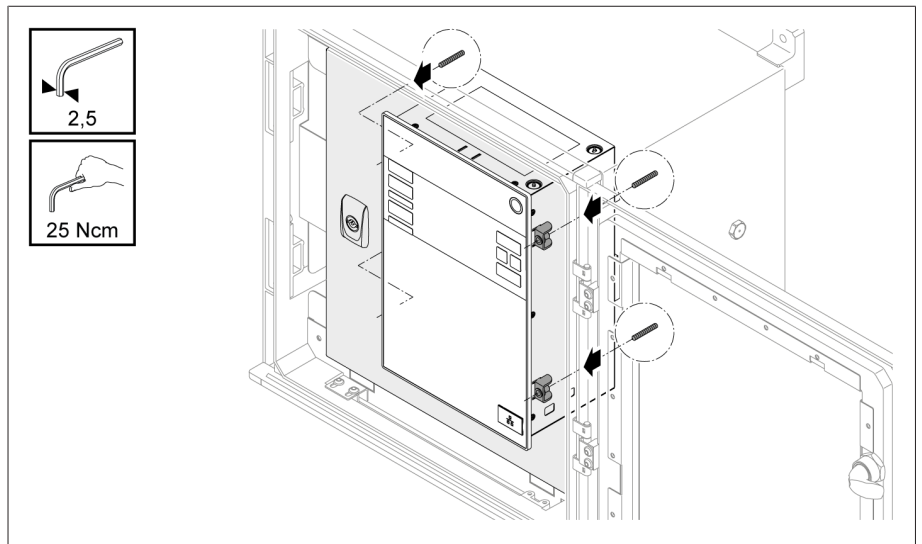


Abbildung 21: Gerät befestigen

» Das Gerät ist montiert und kann verdrahtet werden.

5.4 Gerät anschließen

▲ WARNUNG



Elektrischer Schlag!

Anschlussfehler können zu Tod, Verletzung und Sachschäden führen.

- › Gerät über die am Gehäuse angebrachte Erdungsschraube mit einem Schutzleiter erden.
- › Phasenlage der Sekundäranschlüsse vom Stromwandler und Spannungswandler beachten.
- › Ausgangsrelais an den Motorantrieb korrekt anschließen.



Führen Sie Spannungen über Trenneinrichtungen zu und stellen Sie sicher, dass Strompfade kurzgeschlossen werden können. Bringen Sie die Trenneinrichtung eindeutig gekennzeichnet und frei zugänglich in der Nähe der Stromversorgung des Geräts an. Dadurch können Sie bei einem Defekt das Gerät problemlos austauschen.

Hinweise zur Verdrahtung

- Für eine bessere Übersicht beim Anschluss nur so viele Leitungen verdrahten, wie nötig.
 - Beachten Sie das Anschlussschaltbild [► Abschnitt 8.14, Seite 219].
 - Verwenden Sie zum Verdrahten ausschließlich spezifizierte Kabel. Beachten Sie die Kabelempfehlung [► Abschnitt 5.4.1, Seite 186].
 - **ACHTUNG!** Schäden an den Klemmen! Zu fest angezogene Schrauben können die Schraubklemmen beschädigen. Stellen Sie bei der Befestigung der Schraubklemmen sicher, dass das Anzugsmoment 0,4 Nm beträgt.
 - Verdrahten Sie die Leitungen an der Anlagenperipherie.
 - Bei einer Wandmontage mit Gehäuse (optional):
 - Bei der Verdrahtung des Geräts Kabelverschraubungen unter dem Gehäuse gegebenenfalls verwenden.
 - **ACHTUNG!** Schäden am Gerät! Offene Kabelverschraubungen können die IP-Schutzart nicht mehr gewährleisten. Nicht verwendete Kabelverschraubungen mit Verschlussstopfen versehen.
1. Benötigte Stecker abziehen.
 2. Leitungen und Adern abisolieren.
 3. Litzendrähte mit Aderendhülsen crimpen.
 4. Adern in die entsprechenden Klemmen der Stecker führen.
 5. Schrauben der entsprechenden Klemmen mit Hilfe eines Schraubendrehers befestigen.
 6. Stecker in die zugehörigen Steckplätze stecken.
 7. Kabelstränge mit einer Zugentlastung versehen.

5.4.1 Kabelempfehlung

Beachten Sie bei der Verdrahtung des Geräts folgende Empfehlung der Maschinenfabrik Reinhausen.



Zu hohe Leitungskapazitäten können verhindern, dass die Relaiskontakte den Kontaktstrom unterbrechen. Berücksichtigen Sie in wechselstrombetätigten Steuerstromkreisen den Einfluss der Leitungskapazität von langen Steuerleitungen auf die Funktion der Relaiskontakte. Wenn Sie Ethernet-Verbindungen aus einem Schaltschrank oder Gebäude herausführen wollen, empfehlen wir die Verwendung von Lichtwellenleitern (gemäß der Empfehlung von IEC 61850-90-4).

Kabel	Schnittstelle	Kabeltyp	Leiterquerschnitt	Max. Länge
Stromversorgung (extern)	X9	ungeschirmt	1,5 mm ²	-
Spannungsmessung	UI-X7	geschirmt	2,5 mm ²	-
Strommessung	UI-X7	ungeschirmt	2,5 mm ²	-
Digitale Signaleingänge	DI 16	geschirmt	1,5 mm ²	400 m (<25Ω/km)
Digitale Signalausgänge ³⁰	DO 8	geschirmt	1,5 mm ²	-
Analoge Signaleingänge	AI 4	geschirmt	1 mm ²	400 m (<25Ω/km)
RS232, D-SUB 9-polig	COM-X3	geschirmt	0,25 mm ²	25 m
RS485	COM-X6	geschirmt	0,25 mm ²	140 m
CAN-Bus	COM-X6	geschirmt	0,75 mm ²	2000 m (gesamter CAN-Bus)
Ethernet RJ45	X2, X3	min. Cat-5, geschirmt S/FTP	-	100 m
Ethernet LWL	COM-X4	Duplex-LC Multimode, Om3, 1310nm	-	2000 m
110V DC Ausgang	X8	ungeschirmt	1,5 mm ²	-
Patchkabel RJ45	-	min. Cat-5, geschirmt S/FTP	-	ca. 30 cm

Tabelle 3: Empfehlung für Anschlusskabel

5.4.2 Elektromagnetische Verträglichkeit

Das Gerät ist nach den einschlägigen EMV-Standards entwickelt. Damit die EMV-Standards erhalten bleiben, sind die nachfolgenden Punkte zu beachten.

5.4.2.1 Anforderung an die Verdrahtung des Einbauorts

Beachten Sie bei der Wahl des Einbauorts nachfolgende Hinweise:

- Der Überspannungsschutz der Anlage muss wirksam sein.
- Die Erdung der Anlage muss den Regeln der Technik entsprechen.
- Getrennte Anlagenteile müssen durch einen Potentialausgleich verbunden sein.
- Das Gerät und seine Verdrahtung müssen einen Mindestabstand von 10 m zu Leistungsschaltern, Lasttrennern und Stromschienen einhalten.

5.4.2.2 Anforderung an die Verdrahtung des Betriebsorts

Beachten Sie bei der Verdrahtung des Betriebsorts nachfolgende Hinweise:

- Die Anschlussleitungen in geerdeten Kabelkanälen aus Metall verlegen.
- Störbehaftete Leitungen (z. B. Versorgungsleitungen) und störempfindliche Leitungen (z. B. Signalleitungen) nicht im selben Kabelkanal führen.
- Einen Abstand größer 100 mm zwischen störbehafteten und störempfindlichen Leitungen einhalten.

³⁰ Leitungskapazität beachten, siehe Hinweis oben.

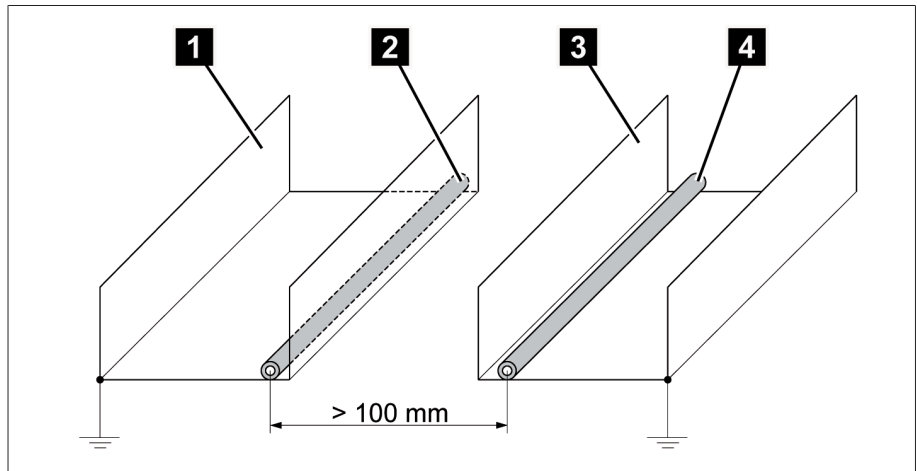


Abbildung 22: Empfohlene Leitungsführung

1	Kabelkanal für störbehaftete Leitungen	3	Kabelkanal für störemfindliche Leitungen
2	Störbehaftete Leitung (z. B. Versorgungsleitung)	4	Störemfindliche Leitung (z. B. Signalleitung)

- Reserveleitungen kurzschließen und erden.
- Keinesfalls das Gerät mit einer vieladrigen Sammelleitung anschließen.
- Zur Signalübertragung abgeschirmte Leitungen mit paarweise verdrehten Einzelleitern (Hinleiter/Rückleiter) verwenden.
- Die Abschirmung vollflächig (360°) am Gerät oder an einer nahen Erdungsschiene anbinden.



Die Verwendung von Einzeladern kann die Wirksamkeit der Abschirmung beeinträchtigen. Binden Sie die Abschirmung kurz und vollflächig an.

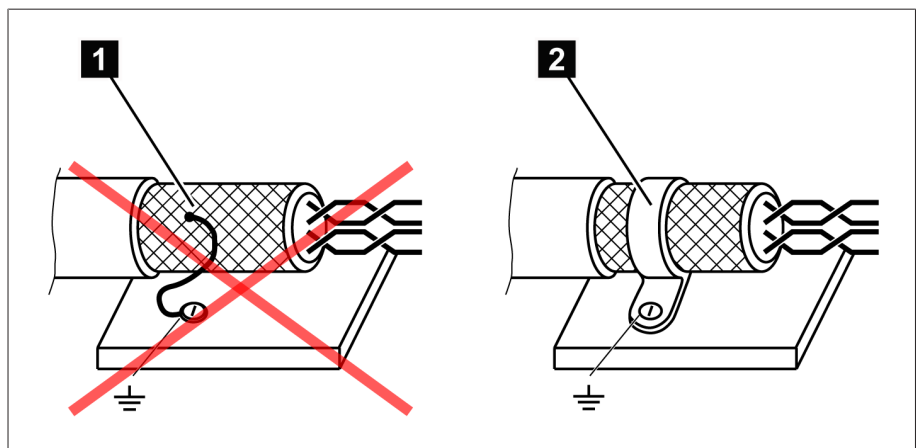


Abbildung 23: Empfohlene Anbindung der Abschirmung

1	Anbindung der Abschirmung über eine Einzelader	2	Vollflächige Anbindung der Abschirmung
---	--	---	--

5.4.2.3 Anforderung an die Verdrahtung im Schaltschrank

Beachten Sie bei der Verdrahtung im Schaltschrank nachfolgende Hinweise:

- Der Schaltschrank für den Einbau des Geräts ist EMV-gerecht vorzubereiten:
 - Funktionale Schaltschrankgliederung (räumliche Trennung)
 - Durchgängiger Potentialausgleich (alle Metallteile sind verbunden)
 - EMV gerechte Leitungsführung (Trennung von störbehafteten und störemfindlichen Leitungen)

- Optimale Schirmwirkung (Metallgehäuse)
- Überspannungsschutz (Blitzschutz)
- Sammelerde (Haupterdungsschiene)
- EMV-gerechte Kabeldurchführungen
- Vorhandene Schutzspulen müssen beschaltet sein
- Die Anschlusskabel des Geräts müssen dicht am geerdeten Metallgehäuse oder in geerdeten Kabelträgern aus Metall verlegt werden.
- Signalleitungen und Powerleitungen/Schaltleitungen sind in getrennten Kabelträgern zu verlegen.
- Die Erdung [►Abschnitt 5.4.12.2, Seite 199] des Geräts ist an der dafür vorgesehenen Schraube mit einem Erdungskabel durchzuführen.

5.4.3 Leitungen an die Anlagenperipherie anschließen

- Für eine bessere Übersicht beim Anschluss nur so viele Leitungen verdrahten, wie nötig.

Um die Leitungen an der Anlagenperipherie anzuschließen, gehen Sie wie folgt vor:

- ✓ Verwenden Sie zum Verdrahten ausschließlich spezifizierte Kabel. Beachten Sie die Kabelempfehlung [►Abschnitt 5.4.1, Seite 186].
- Die Leitungen, die mit dem Gerät verdrahtet werden sollen, gemäß den mitgelieferten Anschlussschaltbildern an die Anlagenperipherie anschließen.

5.4.4 CAN-Bus anschließen

- Nur bei den Varianten TAPCON® 230 Pro, Expert und AVT vorhanden.

5.4.4.1 CAN-Bus abschirmen

Für den fehlerfreien Betrieb des CAN-Busses müssen Sie die Abschirmung gemäß einer der nachfolgenden Varianten anschließen. Wenn Sie keine der unten genannten Varianten umsetzen können, dann empfehlen wir die Verwendung von Glasfaserkabeln. Glasfaserkabel entkoppeln die Geräte und sind unempfindlich gegenüber elektromagnetischen Störgrößen (Surge und Burst).

ACHTUNG

Schäden am Gerät!

Wenn Sie das CAN-Bus-Kabel an Geräten anschließen, die auf unterschiedlichem Potenzial liegen, kann es zum Stromfluss über die Abschirmung kommen. Dieser Strom kann Schäden am Gerät hervorrufen.

- Geräte zum Potenzialausgleich an einer Potenzialausgleichsschiene anschließen.
- Wenn beide Geräte auf unterschiedlichem Potenzial liegen, die Abschirmung des CAN-Bus-Kabels nur an einem Gerät anschließen.

Variante 1: Die verbundenen Geräte liegen auf gleichem Potenzial

1. Alle Geräte zum Potenzialausgleich an einer Potenzialausgleichsschiene anschließen.
2. Abschirmung des CAN-Bus-Kabels an allen verbundenen Geräten anschließen.

Variante 2: Die verbundenen Geräte liegen auf unterschiedlichem Potenzial

Beachten Sie, dass die Wirksamkeit der Abschirmung bei dieser Variante geringer ist.

- ✓ Abschirmung des CAN-Bus-Kabels **nur an einem** Gerät anschließen.
- ✓ Adern des geschirmten CAN-Bus-Kabels in die Pins 10 (CAN H); 9 (CAN GND) und 8 (CAN L) des Steckers COM-X6 anschließen.

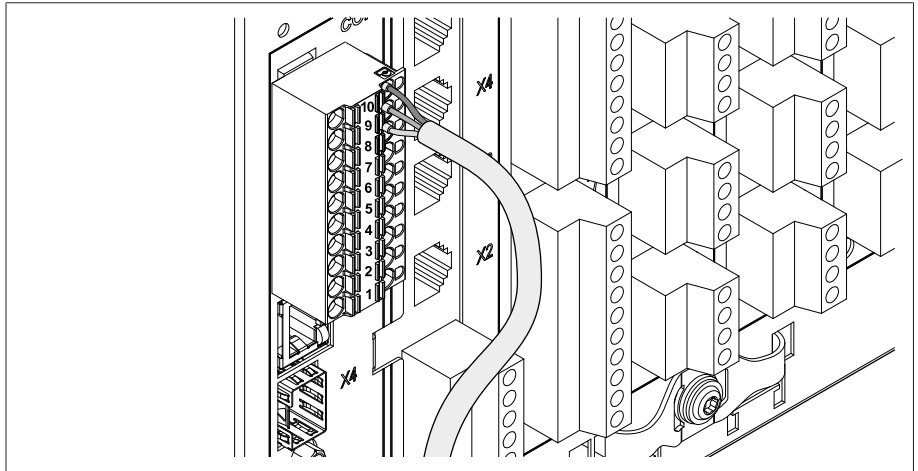


Abbildung 24: Adern in Pins 10; 9; 8 anschließen

- Abschirmung des Kabels auflegen und mit der mitgelieferten Schirmklemme verschrauben sowie mit einer Zugentlastung (Kabelbinder) befestigen.

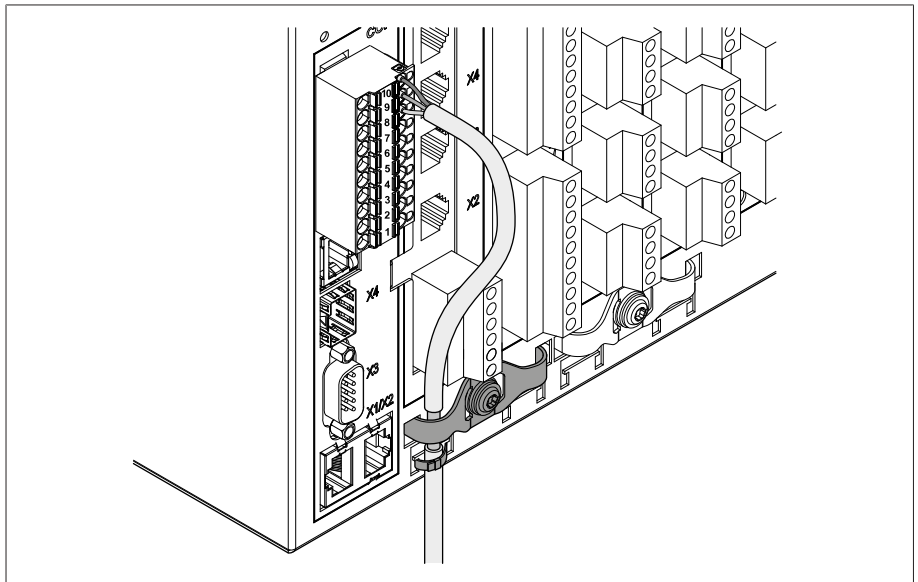


Abbildung 25: Schirmklemme und Zugentlastung

5.4.4.2 Abschlusswiderstand des CAN-Busses montieren

Wenn Sie das Gerät im Parallelbetrieb betreiben möchten, müssen Sie an beiden Enden des CAN-Busses einen Abschlusswiderstand von 120 Ω montieren.

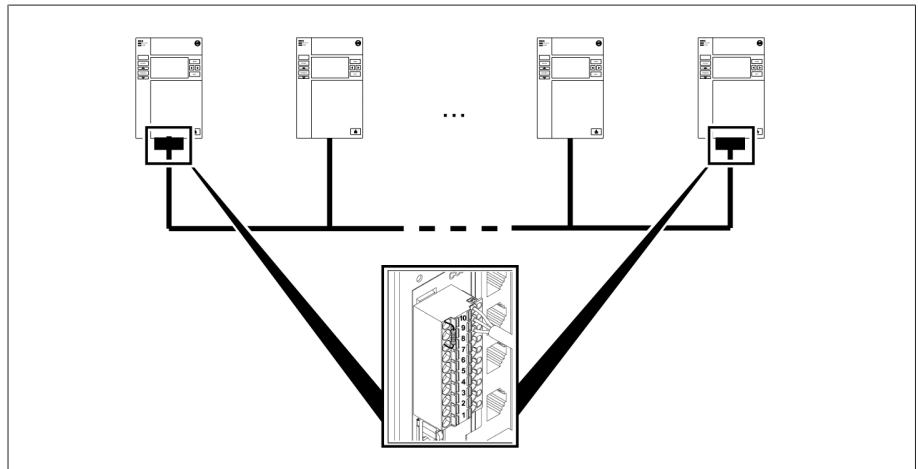


Abbildung 26: Abschlusswiderstand des CAN-Busses

- > Abschlusswiderstand in die Pins 10; 9 und 8 des Steckers COM-X6 montieren.

5.4.5 SCADA anschließen



Nur bei den Varianten TAPCON® 230 Expert und AVT vorhanden.

ACHTUNG

Schäden am Gerät!

Die Verwendung falscher Datenkabel kann zu Schäden am Gerät führen.

- > Ausschließlich Datenkabel gemäß der nachfolgenden Beschreibung verwenden.

Abhängig vom verwendeten Leitsystem, müssen Sie das Gerät mit einer der folgenden Varianten anschließen.

5.4.5.1 Serielle Schnittstelle RS485 (COM-X6)

Wenn Sie die serielle Schnittstelle RS485 verwenden möchten, müssen Sie an beiden Enden des RS485-Busses einen Abschlusswiderstand von $120\ \Omega$ montieren.

1. Adern des geschirmten Kabels in die Pins 7 (Data +); 6 (GND) und 5 (Data-) des Steckers COM-X6 anschließen.

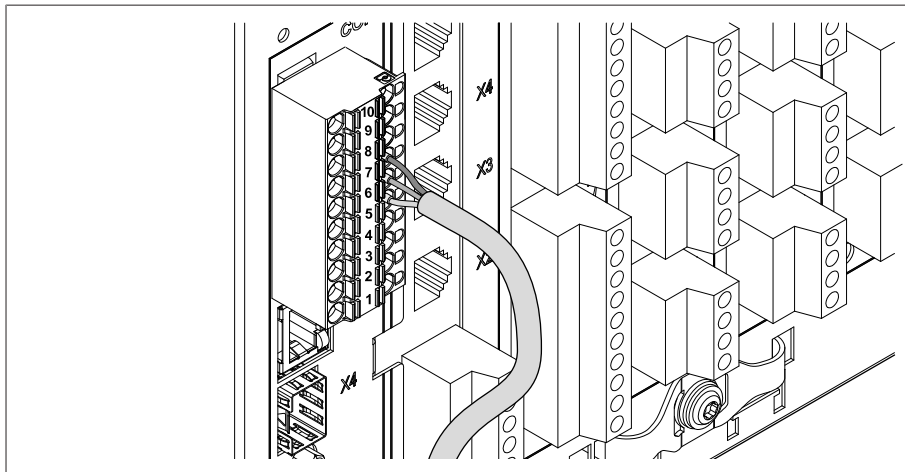


Abbildung 27: Adern in Pins 7; 6; 5 anschließen

2. Abschirmung des Kabels auflegen und in die mitgelieferte Schirmklemme verschrauben sowie mit einer Zugentlastung (Kabelbinder) befestigen.

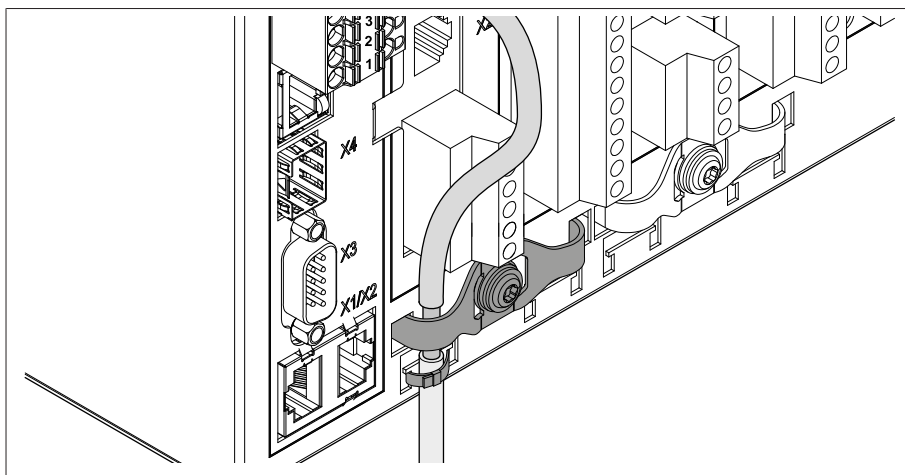


Abbildung 28: Schirmklemme und Zugentlastung

3. Die RJ45-Schnittstelle COM-X1 und die Schnittstelle CPU-X4 mit Hilfe des Patchkabels miteinander verbinden.

5.4.5.2 Serielle Schnittstelle RS232 (D-SUB 9-polig)

Datenkabel

Für den Anschluss des Geräts über die RS232-Schnittstelle ein Datenkabel gemäß folgendem Aufbau verwenden:

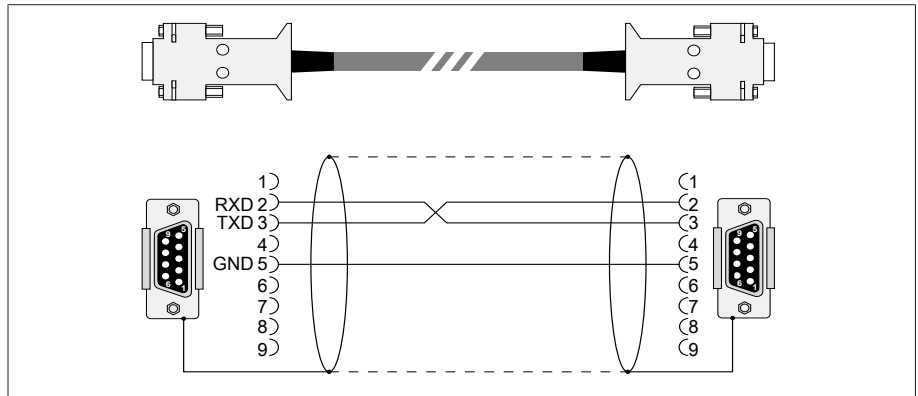


Abbildung 29: Datenkabel RS232 (9-polig)

Steckeranschluss D-SUB 9 polig

Verwenden Sie ausschließlich 9 polige D-SUB-Stecker mit folgenden Eigenschaften:

- Steckergehäuse ist metallisch oder metallisiert
- Abschirmung des Kabels ist gemäß einer der beiden nachfolgenden Varianten mit dem Stecker verbunden:
 - Abschirmung ist mit der Zugentlastung verschraubt.
 - Abschirmung ist mit dem Steckergehäuse verlötet.

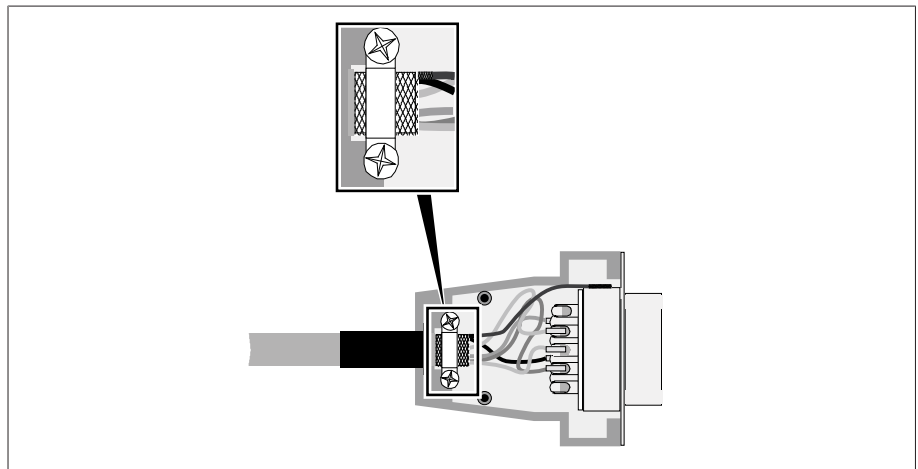


Abbildung 30: Beispiel einer verlöteten Abschirmung am Steckergehäuse

Anschluss

1. Den D-Sub 9-poligen Stecker an die COM-X3 Schnittstelle anschließen.
2. Die RJ45-Schnittstelle COM-X1 mit der Schnittstelle CPU-X5 mit Hilfe des mitgelieferten Patchkabels verbinden.

5.4.5.3 Lichtwellenleiter

Beachten Sie dazu die Angaben des Herstellers des Lichtwellenleiters sowie folgende Hinweise, um eine fehlerfreie Datenübertragung sicherzustellen:

- Die minimal zulässigen Biegeradien dürfen nicht unterschritten werden (Lichtwellenleiter nicht knicken).
- Die Lichtwellenleiterfasern dürfen weder überdehnt noch gestaucht werden. Beachten Sie die jeweils zulässigen Belastungswerte.
- Die Lichtwellenleiterfasern dürfen nicht verdreht oder verdreht werden.

- Achten Sie auf scharfe Kanten, da diese beim Verlegen die Ummantlung des Lichtwellenleiterkabels beschädigen können oder später die Ummantlung mechanisch belasten können.
- Sehen Sie im Bereich von Verteilerschränken eine ausreichende Kabelreserve vor. Verlegen Sie die Reserve so, dass das Lichtwellenleiterkabel beim Nachziehen weder geknickt noch verdreht wird.

Lichtwellenleiter 1310 nm Multimode

1. Das SFP-Modul in die Schnittstelle COM-X4 **1** einschieben und die Spange **2** umklappen.

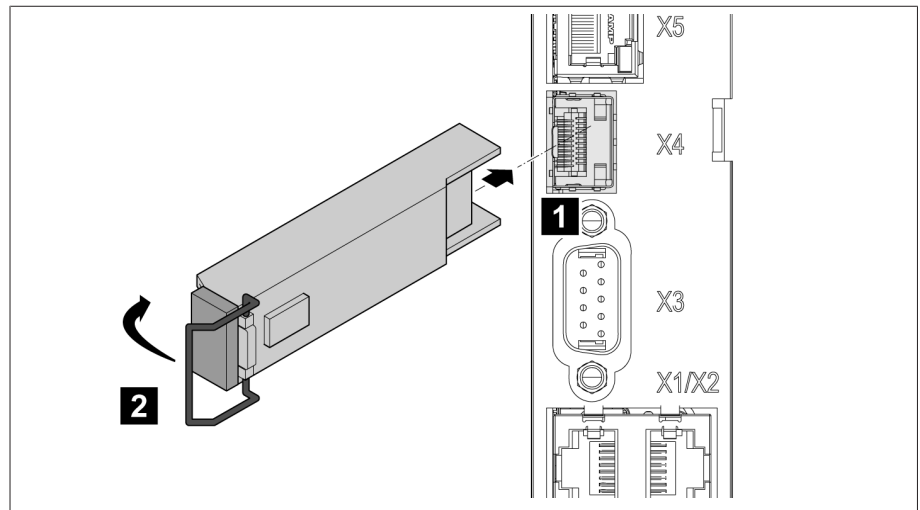


Abbildung 31: SFP-Modul einrasten

2. Staubstecker des SFP-Moduls entfernen.

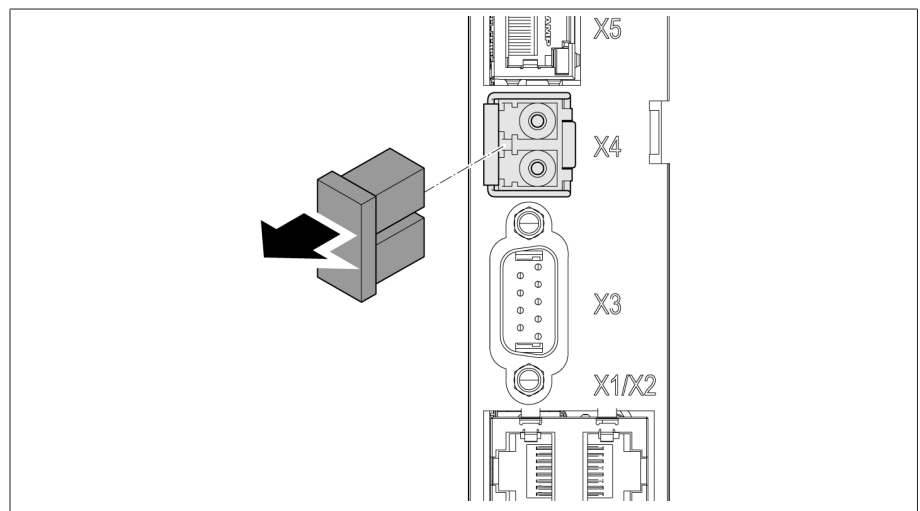


Abbildung 32: Staubschutz entfernen

3. Lichtwellenleiter mit LC-Duplex in das SFP-Modul COM-X4 anschließen.

4. Die Schnittstellen COM-X5 und CPU-X2 mit dem mitgelieferten Patchkabel miteinander verbinden.

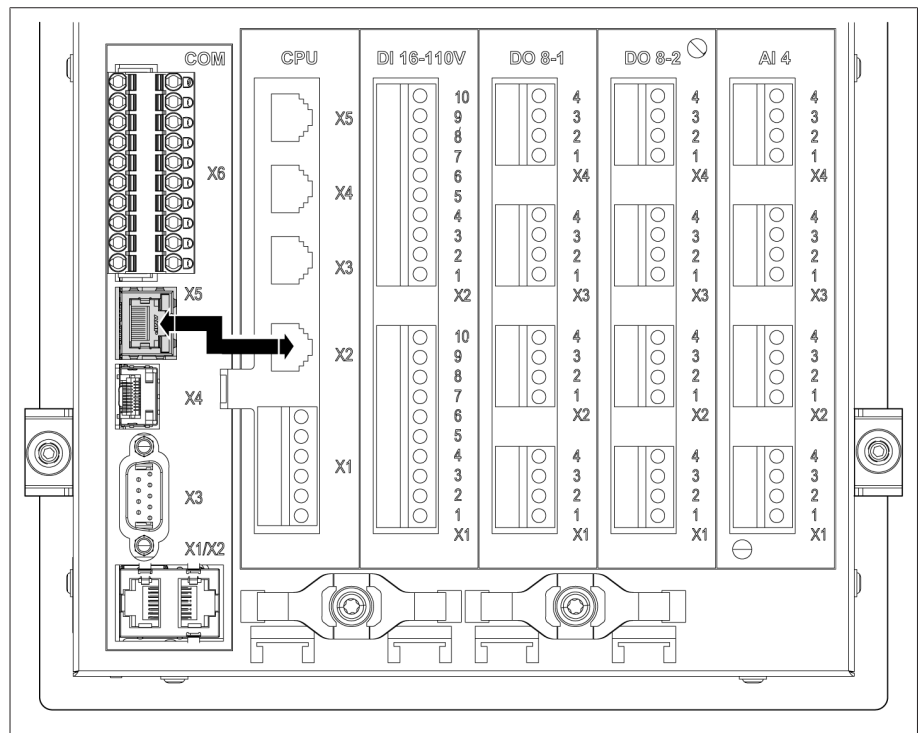


Abbildung 33: CPU-X5 und COM-X2 verbinden

Serieller Lichtwellenleiter

Wenn Sie Ihr Leitsystem mittels seriellen Lichtwellenleiter anschließen möchten, benötigen Sie den LWL-Konverter CM-0847

- › Den seriellen Lichtwellenleiter und den Konverter an die Schnittstelle CPU-X5 anschließen.

5.4.5.4 Ethernet-Schnittstelle

- › Ethernet-Kabel (RJ45-Stecker) an die Schnittstelle CPU-X3 anschließen.

5.4.6 Spannungsmessung/Strommessung UI verdrahten

Sie müssen den Stromkreis zur Spannungsmessung gemäß dem verwendeten Leiterquerschnitt absichern. Sie können folgende Sicherungstypen verwenden:

	Leitungsschutzschalter	Schmelzsicherung
Norm	IEC 60947-2	IEC 60269
Bemessungsspannung	400 V (L-L) oder 230 V (L-N)	
Bemessungsstrom	30 mA...16 A	
Charakteristik	B, C, K oder Z	Flink, Mittelträge oder Träge
Bemessungsschaltvermögen	50 kA Bei Installation gemäß IEC 61010-2-30 CAT II: 10 kA	

Tabelle 4: Zulässige Sicherungstypen

1. Spannungsmessung: Adern in die Klemmen UI:X7-4 (N-Leiter) und UI:X7-3 (L-Leiter) führen und mit Hilfe eines Schraubendrehers befestigen.

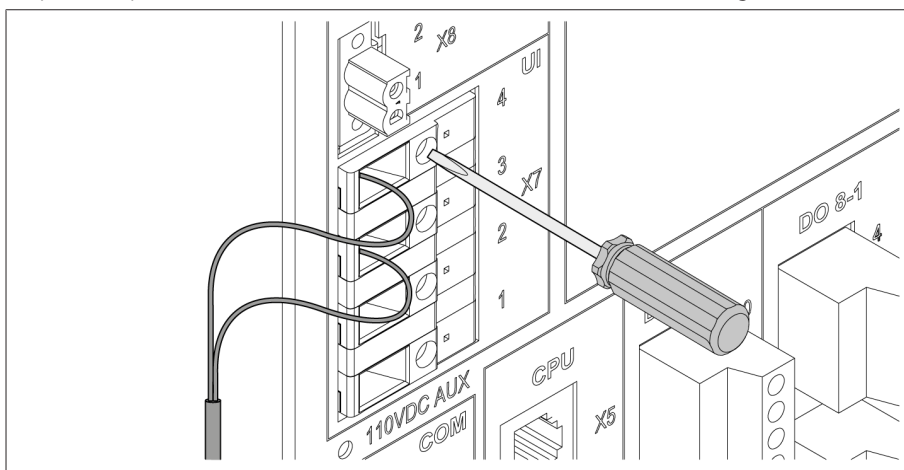


Abbildung 34: UI:X7-4/3

2. Strommessung: Adern in die Klemmen UI:X7-2 (l) und UI:X7-1 (k) führen und mit Hilfe eines Schraubendrehers befestigen.

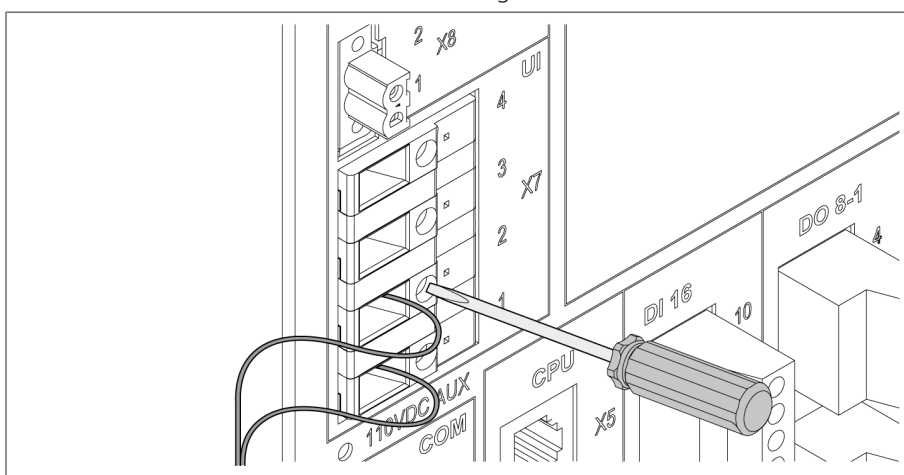


Abbildung 35: UI:X7-2/1

5.4.7 Analoge Eingänge AI verdrahten

ACHTUNG

Schäden am Gerät und an Sensoren!

Fehlerhaft angeschlossene und konfigurierte analoge Eingänge/Ausgänge können zur Beschädigung des Geräts und des Sensors führen.

- > Hinweise zum Anschluss analoger Sensoren befolgen.
- > Analoge Eingänge und Ausgänge entsprechend der angeschlossenen Sensoren konfigurieren.

Sie können folgende Typen von Analogsensoren anschließen:

- 0/4...20 mA
- 0...10 V
- PT100/PT1000 (2-Leiter, 3-Leiter, 4-Leiter) indirekt über Messumformer

Für die fehlerfreie Erfassung der Analogsignale müssen Sie die Abschirmung des Kabels auf die Erdungsschiene auflegen. Die Abschirmung des Kabels soll dabei möglichst kurz vor dem Anschluss entfernt werden, um die Strecke mit nicht-geschirmten Leitungen möglichst kurz zu halten. Der Schirmanschluss muss mit Schirmschellen erfolgen.

Blockschaltbild und Beschaltungsvarianten

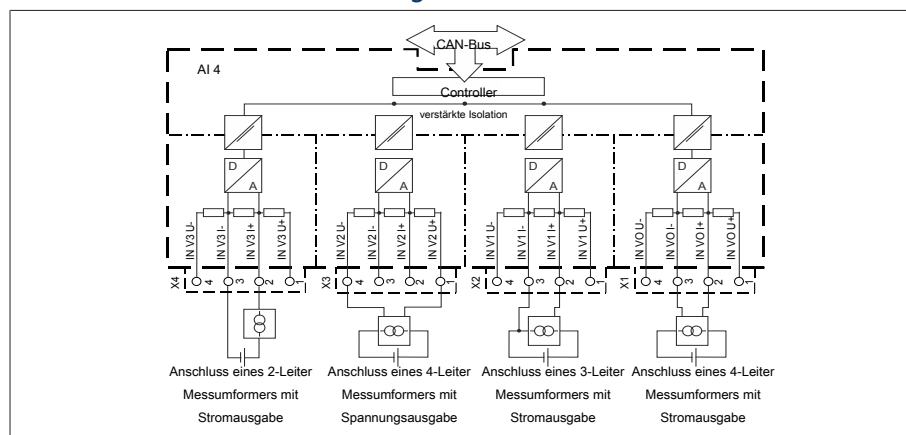


Abbildung 36: Blockschaltbild für analoge Eingänge

1. Adern in die Klemme des Steckers führen und mit Hilfe eines Schraubendrehers befestigen.
2. Stecker in den zugehörigen Steckplatz gemäß Anschlussschaltbild [► Abschnitt 8.14, Seite 219] einstecken und verschrauben.

5.4.8 Digitale Eingänge DI 16-110 V verdrahten

Verfügt das Gerät über die Anschlüsse DI 16-110 V, müssen diese mit einer Hilfsspannung von 110 V DC versorgt werden.

- Prüfen Sie anhand der Anschlussklemmenbezeichnung auf der Rückseite des Geräts, welche Variante Ihnen zur Verfügung steht.

1. Adern gemäß Anschlussschaltbild [► Abschnitt 8.14, Seite 219] in die Klemme des Steckers DI 16-110V einführen und mit Hilfe eines Schraubendrehers befestigen.
2. Stecker in den zugehörigen Steckplatz einstecken und verschrauben.

Hilfsstromversorgung für digitale Eingänge

1. Adern in die Klemme X8:2 und X8:1 des Steckers X8 gemäß Anschlussschaltbild [► Abschnitt 8.14, Seite 219] einführen und mit Hilfe eines Schraubendrehers befestigen.
2. Stecker in den zugehörigen Steckplatz einstecken und verschrauben.

5.4.9 Digitale Eingänge DI 16-220 V verdrahten

Verfügt das Gerät über die Anschlüsse DI 16-220 V, gehen Sie wie folgt vor:

- Prüfen Sie anhand der Anschlussklemmenbezeichnung auf der Rückseite des Geräts, welche Variante Ihnen zur Verfügung steht.

1. Adern gemäß Anschlussschaltbild [► Abschnitt 8.14, Seite 219] in die Klemme des Steckers DI 16-220V einführen und mit Hilfe eines Schraubendrehers befestigen.
2. Stecker in den zugehörigen Steckplatz einstecken und verschrauben.

5.4.10 Digitale Ausgänge DO verdrahten

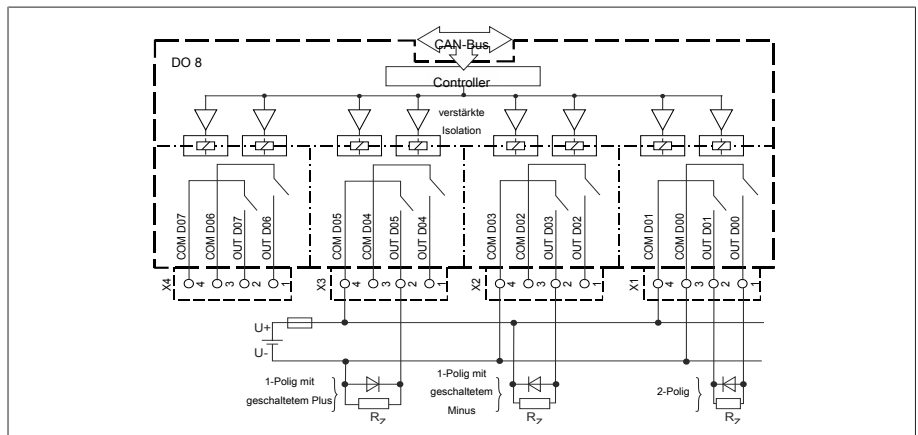


Abbildung 37: Blockschaltbild für digitale Ausgänge

1. Adern in die Klemme des Steckers Anschlusschaltbild führen und mit Hilfe eines Schraubendrehers befestigen.
2. Stecker in den zugehörigen Steckplatz einstecken und verschrauben.

5.4.11 Widerstandskontaktreihe verdrahten

Widerstandskontaktreihe an den Schnittstellen COM X6 und AI 4 gemäß Anschlusschaltbild [► Abschnitt 8.14, Seite 219] anschließen.

5.4.12 Stromversorgung und Erdung

5.4.12.1 Stromversorgung anschließen

Sie dürfen das Gerät nur an Stromkreise anschließen, die über eine externe Überstromschutzvorrichtung und eine allpolige Trennvorrichtung verfügen, um im Bedarfsfall (Service, Wartung etc.) die Einrichtung komplett spannungsfrei schalten zu können.

Geeignete Mittel können Trennvorrichtungen nach IEC 60947-1 und IEC 60947-3 sein (z. B. Leistungsschalter). Beachten Sie bei der Auswahl des Trennschaltertyps die Eigenschaften aus den jeweiligen Stromkreisen (Spannung, maximale Ströme). Beachten Sie zudem Folgendes:

- Die Trennvorrichtung muss für den Benutzer leicht erreichbar sein
- Die Trennvorrichtung muss für das zu trennende Gerät und die zu trennenden Stromkreise gekennzeichnet sein
- Die Trennvorrichtung darf nicht Bestandteil der Netzleitung sein
- Die Trennvorrichtung darf den Hauptschutzleiter nicht unterbrechen

Leitungsschutzschalter Sie müssen den Versorgungsstromkreis mit einem Leitungsschutzschalter absichern. Der Leitungsschutzschalter muss folgende Eigenschaften aufweisen:

- Bemessungsstrom: 6...10 A
- Auslösecharakteristik: C, K oder Z

Leiterquerschnitt Verwenden Sie für den Versorgungsstromkreis einen Leiterquerschnitt entsprechend des von Ihnen ausgewählten Leitungsschutzschalters, mindestens jedoch $1,5 \text{ mm}^2$ (AWG 15).

Stromversorgung anschließen

- > Die Stromversorgung gemäß Anschlusschaltbild [► Abschnitt 8.14, Seite 219] anschließen und Gerät erden.

5.4.12.2 Erdung anschließen

1. Mutter und Unterlegscheibe der Erdungsschraube entfernen.
2. Erdungskabel sowie die Erdungsader des Stromversorgungskabel an der Erdungsschraube des Geräts anbringen und mit der Mutter sowie der Unterlegscheibe befestigen.

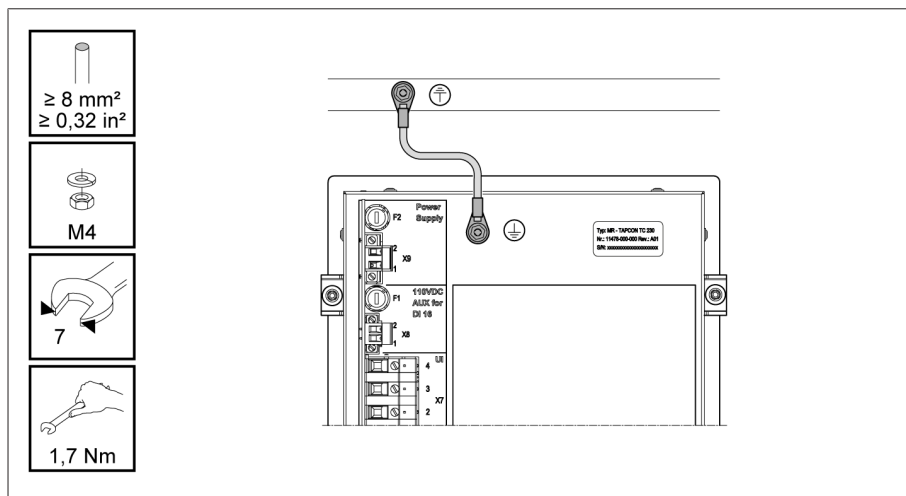


Abbildung 38: Anschluss des Erdungskabels

5.4.12.3 Erdung des Geräts mit Gehäuse anschließen (optional)

Falls Sie das Gerät in ein Gehäuse eingebaut haben, führen Sie die Erdung wie folgt durch:

- ✓ Schwenkrahmen ist geöffnet.
1. Ein Erdungskabel durch eine Kabelverschraubung führen.
 2. Erdungsschraube am Gehäuse lösen und das Erdungskabel an den dafür vorgesehenen Sternpunkt im Gehäuse anschließen.

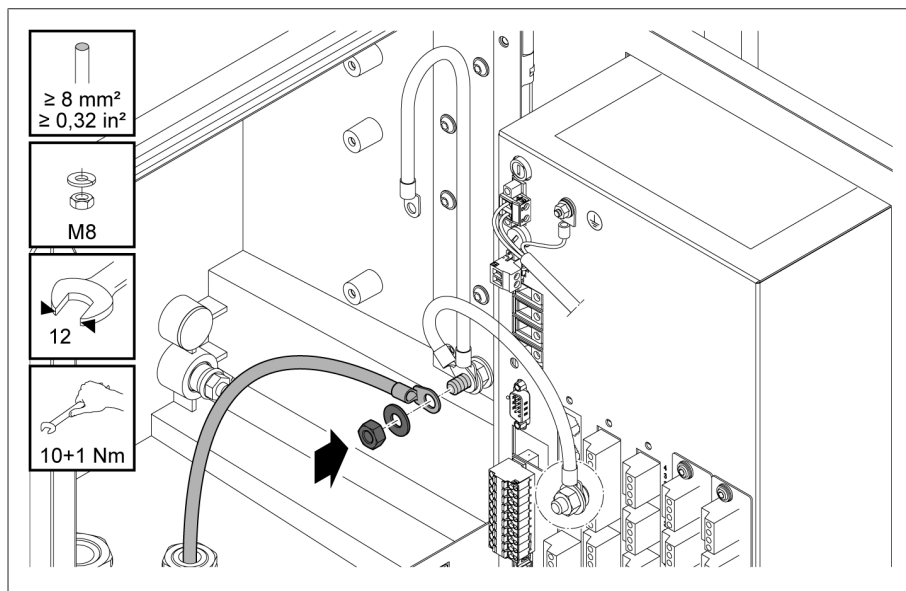


Abbildung 39: Gehäuse erden

3. Erdungskabel des Gehäuses an der Erdungsschraube des Geräts befestigen.
Ggf. Schutzleiter des Stromversorgungskabels ebenfalls an der Erdungsschraube befestigen.

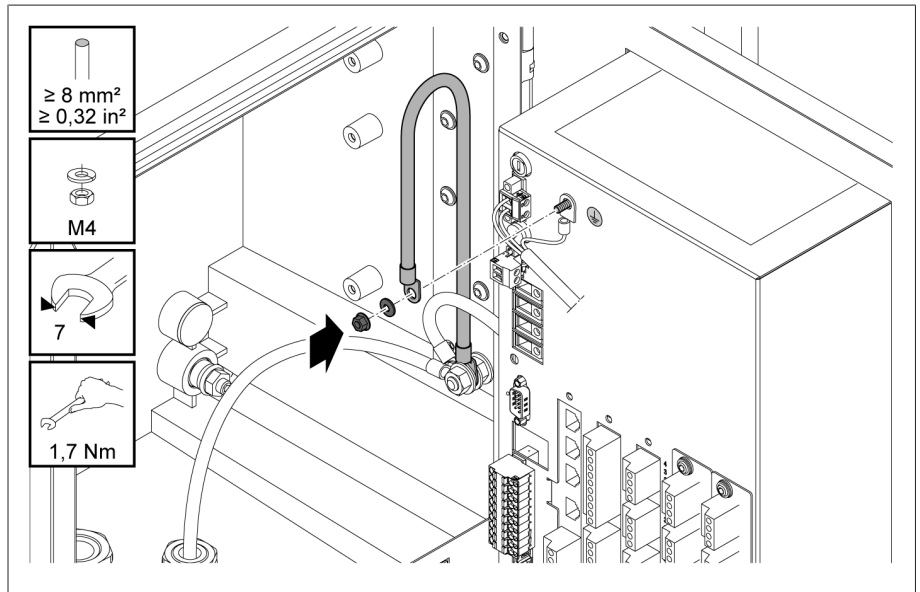


Abbildung 40: Erdungskabel des Gehäuses und Schutzleiter an Gerät befestigen

5.5 Prüfungen durchführen

ACHTUNG

Schäden an Gerät und Anlagenperipherie!

Ein unsachgemäß angeschlossenes Gerät kann zu Schäden an Gerät und Anlagenperipherie führen.

- > Vor Inbetriebnahme die Gesamtschaltung prüfen.
- > Vor Inbetriebnahme die Versorgungsspannung und die Messspannung prüfen.

- > Gerät an das Stromnetz anschließen.
 - » Das Display zeigt das MR-Logo und anschließend den Betriebsbildschirm an.
 - » Die LED *Spannungsanzeige* oben links auf der Frontplatte des Geräts leuchtet.

6 Erste Schritte

ACHTUNG

Schäden an Gerät und Anlagenperipherie!

Ein unsachgemäß angeschlossenes Gerät kann zu Schäden an Gerät und Anlagenperipherie führen.

- > Vor Inbetriebnahme die Gesamtschaltung prüfen.

Sobald das Gerät hochgefahren ist und den Startbildschirm anzeigt, werden Sie aufgefordert die nachfolgend genannten Einstellungen durchzuführen.

6.1 Verbindung zur Visualisierung herstellen

Sie können über 2 Schnittstellen eine Verbindung zur Visualisierung herstellen:

- Frontschnittstelle (für den Zugriff vor Ort)
- Optional: Schnittstelle X3 auf der Rückseite des Geräts (für den Zugriff mittels abgesetztem Display, Leitstelle etc.)

Systemvoraussetzungen

Um auf die webbasierte Visualisierung zuzugreifen, benötigen Sie einen PC mit einem HTML5-fähigen Browser. Die Anzeige ist für die folgenden Browser optimiert:

- Microsoft Edge
- Google Chrome™

Verbindung über Frontschnittstelle herstellen

1. Schnittstellenabdeckung auf der Frontseite des Geräts entfernen.
2. Die Schnittstellen COM-X2 und CPU-X3 mit dem mitgelieferten Patchkabel miteinander verbinden.

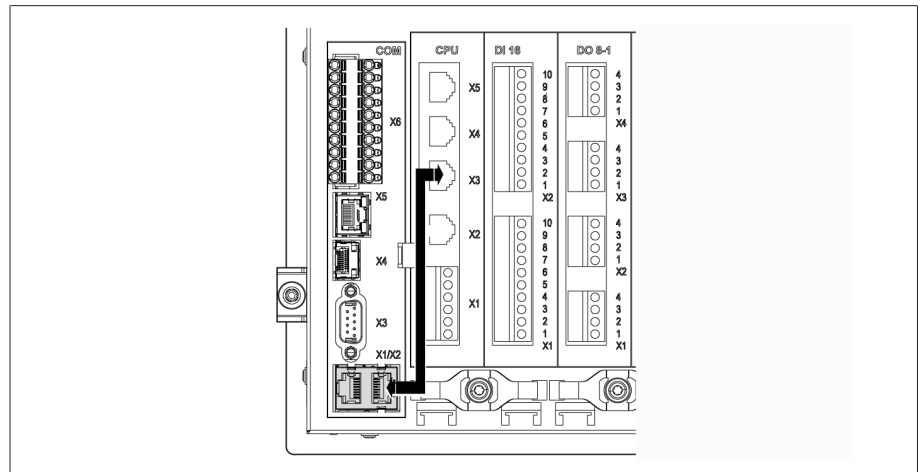


Abbildung 41: Patchkabel auf der Rückseite

3. PC und Gerät mittels Ethernetkabel (RJ45-Stecker) über die Frontschnittstelle verbinden.

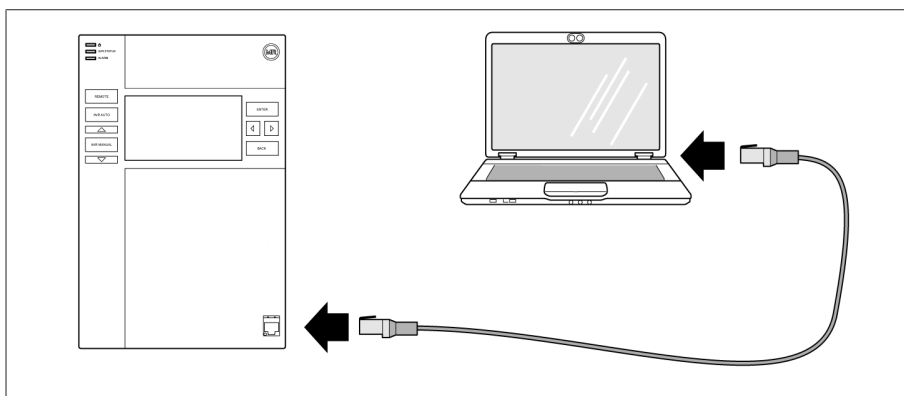


Abbildung 42: Verbindung über die Frontschnittstelle herstellen

4. Dem PC eine eindeutige IP-Adresse zuweisen, die sich im gleichen Subnetz wie das Gerät befindet (z. B. 192.168.165.100).
5. Die IP-Adresse der Visualisierung `http://192.168.165.1`, oder bei aktiver SSL-Verschlüsselung `https://192.168.165.1`, auf dem PC in den Browser eingeben.
 - » Die Visualisierung wird aufgerufen.

Verbindung über rückseitige Schnittstelle CPU-X3 herstellen

1. PC und Gerät mittels vorkonfektioniertem Patchkabel über die rückseitige Schnittstelle CPU-X3 verbinden.
2. Auf dem Gerät den Menüpunkt **Kommunikation** auswählen, um die IP-Adresse des Geräts anzuzeigen.
3. Dem PC eine eindeutige IP-Adresse zuweisen, die sich im gleichen Subnetz wie das Gerät befindet (z. B. 192.0.1.100).
4. Die IP-Adresse der Visualisierung (z. B. `http://192.0.1.230`, bei aktiver SSL-Verschlüsselung `https://192.0.1.230`) auf dem PC in den Browser eingeben.
 - » Die Visualisierung wird aufgerufen.

6.2 Sprache einstellen


Englisch	Italienisch
Deutsch	Portugiesisch
Französisch	Russisch
Spanisch	Chinesisch
Koreanisch	Polnisch

Tabelle 5: Einstellbare Anzeigesprachen

1. In der Statusleiste die Schaltfläche EN auswählen.
2. Im Listenfeld die gewünschte Sprache auswählen.
3. Die Schaltfläche Übernehmen auswählen, um den Parameter zu übernehmen.
 - » Der Dialog „Gerät neustarten“ wird angezeigt.
4. Das Gerät neustarten, um die geänderte Spracheinstellung zu übernehmen.

6.3 Betriebsanleitung herunterladen

Laden Sie sich die Betriebsanleitung vom Gerät herunter, um mit der Inbetriebnahme und Parametrierung des Geräts zu beginnen.

- > In der Statuszeile  auswählen.
- » Die Betriebsanleitung wird heruntergeladen.

Das Dokument steht Ihnen alternativ im MR-Kundenportal oder auf unserer Website www.reinhausen.com zum Download zur Verfügung.

7 Störungsbeseitigung

7.1 Generelle Störungen

Ausprägung/Detail	Ursache	Abhilfe
Keine Funktion – LED <i>Stromversorgung</i> leuchtet nicht	Keine Stromversorgung.	Stromversorgung prüfen.
	Sicherung ausgelöst.	Maschinenfabrik Reinhausen GmbH kontaktieren.
Keine Funktion – LED <i>AVR STATUS</i> leuchtet nicht	Konfigurationsfehler	Maschinenfabrik Reinhausen GmbH kontaktieren.
Relais klappern	Hohe EMV-Belastung.	Geschirmte Kabel oder externe Filter verwenden.
	Schlechte Erdung.	Funktionserdung prüfen.

Tabelle 6: Generelle Störungen

7.2 Human-Machine-Interface

Ausprägung/Detail	Ursache	Abhilfe
Display – Keine Anzeige.	Stromversorgung unterbrochen.	Stromversorgung prüfen.
	Sicherung defekt.	Maschinenfabrik Reinhausen kontaktieren.
Kein Verbindungsaufbau zur Visualisierung möglich	Verbindungskabel fehlerhaft.	Verbindungskabel überprüfen.
	SSL-Verschlüsselung aktiv.	SSL-Zertifikat im Browser akzeptieren.
		IP-Adresse mit <code>https://</code> aufrufen.
		SSL-Verschlüsselung deaktivieren.
PC nicht im gleichen Subnetz wie Visualisierung.	Einstellung der IP-Adressen von Gerät und PC prüfen und ggf. korrigieren.	
Fehlerhafte Anzeige der Visualisierung im Webbrowser.	Zugriff auf die Visualisierung mittels Webbrowser nach einem Software-Update.	Cache des Webbrowsers löschen.

Tabelle 7: Human-Machine-Interface

7.3 Sonstige Störungen

Sollte es bei einer Störung keine auffindbare Lösung geben, kontaktieren Sie bitte die Maschinenfabrik Reinhausen. Halten Sie bitte folgende Daten bereit:

- Seriennummer
- Typenschild
- Softwareversion

Bereiten Sie sich auf folgende Fragen vor:

- Gab es ein Softwareupdate?
- Gab es bereits in der Vergangenheit Probleme mit diesem Gerät?
- Gab es diesbezüglich bereits Kontakt zur Maschinenfabrik Reinhausen?
Wenn ja, zu wem?

Technischer Service

Maschinenfabrik Reinhausen GmbH
Technischer Service
Postfach 12 03 60
93025 Regensburg
Deutschland
Telefon: +49 94140 90-0
Email: service@reinhausen.com
Internet: www.reinhausen.com

Einen Überblick der verfügbaren Services zum Produkt finden Sie im Kundenportal: <https://portal.reinhausen.com>

8 Technische Daten

8.1 Anzeigeelemente

Display	5" TFT-Farbdisplay
LEDs	3 LEDs für Betriebsanzeige und Meldungen - POWER, AVR STATUS, ALARM - HÖHER, TIEFER, AUTO, MANUAL, REMOTE

8.2 Materialien

TAPCON® 230	
Front	Aluminium, Kunststoff
Wanne/Rückseite	Edelstahl
Gehäuse (optional)	Kunststoff

8.3 Abmessungen

TAPCON® 230 B x H x T	218 mm x 324 mm x 130 mm (8,58 in x 12,76 in x 5,12 in) (ohne Gegenstecker) Gegenstecker 20 mm (0,79 in)
TAPCON® 230 mit Gehäuse (optional) B x H x T	Gesamt: 500 mm x 500 mm x 300 mm (19,69 in x 19,69 in x 11,81 in) Höhe mit Wandhalter: 521,3 mm (20,52 in)

8.4 Stromversorgung

Zulässiger Spannungsbereich	85...265 VAC/VDC U _N : 100...240 VAC U _N : 100...240 VDC
Max. Nennleistungsaufnahme	25 W
Zulässiger Frequenzbereich	50/60 Hz
Überspannungskategorie	OC III
Stoßprüfspannung	5 kV, 1,2µs/50µs (IEC 60255-27)
Interne Sicherung	250 VAC, 1,25 A, 5 x 20 mm, Charakteristik T (träge), Ausschaltvermögen H (min. 1500 A), Betriebstemperatur -30 °C...+100 °C

Tabelle 8: Stromversorgung

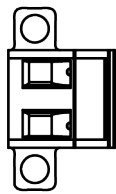
Schnittstelle	Pin	Beschreibung
	2	L
	1	N

Tabelle 9: Anschluss X9

Hilfsstromversorgung AUX DC DI 110V DC für digitale Eingänge

Die Hilfsstromversorgung dient ausschließlich für die Erfassung von bis zu 16 potenzialfreien Kontakten.

Ausgangsspannung	U_N : 110V DC \pm 2% (Kurzschlussfest)
Max. Ausgangsleistung	5 W
Überspannungskategorie	OC III
Stoßprüfspannung	5 kV, 1,2 μ s/50 μ s (IEC 60255-27)
Sicherung	250 VAC, 0,08 A, 5 x 20 mm, Charakteristik TT (superträge), Ausschaltvermögen L (min. 35 A), Betriebstemperatur -30 °C...+85 °C

Tabelle 10: Hilfsstromversorgung


Schnittstelle	Pin	Beschreibung
	2	L
	1	N

Tabelle 11: Anschluss X8

8.5 Spannungsmessung und Strommessung

Spannungsmessung TAPCON® 230 basic/pro/expert

Messbereich	20...197 VAC	
Nennspannung U_N	100 VAC	
Genauigkeit	$< \pm 0,3 \% \times U_N$ im Betriebstemperaturbereich	
Messkategorie (IEC 61010-2-30)	CAT III bei einer Höhenlage von 3.000 m	
Dauerhafte Überspannung	550 VAC	
Stoßprüfspannung	5 kV, 1,2 μ s / 50 μ s (IEC 60255-27)	

Spannungsmessung TAPCON® 230 AVT

Messbereich (umschaltbar)	132...280 VAC	228...510 VAC
Nennspannung U_N	230 VAC	400 VAC
Genauigkeit	$< \pm 0,3 \% \times U_N$ im Betriebstemperaturbereich	

Messkategorie (IEC 61010-2-30)	CAT III bei einer Höhenlage von 2.000 m CAT II bei einer Höhenlage von 3.000 m
Dauerhafte Überspannung	550 VAC
Stoßprüfspannung	5 kV, 1,2 µs / 50 µs (IEC 60255-27)

Strommessung

Frequenz	45...65 Hz
Nennstrom I_N	1 A oder 5 A (umschaltbar)
Genauigkeit	$< \pm 0,5 \% \times I_N$ im Betriebstemperaturbereich
Bürde	$< 0,1 \text{ VA}$
Überlastbarkeit dauerhaft	12,5 A
Überlastbarkeit kurzzeitig	500 A / 1 s
Stoßprüfspannung	5 kV, 1,2 µs / 50 µs (IEC 60255-27)

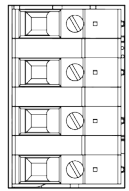
Schnittstelle	Pin	Beschreibung	
	4	N	VT (U_N : 100/230/400 V AC)
	3	L	VT
	2	I	CT
	1	k	CT

Tabelle 12: Anschluss UI:X7

8.6 Zentrale Recheneinheit

Prozessor	ARM Cortex A9 Processor 800 MHz
Arbeitsspeicher	512 MB
NVRAM (Akku-gepuffertes SRAM)	256 kB
Applikationsspeicher	2 GB
Digitale Relaisausgänge	2; galvanisch getrennt
Nennspannung	DC 24/48/60 V
Max. Dauerstrom	1 A (ohmsche Last)
Max. Schaltleistung	30 W
Bemessungsstoßspannung	2,0 kV

Ansprechverhalten des Watchdogs/Error Relais:

	Error Relais	Watchdog Relais
Power Off	OFF	OFF
Hochlauf	ON	OFF
Ready (kein anstehender Fehler)	OFF	ON
Ready (anstehender Fehler)	ON	ON

ON: Relais ist angezogen

OFF: Relais ist abgefallen

Schnittstellen

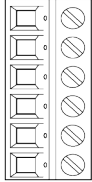
Schnittstelle	Pin	Beschreibung
	6	ER_NO
	5	ER_NC
	4	ER_COM
	3	WD_NO
	2	WD_NC
	1	WD_COM

Tabelle 13: Steckklemme CPU:X1

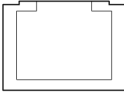
Schnittstelle X2, X3	Pin	Beschreibung
	8	NC
	7	NC
	6	RXD-
	5	NC
	4	NC
	3	RXD+
	2	TXD-
	1	TXD+

Tabelle 14: Ethernet-Schnittstelle CPU:X2/X3


Schnittstelle X4	Pin	Beschreibung
	8	NC
	7	NC
	6	GND
	5	NC
	4	NC
	3	NC
	2	TXD+/RXD+
	1	TXD-/RXD-

Tabelle 15: Serielle Schnittstelle RS485 CPU:X4


Schnittstelle X5	Pin	Beschreibung
	8	DTR (O)
	7	DCD (I)
	6	GND
	5	RXD (I)
	4	TXD (O)
	3	VCC/OUT 5V/12V
	2	RTS (O)
	1	CTS (I)

Tabelle 16: Serielle Schnittstelle RS232 CPU:X5

8.7 Digitale Eingänge

	DI 16-110 V	DI 16-220 V Nur bei den Varianten TAPCON® 230 Basic, Pro und Expert vorhanden.
Eingänge (steckerweise galvanisch getrennt)	2 x 8	
Nennspannung	110 VDC	220 VDC
Max. Betriebsspannung	143 VDC	253 VDC 253 VAC
Logisch 0	≤ 55 VDC	≤ 110 V
Logisch 1	≥ 82,5 VDC	≥ 165 V
Eingangsstrom	0,9 mA	0,6 mA
Gleichzeitigkeitsfaktor (bei 65 °C Umgebungstemperatur)	Max. 13 Eingänge	

Tabelle 17: Technische Daten DI 16-110V und DI 16-220V

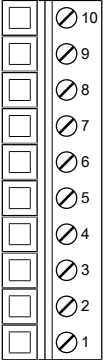
Schnittstelle	Pin	Beschreibung
	10	Gemeinsamer Bezug (Common)
	9	Gemeinsamer Bezug (Common)
	8	Eingang 7
	7	Eingang 6
	6	Eingang 5
	5	Eingang 4
	4	Eingang 3
	3	Eingang 2
	2	Eingang 1
	1	Eingang 0

Tabelle 18: Stecker X1 (Gruppe 0)

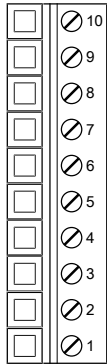
Schnittstelle	Pin	Beschreibung
	10	Gemeinsamer Bezug (Common)
	9	Gemeinsamer Bezug (Common)
	8	Eingang 17
	7	Eingang 16
	6	Eingang 15
	5	Eingang 14
	4	Eingang 13
	3	Eingang 12
	2	Eingang 11
	1	Eingang 10

Tabelle 19: Stecker X2 (Gruppe 1)

8.8 Digitale Ausgänge

	DO 8
Ausgänge (steckerweise galvanisch getrennt)	8 Relais 4 Gruppen je Modul
Schaltspannung	DC: 24 V, 48 V, 60 V, 110 V, 220 V AC: 110 V, 230 V
Kontaktbelastbarkeit	Min.: 5 VDC, 10 mA Max. DC: siehe Diagramm Max. AC: 250 V; 3 A (8 aktive Ausgänge) oder 5 A (4 aktive Ausgänge)

Tabelle 20: Technische Daten der Baugruppe DO 8

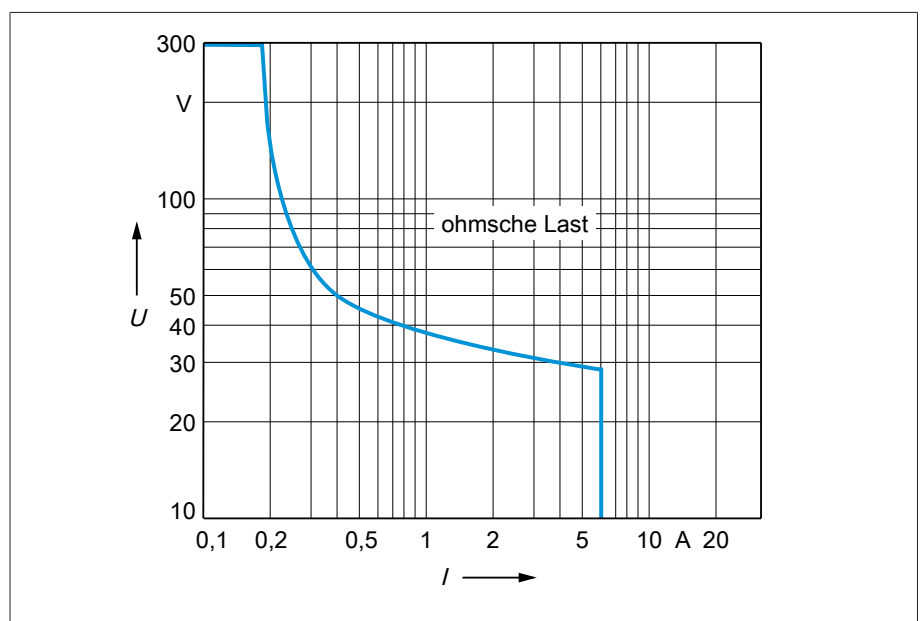


Abbildung 43: Kontaktbelastbarkeit der digitalen Ausgänge bei ohmscher Belastung

⚠ VORSICHT



Elektrischer Schlag!

Die Ausgänge der Baugruppe DO sind steckerweise galvanisch getrennt. Eine Mischung von Spannungsbereichen (z. B. Kleinspannung und Niederspannung) oder verschiedener Phasen innerhalb eines Steckers kann zur Verringerung des Schutzes vor elektrischem Schlag führen.

- > Innerhalb eines Steckers gleiche Spannungsbereiche verwenden.
- > Innerhalb eines Steckers gleiche Phase verwenden.

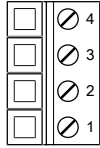
Schnittstelle	Pin	Beschreibung
	4	Gemeinsamer Bezug (Common) Ausgang 1
	3	Gemeinsamer Bezug (Common) Ausgang 0
	2	Ausgang 1
	1	Ausgang 0

Tabelle 21: Stecker X1 (Gruppe 0)

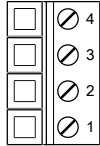
Schnittstelle	Pin	Beschreibung
	4	Gemeinsamer Bezug (Common) Ausgang 3
	3	Gemeinsamer Bezug (Common) Ausgang 2
	2	Ausgang 3
	1	Ausgang 2

Tabelle 22: Stecker X2 (Gruppe 1)

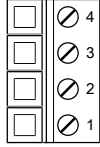
Schnittstelle	Pin	Beschreibung
	4	Gemeinsamer Bezug (Common) Ausgang 5
	3	Gemeinsamer Bezug (Common) Ausgang 4
	2	Ausgang 5
	1	Ausgang 4

Tabelle 23: Stecker X3 (Gruppe 2)

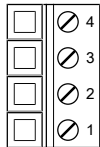
Schnittstelle	Pin	Beschreibung
	4	Gemeinsamer Bezug (Common) Ausgang 7
	3	Gemeinsamer Bezug (Common) Ausgang 6
	2	Ausgang 7
	1	Ausgang 6

Tabelle 24: Stecker X4 (Gruppe 3)

8.9 Analoge Eingänge

AI 4	
Eingänge (galvanisch getrennt)	4 x 1
Messbereich	0...20 mA, Überstrom ca. 20% 0...10 V, Überspannung ca. 30%
Genauigkeit	0,15% bei 25°C Strom 0,2% bei 0...50°C 0,3% bei -20...70°C 0,4% bei -40...70°C Spannung 0,4% bei 0...50°C 0,5% bei -20...70°C 0,6% bei -40...70°C
Eingangsimpedanz	52 Ω bei 0...20 mA 20,5 kΩ bei 0...10 V

Tabelle 25: Technische Daten der Baugruppe AI 4

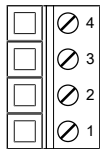
Schnittstelle	Pin	Beschreibung
	4	V0 U- Spannungseingang
	3	V0 I- Stromeingang
	2	V0 I+ Stromausgang
	1	V0 U+ Spannungsausgang

Tabelle 26: Stecker X1 (Gruppe 0)

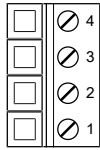
Schnittstelle	Pin	Beschreibung
	4	V1 U- Spannungseingang
	3	V1 I- Stromeingang
	2	V1 I+ Stromausgang
	1	V1 U+ Spannungsausgang

Tabelle 27: Stecker X2 (Gruppe 1)

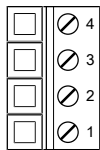
Schnittstelle	Pin	Beschreibung
	4	V2 U- Spannungseingang
	3	V2 I- Stromeingang
	2	V2 I+ Stromausgang
	1	V2 U+ Spannungsausgang

Tabelle 28: Stecker X3 (Gruppe 2)

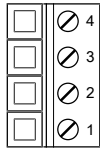
Schnittstelle	Pin	Beschreibung
	4	V3 U- Spannungseingang
	3	V3 I- Stromeingang
	2	V3 I+ Stromausgang
	1	V3 U+ Spannungsausgang

Tabelle 29: Stecker X4 (Gruppe 3)

8.10 Kommunikationsschnittstellen

Beschreibung	Baugruppe zur Konvertierung der Schnittstellen und Medien
Schnittstellen	1x RS232/RS485 (RJ45): COM-X1 2x Ethernet (RJ45): COM-X2, COM-X5 1x RS232 (DSub): COM-X3 1x Duplex-LC (SFP): COM-X4 1x Steckklemme 10-polig: COM-X6
COM-X1 Nur bei den Varianten TAPCON® 230 Pro, Expert und AVT vorhanden.	Interne Systemschnittstelle zur Anbindung der Schnittstelle COM-X6 an die zentrale Recheneinheit (CPU)
COM-X2	Interne Systemschnittstelle zur Verbindung der Frontschnittstelle mit der zentralen Recheneinheit (CPU)
COM-X3 Nur bei den Varianten TAPCON® 230 Expert und AVT vorhanden.	Serielle SCADA-Schnittstelle RS232 – 9-polige D-SUB-Buchse
COM-X4 Nur bei den Varianten TAPCON® 230 Expert und AVT vorhanden.	SFP-Modul zur Konvertierung von Ethernet (RJ45) auf Lichtwellenleiter für SCADA – Max. 2000 m – 100 MBit/s – Licht emittierende Diode: Klasse 1 – Wellenlänge: 1310 nm – Max. optische Ausgangsleistung: <1 mW (gemäß IEC 60825-1:2014)
COM-X5 Nur bei den Varianten TAPCON® 230 Expert und AVT vorhanden.	Ethernet-Anschluss für SCADA
COM-X6 Nur bei den Varianten TAPCON® 230 Pro, Expert und AVT vorhanden.	10-polige Steckklemme – Stufenstellungserfassung über Widerstandskontaktreihe – CAN-Bus – Serielle SCADA-Schnittstelle RS485 – Galvanisch getrennt


Schnittstelle	Pin	Beschreibung
	1	CTS (I) (RS232); TXD-/RXD- (RS485)
	2	RTS (O) (RS232); TXD+/RXD+ (RS485)
	3	VCC/OUT 5V/12V (RS232)
	4	TXD (O) (RS232)
	5	RXD (I) (RS232)
	6	GND
	7	DCD (I) (RS232)
	8	DTR (O) (RS232)

Tabelle 30: COM-X1 (RS232/RS485)

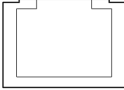
Schnittstelle	Pin	Beschreibung
	1	TxD+
	2	TxD-
	3	RxD+
	4	NC
	5	NC
	6	RxD-
	7	NC
	8	NC

Tabelle 31: COM-X2, COM-X5 (RJ45)

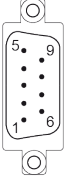
Schnittstelle	Pin	Beschreibung
	2	RxD
	3	TxD
	5	GND

Tabelle 32: COM-X3 (RS232)

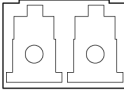
Schnittstelle	Beschreibung
	Glasfaser 50/125 und 62,5/125 multimode

Tabelle 33: COM-X4 (Duplex-LC SFP)

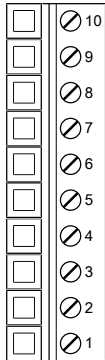
Schnittstelle	Pin	Beschreibung
	1	GND (Widerstandskontaktreihe)
	2	I out (Widerstandskontaktreihe)
	3	U+ in (Widerstandskontaktreihe)
	4	U- in (Widerstandskontaktreihe)
	5	Data - (RS485)
	6	GND (RS485)
	7	Data + (RS485)
	8	CAN-L (CAN-Bus)
	9	CAN-GND (CAN-Bus)
	10	CAN-H (CAN-Bus)

Tabelle 34: COM-X6

8.11 Stufenstellungserfassung/Widerstandskontaktreihe

Galvanische Trennung	Prüfspannung Stehwechselfspannung: 500 V _{eff} 50 Hz; 1 min
Stufenstellungserfassung	35 Stufen, 2000 Ohm

8.12 Umgebungsbedingungen

Betriebstemperatur	-25...+70 °C
Lagertemperatur	-30...+85 °C (mit Batterie)
Relative Feuchte	5...95 % ohne Betauung
Verschmutzungsgrad	2
Schutzklasse	I
Schutzart	Frontseitig: IP54 Rückseitig: IP20 Mit optionalem Gehäuse: IP56
Maximale Einsatzhöhe	3000 m über NN
Mindestabstand zu anderen Geräten/Schaltschrank	Oben/unten: 88,9 mm (3,5 in; entspricht 2 HE), hinten 30 mm (1,2 in)

Tabelle 35: Zulässige Umgebungsbedingungen

8.13 Normen und Richtlinien

Elektromagnetische Verträglichkeit	IEC 61000-6-2, IEC 61000-6-4, IEC 61000-6-5 EN 60255-26 KN 61000-6-2, KN 61000-6-4 FCC 47 CFR Part 15 B ICES-003
Elektrische Sicherheit	IEC 61010-1 IEC 61010-2-201 IEC 61010-2-030 EN 61010-1 UL 61010-1 CAN/CSA-C22.2 No. 61010-1
Messrelais und Schutzeinrichtungen	IEC 60255-1:2009 Kapitel 6.10.1, 6.10.2 und 6.10.4 IEC 60255-27:2013 Kapitel 10.6.4.2, 10.6.4.3, 10.6.4.4 und 10.6.5.3
Klimatische Umgebungsbedingungen	IEC 60068-2-1 (-25°C; 96h) Kälte IEC 60068-2-2 (+70°C; 96h) Trockene Wärme IEC 60068-2-78 (+40°C / 93% r. H., 96h) Feuchte Wärme, konstant IEC 60068-2-30 (+55°C, 6 Zyklen 12 + 12 Stunden) Feuchte Wärme, zyklisch
Schutzartprüfung	IEC 60529
Beständigkeitsprüfungen Umwelt	IEC 60255-21-1 Schwingungen Class 1 (3 Zyklen, 0,5g Beschleunigung 1 Oktave/min oder 60 Zyklen, 1,0g Beschleunigung, 1 Oktave/min)
	IEC 60255-21-2 Schocken Class 1 (Dauer 11ms, 5g bzw. 15g Beschleunigung, Anz. Achsen 3)
	IEC 60255-21-3 Erdbeben Class 1 (Frequenz 1-35Hz, 3.5mm/1g Beschleunigung horiz., 1.5mm/0.5g Beschleunigung vert., 1 Oktave/min, Dauer 10min/Achse)
	IEC 60068-2-6 Vibration sinusoidal
	IEC 60068-2-27 Shock

Tabelle 36: Normen und Richtlinien

8.14 Anschlussschaltbilder

Sehen Sie dazu auch

- 📄 TAPCON® 230 Basic (DI 16-110 V) [▶ 220]
- 📄 TAPCON® 230 Basic (DI 16-220 V) [▶ 222]
- 📄 TAPCON® 230 Pro (DI 16-110 V) [▶ 224]
- 📄 TAPCON® 230 Pro (DI 16-220 V) [▶ 227]
- 📄 TAPCON® 230 Expert (DI 16-110 V) [▶ 230]
- 📄 TAPCON® 230 Expert (DI 16-220 V) [▶ 233]
- 📄 TAPCON® 230 AVT [▶ 236]

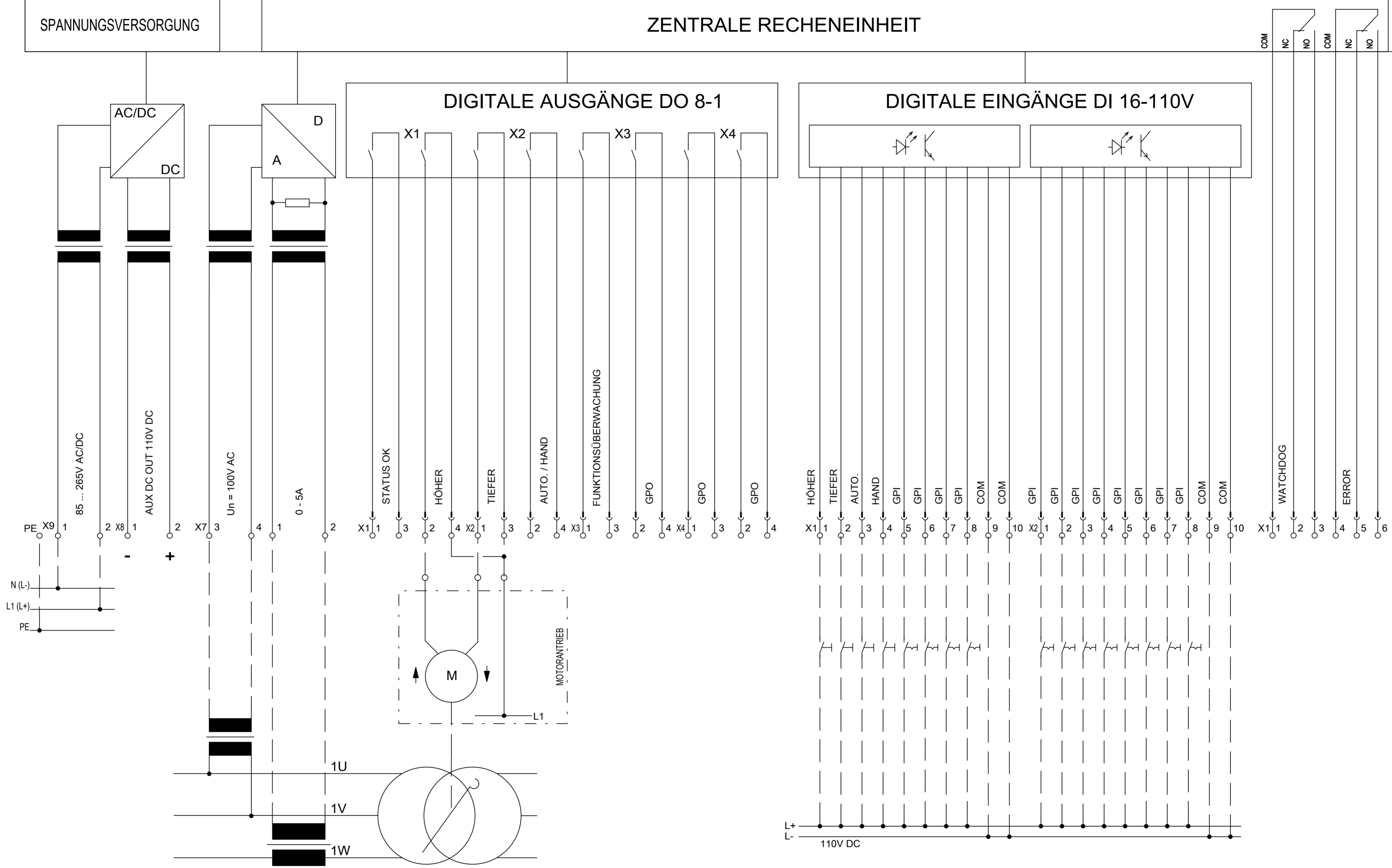
TAPCON® 230 - BASIC

SPANNUNGSVERSORGUNG

ZENTRALE RECHENEINHEIT

DIGITALE AUSGÄNGE DO 8-1

DIGITALE EINGÄNGE DI 16-110V



Fuer diese technische Unterlage behalten wir uns gemass DIN 34 Abschnitt 2.1 und 2.2 alle Rechte vor.

DRAWING BY CAD
DO NOT MODIFY MANUALLY

03	X7,X1 connection	29.09.21	LAINER	DATE	22.01.2021
02	DEL BCD	16.09.21	BECK	EXEC.	BECK
01	BCD signals	28.06.21	M Kahn	VERIFIED	AP
NO.	MODIFICATION	DATE	NAME	STANDARD	

ORIGIN	REPL	REPL BY
--------	------	---------



TAPCON® 230 BASIC

LANGUAGE:
DE

PROJECT:
7868400_03

=	
+	
SHEET 1	
2 SH.	

CUSTOMER

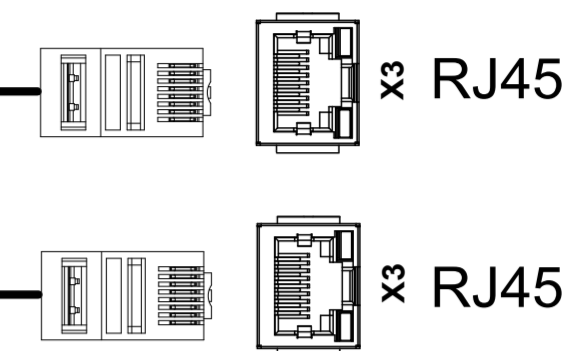
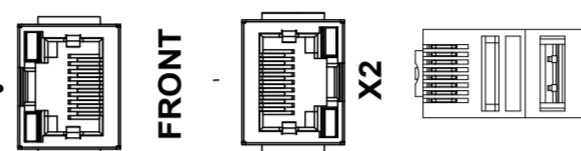
COM

CPU

VISU / SERVICE

RJ45

RJ45



Fuer diese technische Unterlage behalten wir uns gemaess
DIN 34 Abschnitt 2.1 und 2.2 alle Rechte vor.

DRAWING BY CAD
DO NOT MODIFY MANUALLY

03	X7,X1 connection	29.09.21	LAINER	DATE	22.01.2021
02	DEL BCD	16.09.21	BECK	EXEC.	BECK
01	BCD signals	28.06.21	M Kahn	VERIFIED	AP
NO.	MODIFICATION	DATE	NAME	STANDARD	

ORIGIN	REPL	REPL BY
--------	------	---------



TAPCON® 230 BASIC

LANGUAGE:
DE

PROJECT:
7868400_03

=
+
SHEET 2
2 SH

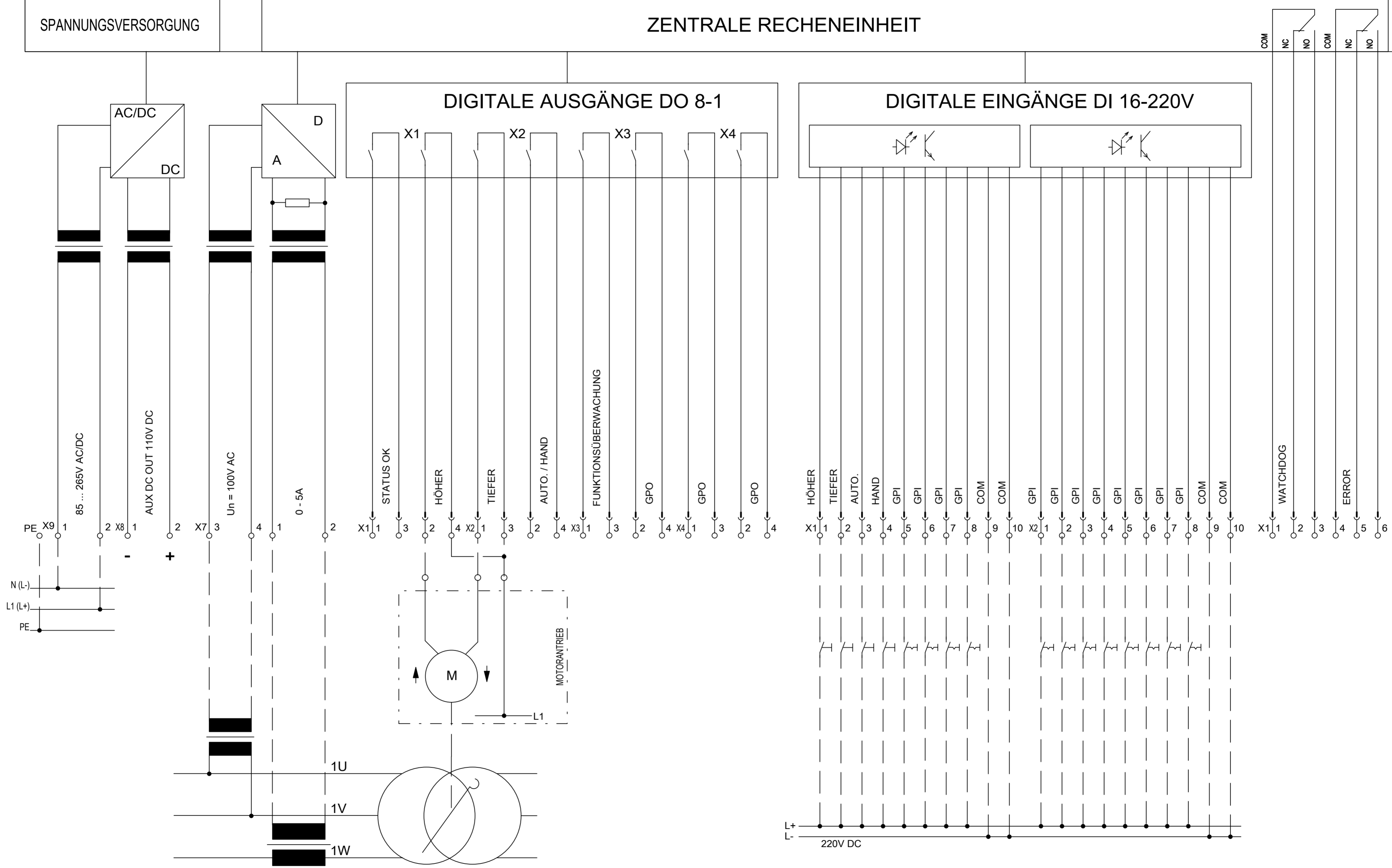
TAPCON® 230 - BASIC

SPANNUNGSVERSORGUNG

ZENTRALE RECHENEINHEIT

DIGITALE AUSGÄNGE DO 8-1

DIGITALE EINGÄNGE DI 16-220V



Fuer diese technische Unterlage behalten wir uns gemass
DIN 34 Abschnitt 2.1 und 2.2 alle Rechte vor.

DRAWING BY CAD
DO NOT MODIFY MANUALLY

DATE	06.09.2022						
EXEC.	BECK						
VERIFIED	AP						
NO.	MODIFICATION	DATE	NAME	STANDARD	ORIGIN	REPL	REPL BY



TAPCON® 230 BASIC

LANGUAGE:
DE

PROJECT:
9008262_00

=	
+	
SHEET 1	
2 SH.	

CUSTOMER

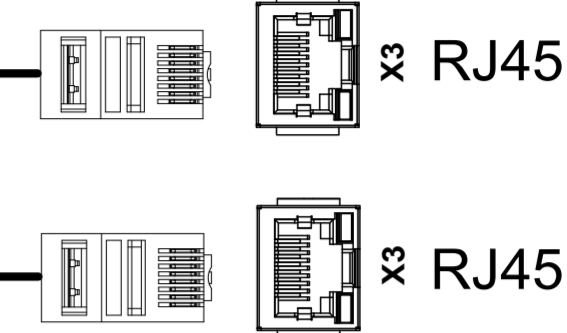
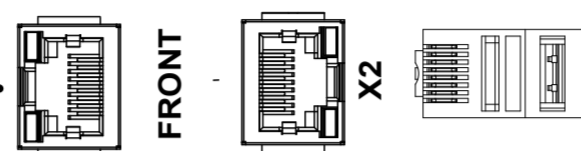
COM

CPU

VISU / SERVICE

RJ45

RJ45



Fuer diese technische Unterlage behalten wir uns gemaess
DIN 34 Abschnitt 2.1 und 2.2 alle Rechte vor.

DRAWING BY CAD
DO NOT MODIFY MANUALLY

				DATE	06.09.2022		
				EXEC.	BECK		
				VERIFIED	AP		
NO.	MODIFICATION	DATE	NAME	STANDARD	ORIGIN	REPL	REPL BY



TAPCON® 230 BASIC

LANGUAGE:
DE

PROJECT:
9008262_00

=
+
SHEET 2
2 SH.

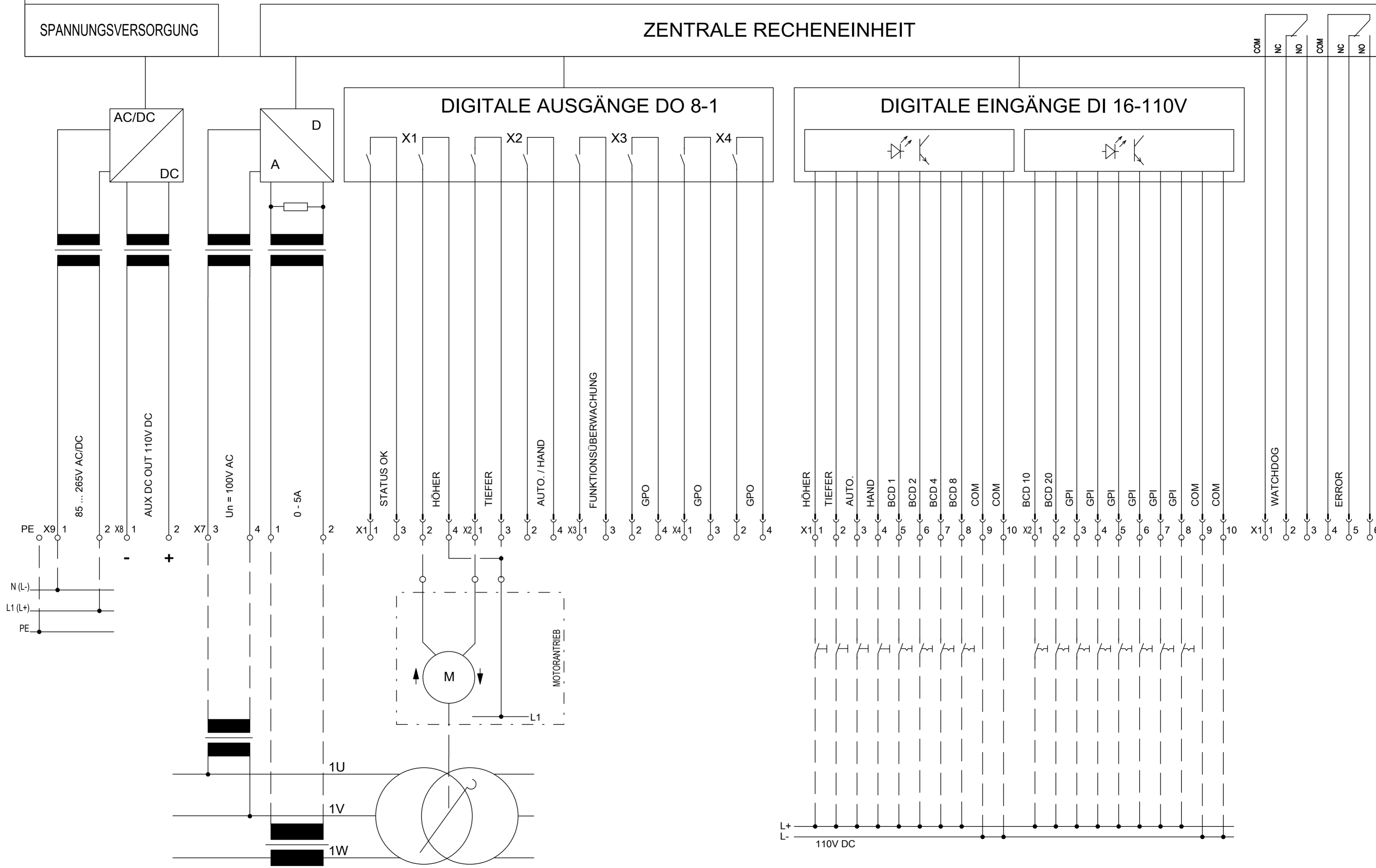
TAPCON® 230 - PRO

SPANNUNGSVERSORGUNG

ZENTRALE RECHENEINHEIT

DIGITALE AUSGÄNGE DO 8-1

DIGITALE EINGÄNGE DI 16-110V



Fuer diese technische Unterlage behalten wir uns gemass DIN 34 Abschnitt 2.1 und 2.2 alle Rechte vor.

DRAWING BY CAD
DO NOT MODIFY MANUALLY

02	X7,X1 connection	29.09.21	Lainer	DATE	22.01.2021
01	BCD signals	29.06.21	M Kahn	EXEC.	BECK
				VERIFIED	AP
NO.	MODIFICATION	DATE	NAME	STANDARD	

ORIGIN	REPL	REPL BY
--------	------	---------



TAPCON® 230 PRO

LANGUAGE:
DE

PROJECT:
7870260_02

=	
+	
SHEET 1	
3 SH.	

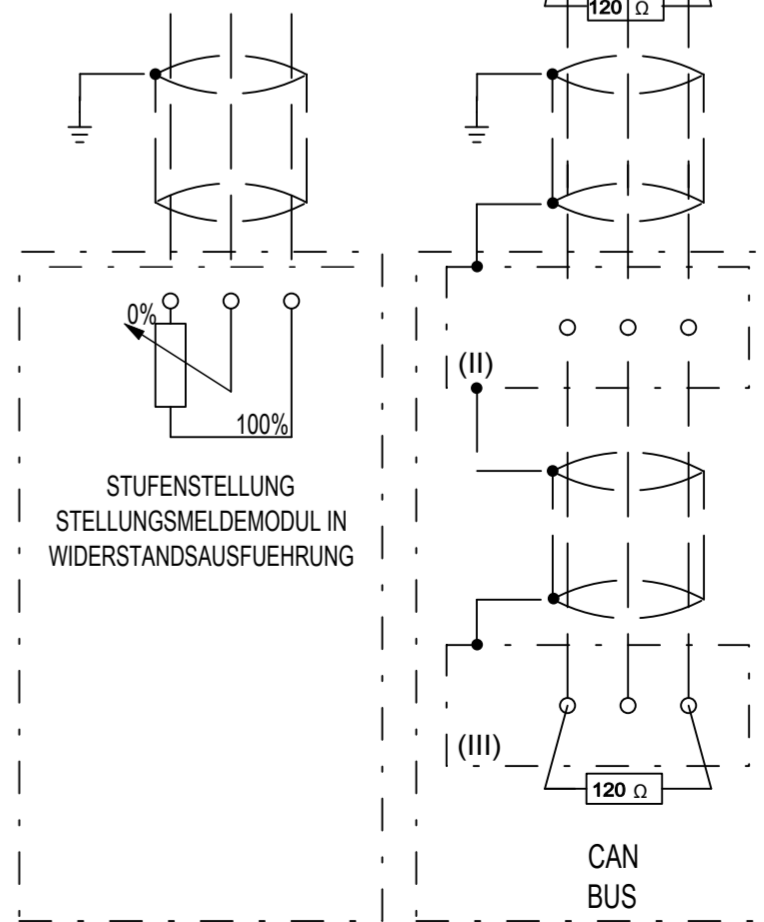
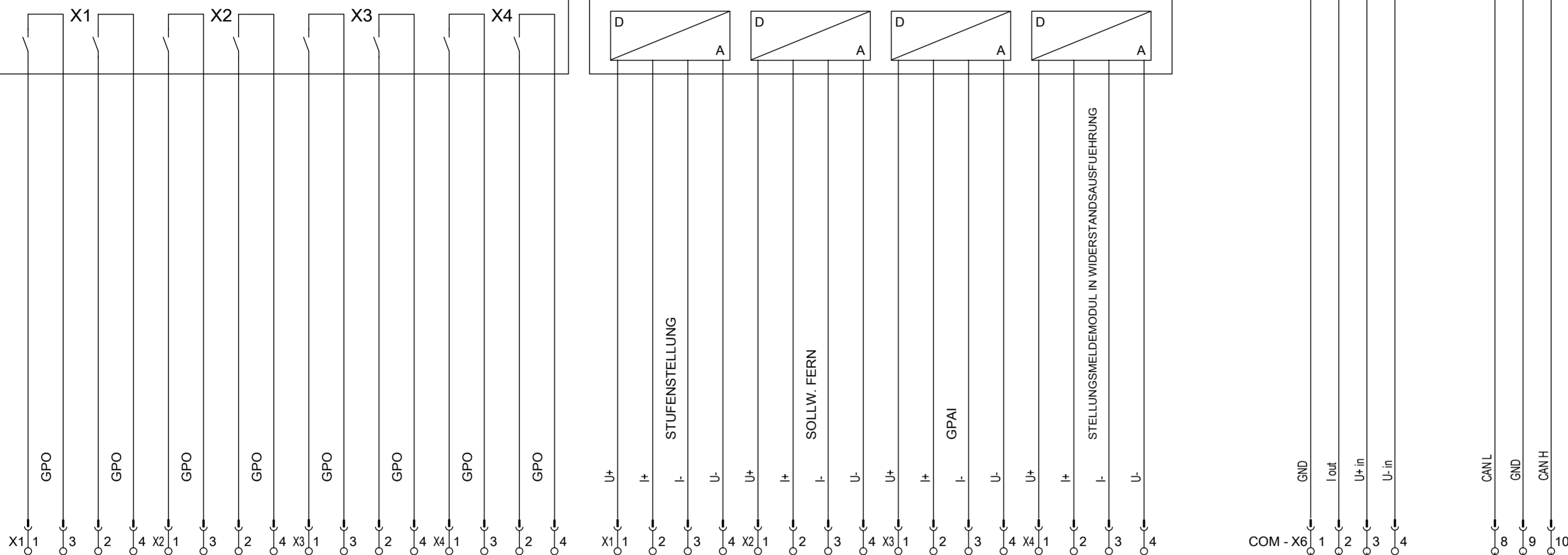
TAPCON® 230 - PRO

ZENTRALE RECHENEINHEIT

COM

DIGITALE AUSGÄNGE DO 8-2

ANALOGUE EINGÄNGE AI 4



Fuer diese technische Unterlage behalten wir uns gemass DIN 34 Abschnitt 2.1 und 2.2 alle Rechte vor.

DRAWING BY CAD
DO NOT MODIFY MANUALLY

02	X7, X1 connection	29.09.21	Lainer	DATE	22.01.2021
01	BCD signals	29.06.21	M Kahn	EXEC.	BECK
				VERIFIED	AP
NO.	MODIFICATION	DATE	NAME	STANDARD	



TAPCON® 230 PRO

LANGUAGE:
DE

PROJECT:
7870260_02

=	
+	
	SHEET 2
	3 SH.

CUSTOMER

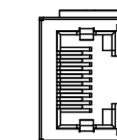
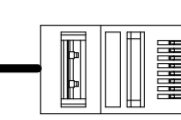
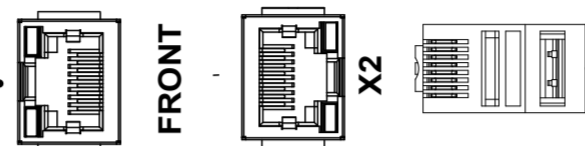
COM

CPU

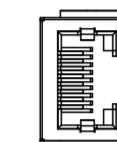
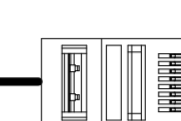
VISU / SERVICE

RJ45

RJ45



x3 RJ45



x3 RJ45

Fuer diese technische Unterlage behalten wir uns gemaess
DIN 34 Abschnitt 2.1 und 2.2 alle Rechte vor.

DRAWING BY CAD
DO NOT MODIFY MANUALLY

02	X7,X1 connection	29.09.21	Lainer	EXEC.	BECK
01	BCD signals	29.06.21	M Kahn	VERIFIED	AP
NO.	MODIFICATION	DATE	NAME	STANDARD	

DATE	22.01.2021
ORIGIN	
REPL	
REPL BY	



TAPCON® 230 PRO

LANGUAGE:
DE

PROJECT:
7870260_02

=	
+	
SHEET	3
	3 SH.

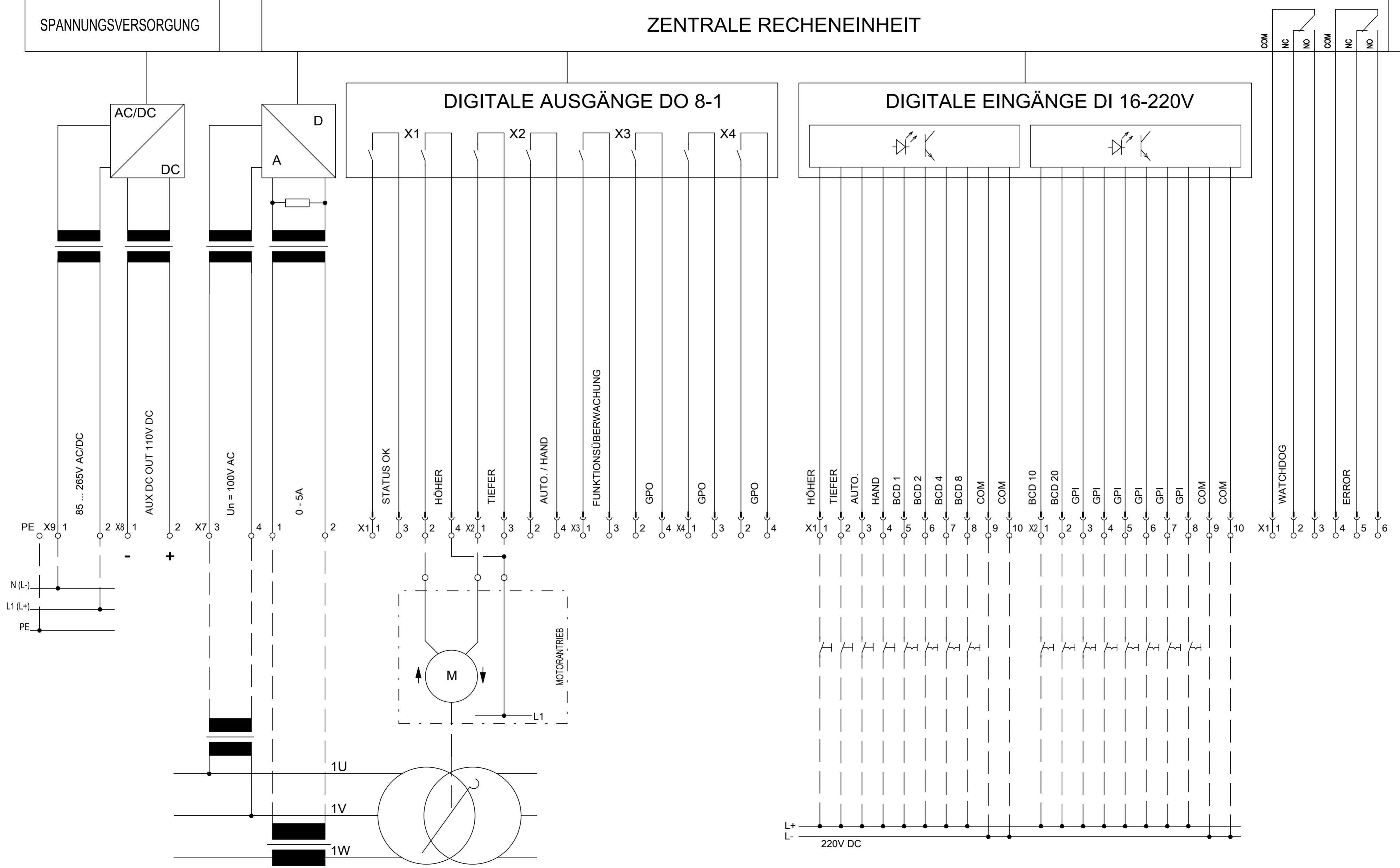
TAPCON® 230 - PRO

SPANNUNGSVERSORGUNG

ZENTRALE RECHENEINHEIT

DIGITALE AUSGÄNGE DO 8-1

DIGITALE EINGÄNGE DI 16-220V



Fuer diese technische Unterlage behalten wir uns gemass DIN 34 Abschnitt 2.1 und 2.2 alle Rechte vor.

DRAWING BY CAD
DO NOT MODIFY MANUALLY

DATE	06.09.2022						
EXEC.	BECK						
VERIFIED	AP						
NO.	MODIFICATION	DATE	NAME	STANDARD	ORIGIN	REPL	REPL BY



TAPCON® 230 PRO

LANGUAGE:
DE

PROJECT:
9008276_00

=	
+	
SHEET 1	
3 SH.	

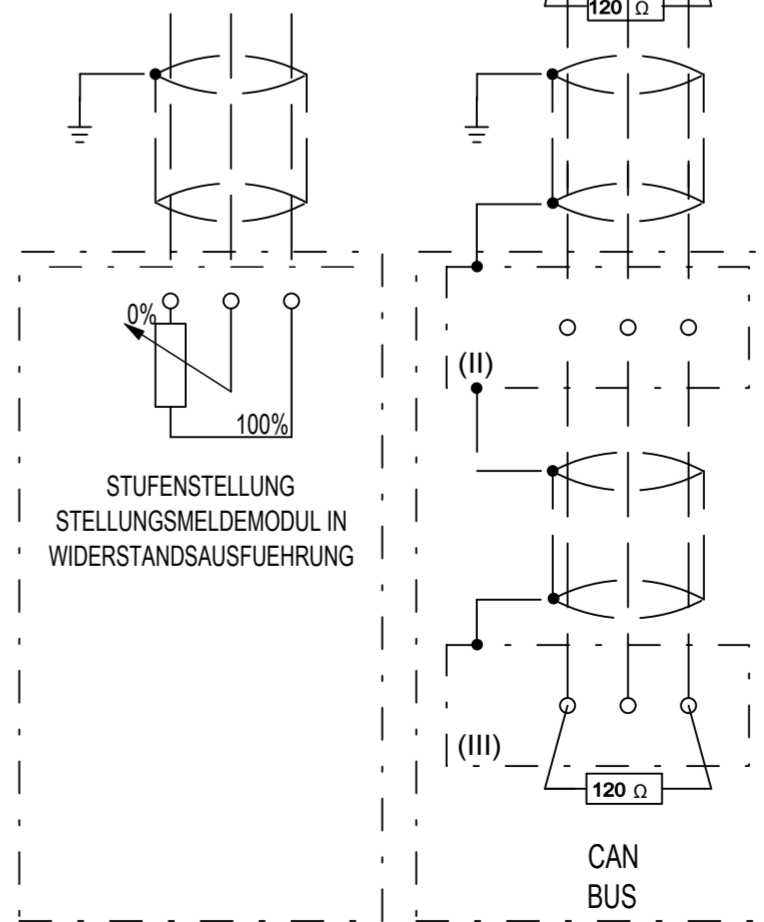
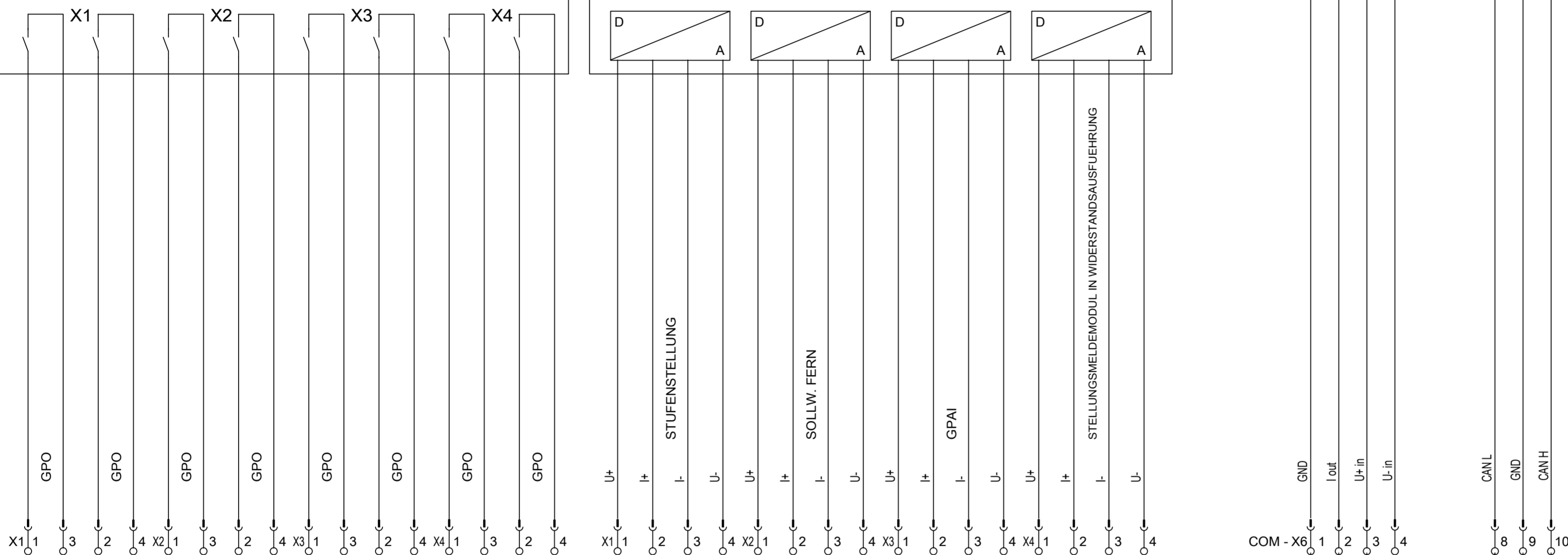
TAPCON® 230 - PRO

ZENTRALE RECHENEINHEIT

COM

DIGITALE AUSGÄNGE DO 8-2

ANALOGUE EINGÄNGE AI 4



Fuer diese technische Unterlage behalten wir uns gemass
DIN 34 Abschnitt 2.1 und 2.2 alle Rechte vor.

DRAWING BY CAD
DO NOT MODIFY MANUALLY

NO.	MODIFICATION	DATE	NAME	STANDARD	ORIGIN	REPL	REPL BY
		06.09.2022	BECK	AP			

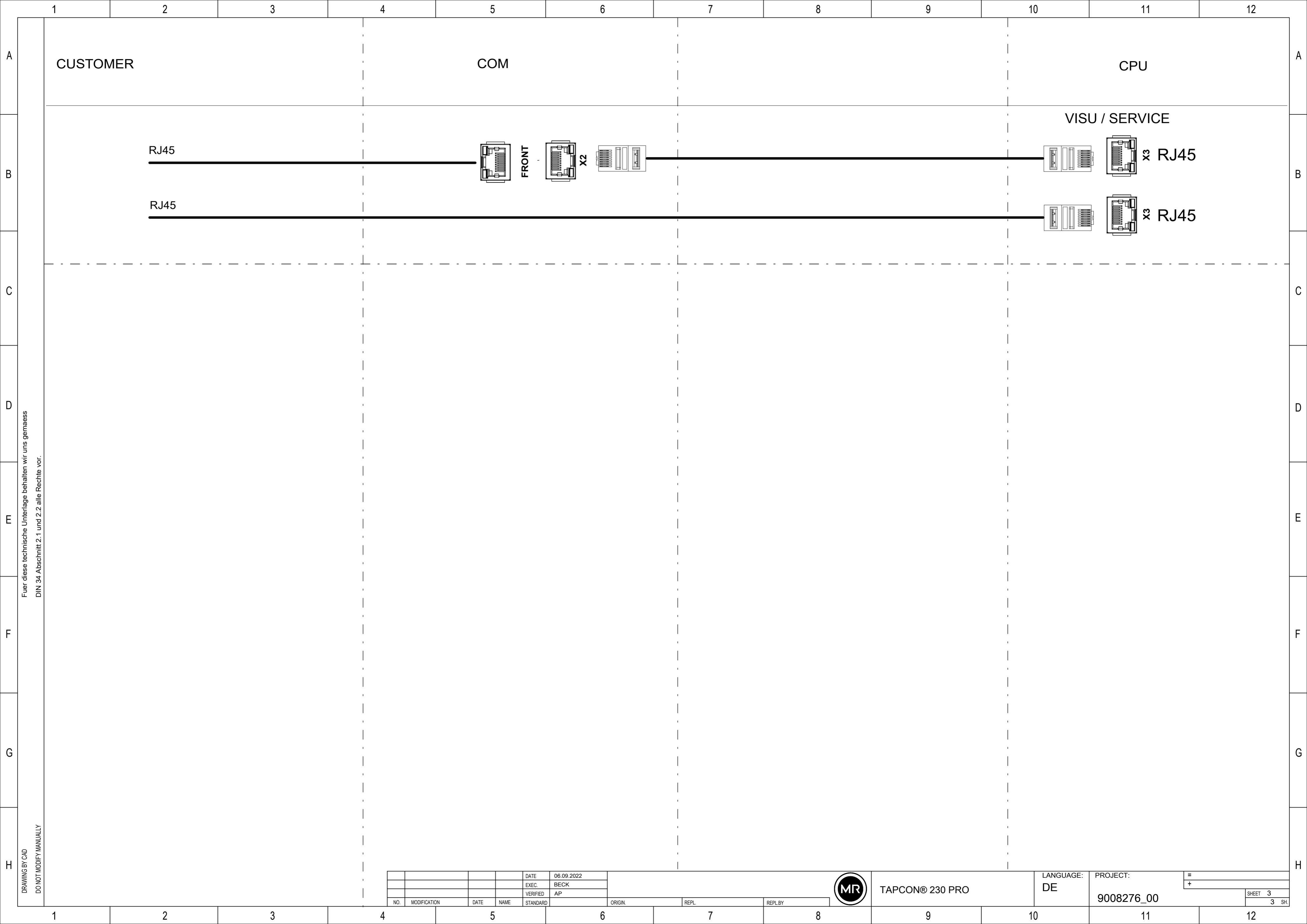


TAPCON® 230 PRO

LANGUAGE:
DE

PROJECT:
9008276_00

SHEET 2
3 SH.



Fuer diese technische Unterlage behalten wir uns gemaess
DIN 34 Abschnitt 2.1 und 2.2 alle Rechte vor.

DRAWING BY CAD
DO NOT MODIFY MANUALLY

				DATE	06.09.2022		
				EXEC.	BECK		
				VERIFIED	AP		
NO.	MODIFICATION	DATE	NAME	STANDARD	ORIGIN	REPL	REPL BY



TAPCON® 230 PRO

LANGUAGE:
DE

PROJECT:
9008276_00

=
+
SHEET 3
3 SH.

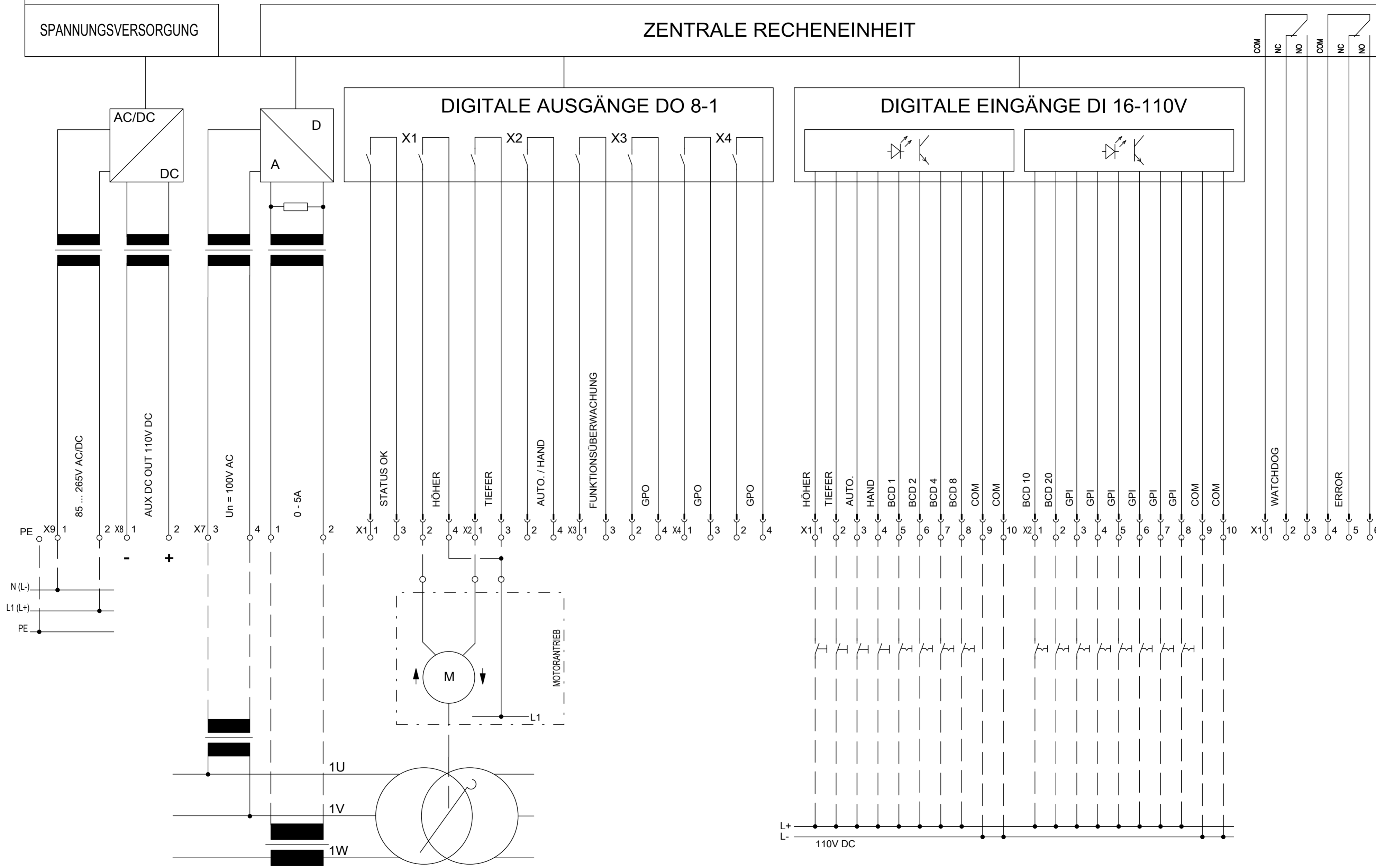
TAPCON® 230 - EXPERT

SPANNUNGSVERSORGUNG

ZENTRALE RECHENEINHEIT

DIGITALE AUSGÄNGE DO 8-1

DIGITALE EINGÄNGE DI 16-110V



Fuer diese technische Unterlage behalten wir uns gemass DIN 34 Abschnitt 2.1 und 2.2 alle Rechte vor.

DRAWING BY CAD
DO NOT MODIFY MANUALLY

02	X7,X1,X6 connection	01.10.21	Lainer	DATE	22.01.2021
01	BCD Signal	30.06.21	KAHN	EXEC.	BECK
				VERIFIED	AP
NO.	MODIFICATION	DATE	NAME	STANDARD	

ORIGIN	REPL	REPL BY



TAPCON® 230 EXPERT

LANGUAGE: DE

PROJECT: 7870270_02

=	
+	
	SHEET 1
	3 SH.

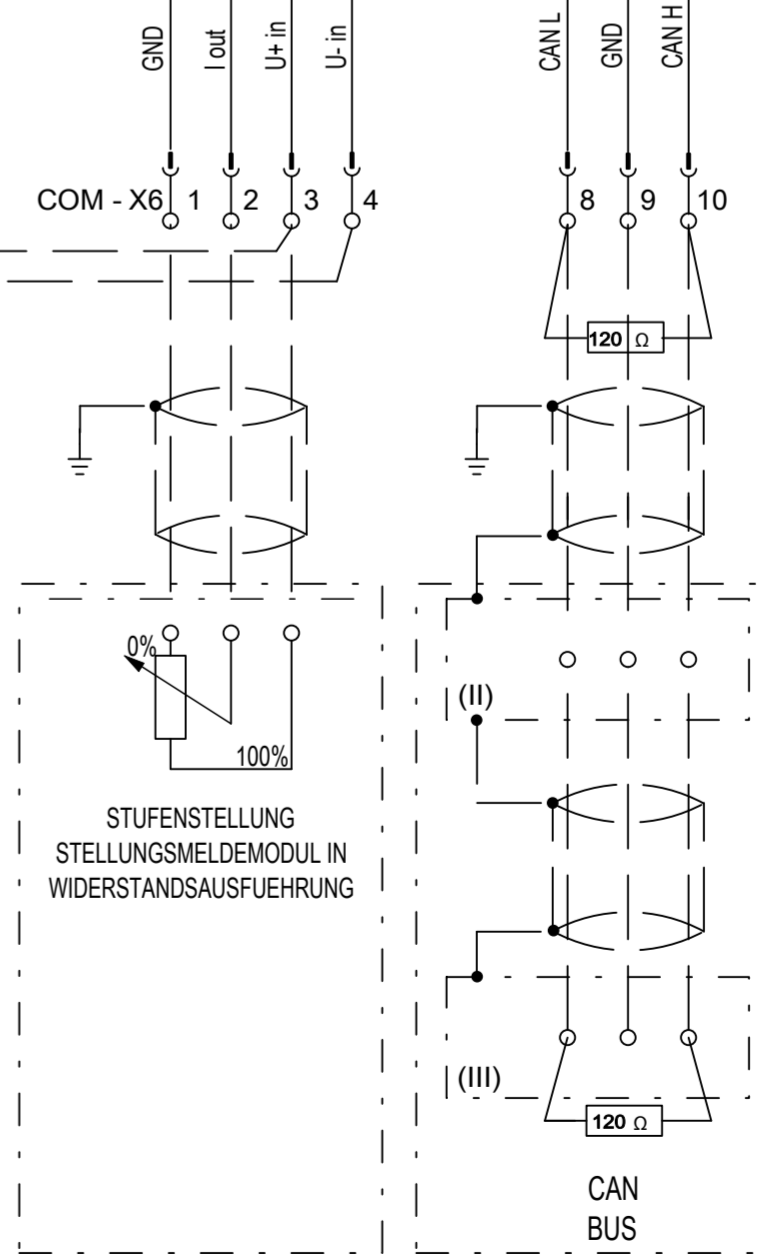
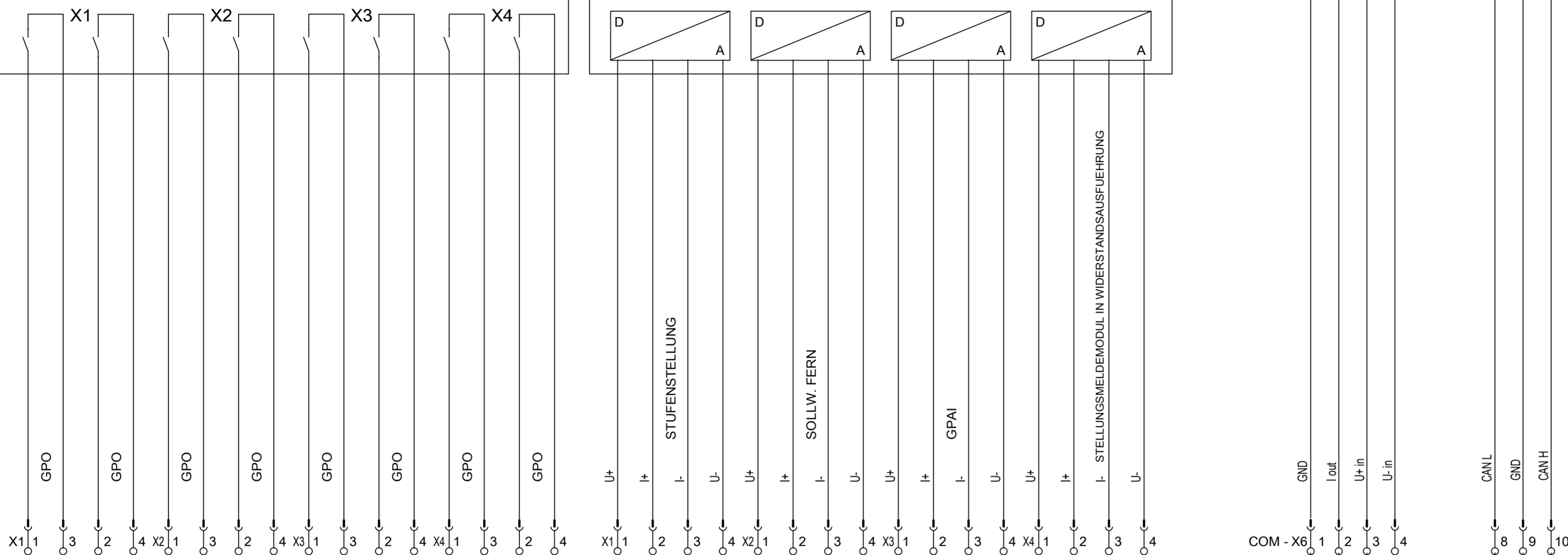
TAPCON® 230 - EXPERT

ZENTRALE RECHENEINHEIT

COM

DIGITALE AUSGÄNGE DO 8-2

ANALOGUE EINGÄNGE AI 4



Fuer diese technische Unterlage behalten wir uns gemaess DIN 34 Abschnitt 2.1 und 2.2 alle Rechte vor.

DRAWING BY CAD
DO NOT MODIFY MANUALLY

02	X7,X1,X6 connection	01.10.21	Lainer	DATE	22.01.2021
01	BCD Signal	30.06.21	KAHN	EXEC.	BECK
				VERIFIED	AP
NO.	MODIFICATION	DATE	NAME	STANDARD	ORIGIN
					REPL
					REPL BY



TAPCON® 230 EXPERT

LANGUAGE:
DE

PROJECT:
7870270_02

=	
+	
	SHEET 2
	3 SH.

CUSTOMER

COM

CPU

VISU / SERVICE

SCADA ETHERNET

SCADA SERIAL

RJ45

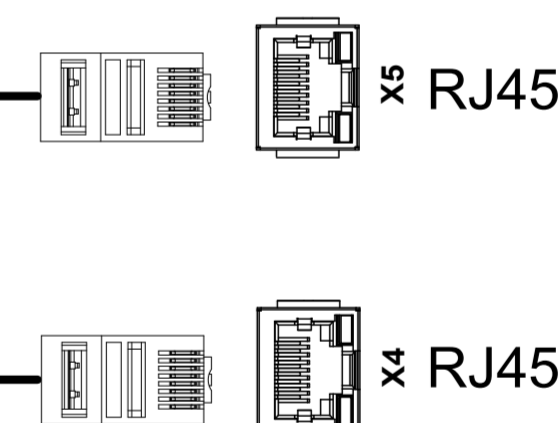
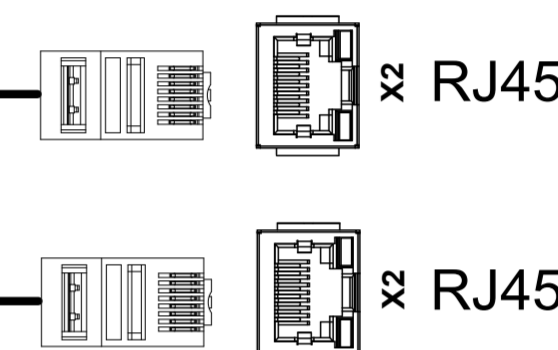
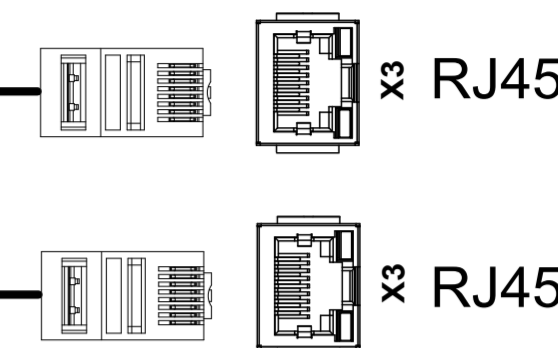
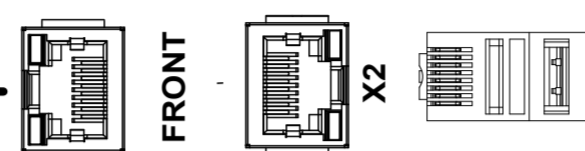
RJ45

LC 1310nm

RJ45

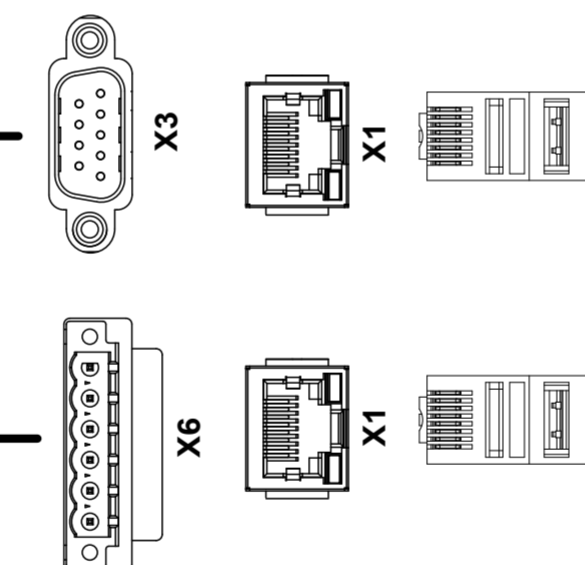
RS232

RS485



PIN	SIGNAL
2	RxD
3	TxD
5	GND

PIN	SIGNAL
5	Data -
6	GND
7	Data +



Fuer diese technische Unterlage behalten wir uns gemass DIN 34 Abschnitt 2.1 und 2.2 alle Rechte vor.

DRAWING BY CAD
DO NOT MODIFY MANUALLY

NO.	MODIFICATION	DATE	NAME	STANDARD	ORIGIN	REPL	REPL BY
02	X7,X1,X6 connection	01.10.21	Lainer				
01	BCD Signal	30.06.21	KAHN				



TAPCON® 230 EXPERT

LANGUAGE: DE	PROJECT: 7870270_02	=	
		+	
			SHEET 3
			3 SH.

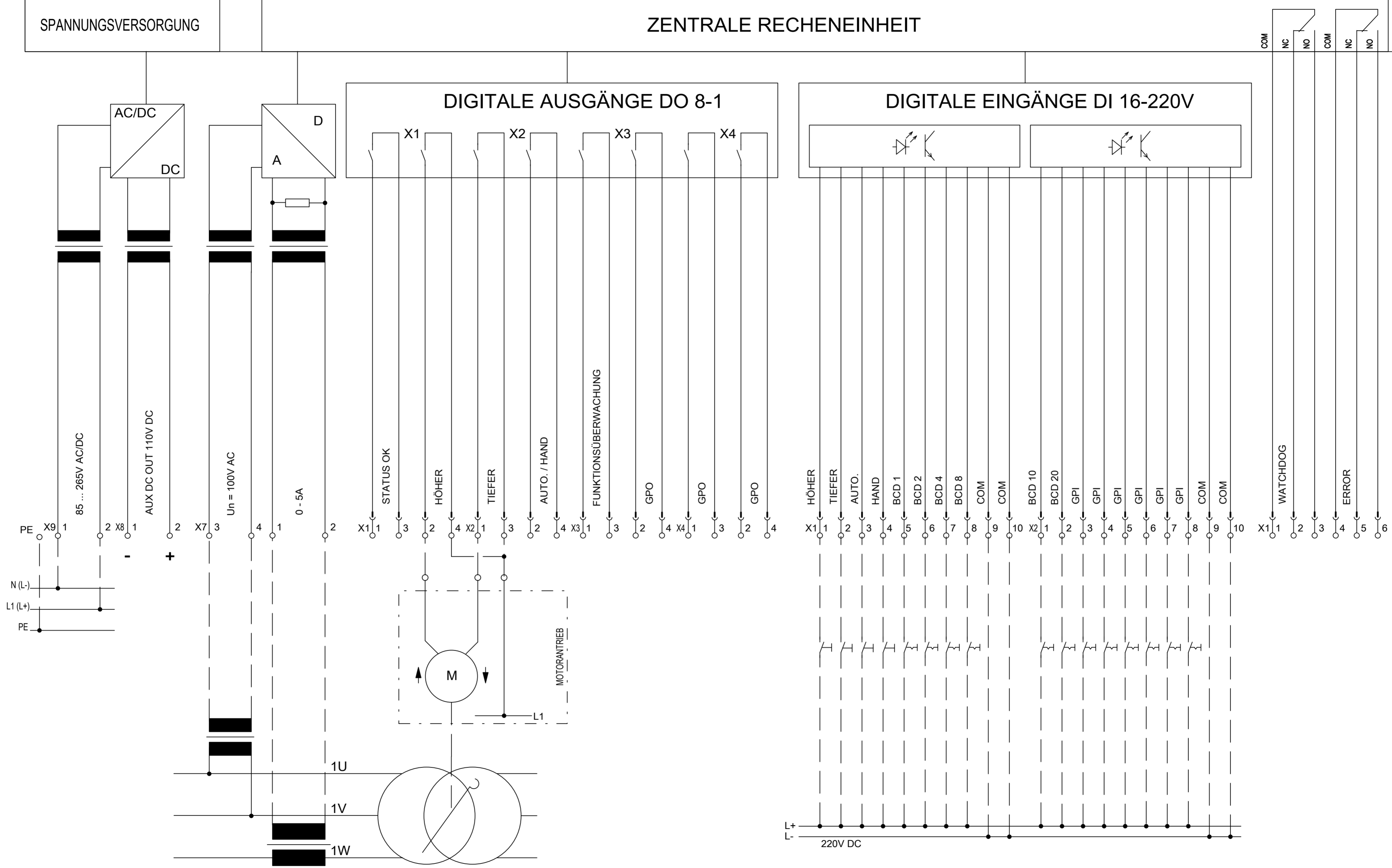
TAPCON® 230 - EXPERT

SPANNUNGSVERSORGUNG

ZENTRALE RECHENEINHEIT

DIGITALE AUSGÄNGE DO 8-1

DIGITALE EINGÄNGE DI 16-220V



Fuer diese technische Unterlage behalten wir uns gemass
DIN 34 Abschnitt 2.1 und 2.2 alle Rechte vor.

DRAWING BY CAD
DO NOT MODIFY MANUALLY

DATE	06.09.2022						
EXEC.	BECK						
VERIFIED	AP						
NO.	MODIFICATION	DATE	NAME	STANDARD	ORIGIN	REPL	REPL BY



TAPCON® 230 EXPERT

LANGUAGE:
DE

PROJECT:
9008291_00

=	
+	
SHEET 1	
3 SH.	

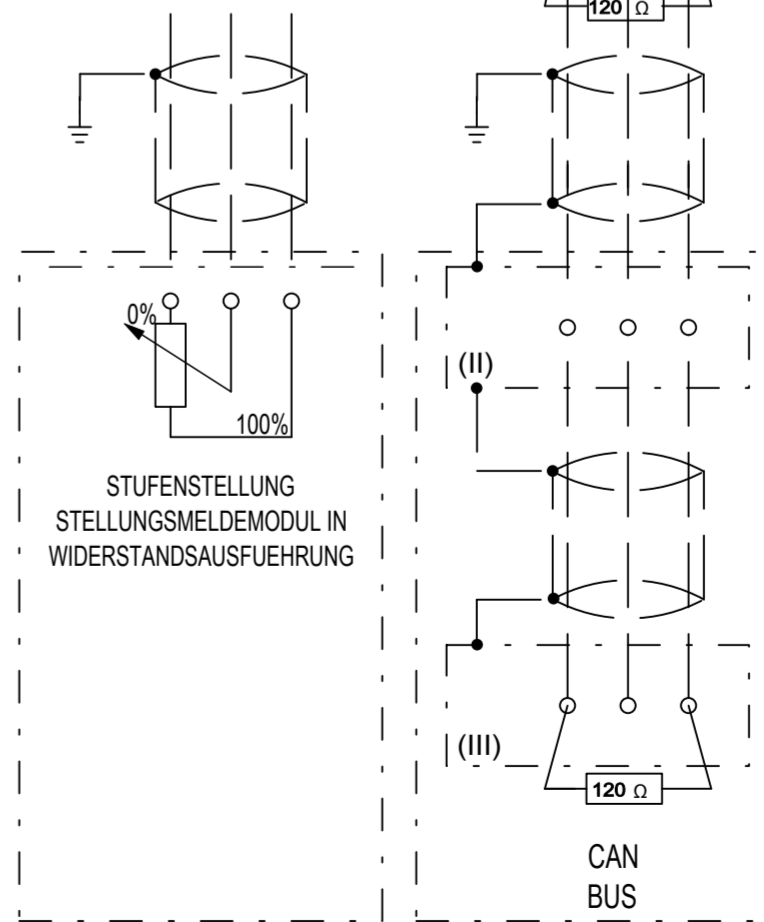
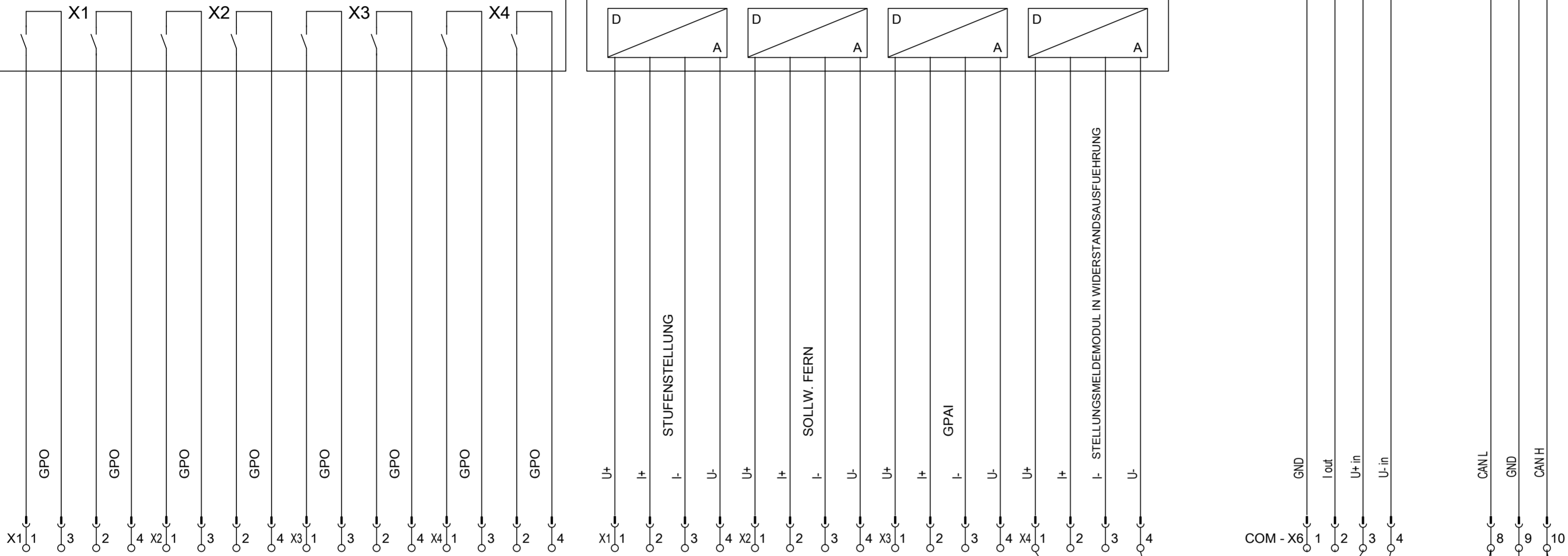
TAPCON® 230 - EXPERT

ZENTRALE RECHENEINHEIT

COM

DIGITALE AUSGÄNGE DO 8-2

ANALOGE EINGÄNGE AI 4



Fuer diese technische Unterlage behalten wir uns gemaess DIN 34 Abschnitt 2.1 und 2.2 alle Rechte vor.

DRAWING BY CAD
DO NOT MODIFY MANUALLY

NO.	MODIFICATION	DATE	NAME	STANDARD	ORIGIN	REPL	REPL BY
		06.09.2022	BECK				
			AP				



TAPCON® 230 EXPERT

LANGUAGE: DE

PROJECT: 9008291_00

SHEET 2
3 SH

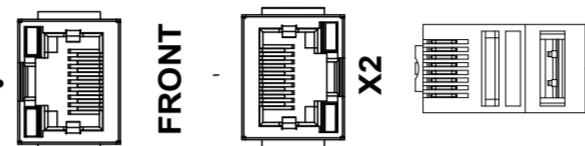
CUSTOMER

COM

CPU

RJ45

RJ45



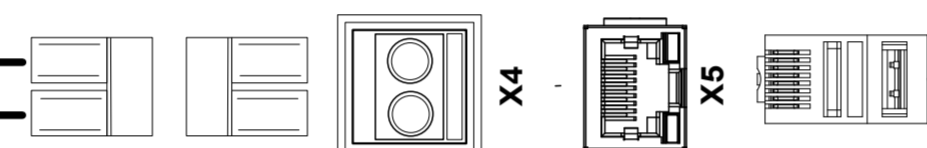
VISU / SERVICE

x3 RJ45

x3 RJ45

LC 1310nm

RJ45



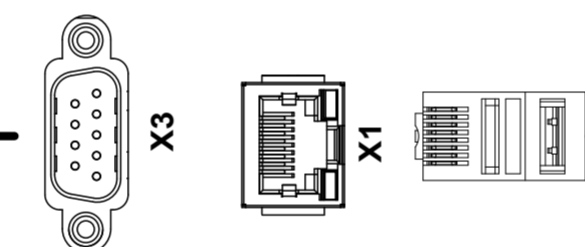
SCADA ETHERNET

x2 RJ45

x2 RJ45

PIN	SIGNAL
2	RxD
3	TxD
5	GND

RS232

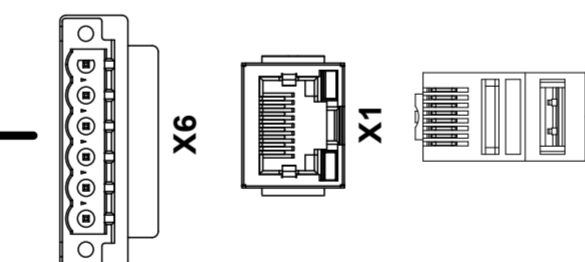


SCADA SERIAL

x5 RJ45

PIN	SIGNAL
5	Data -
6	GND
7	Data +

RS485



x4 RJ45

Fuer diese technische Unterlage behalten wir uns gemass DIN 34 Abschnitt 2.1 und 2.2 alle Rechte vor.

DRAWING BY CAD DO NOT MODIFY MANUALLY

DATE	06.09.2022						
EXEC.	BECK						
VERIFIED	AP						
NO.	MODIFICATION	DATE	NAME	STANDARD	ORIGIN	REPL	REPL BY



TAPCON® 230 EXPERT

LANGUAGE: DE

PROJECT: 9008291_00

=	
+	
SHEET	3
	3 SH.

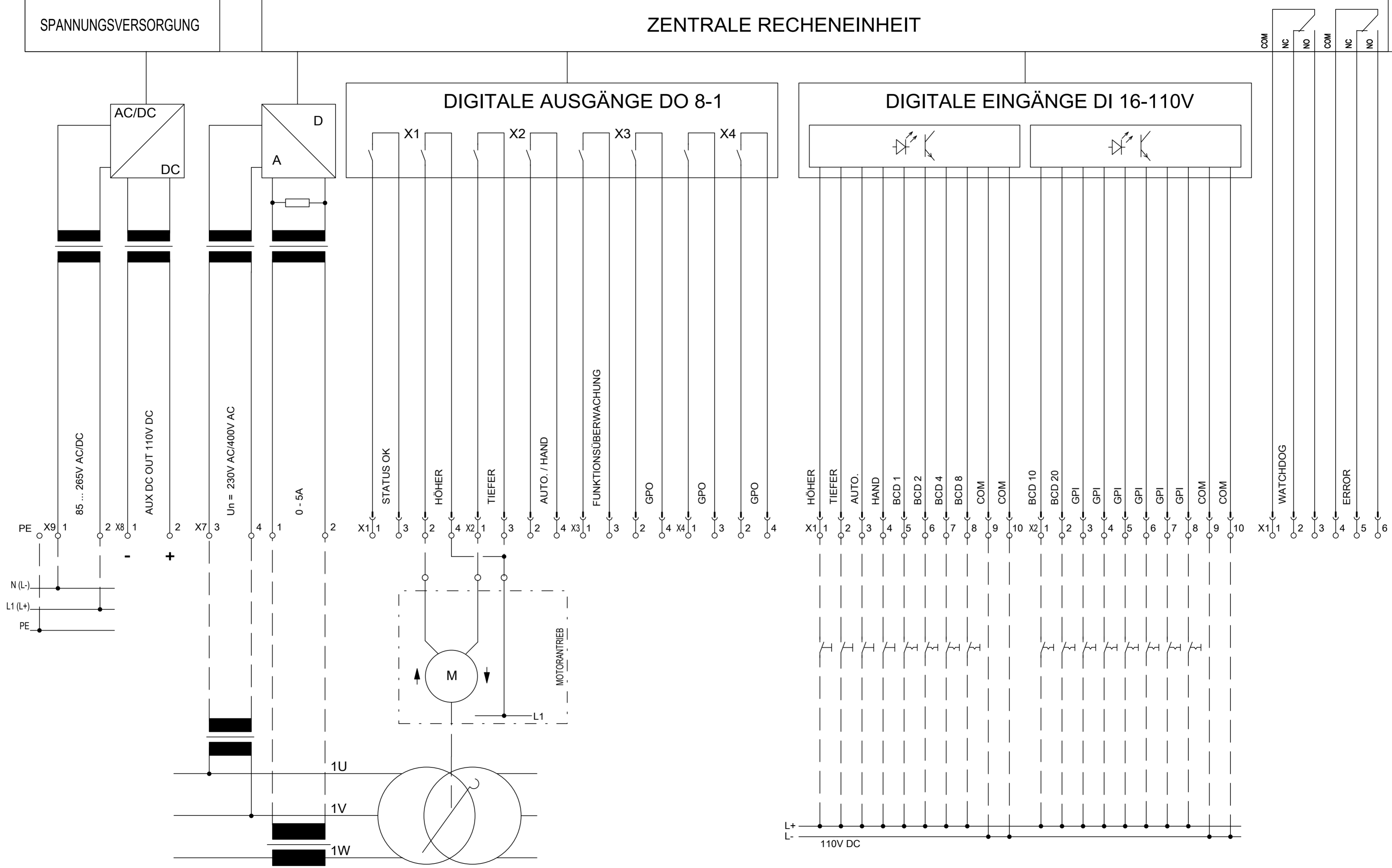
TAPCON® 230 - AVT

SPANNUNGSVERSORGUNG

ZENTRALE RECHENEINHEIT

DIGITALE AUSGÄNGE DO 8-1

DIGITALE EINGÄNGE DI 16-110V



Fuer diese technische Unterlage behalten wir uns gemass
DIN 34 Abschnitt 2.1 und 2.2 alle Rechte vor.

DRAWING BY CAD
DO NOT MODIFY MANUALLY

02	X7, X1, X6 connection	01.10.21	LAINER	DATE	22.01.2021
01	BCD SIGNAL	30.06.2021	KAHN	EXEC.	BECK
			VERIFIED	AP	
NO.	MODIFICATION	DATE	NAME	STANDARD	

ORIGIN	REPL	REPL BY
--------	------	---------



TAPCON® 230 AVT

LANGUAGE:
DE

PROJECT:
7870285_02

=	
+	
	SHEET 1
	3 SH.

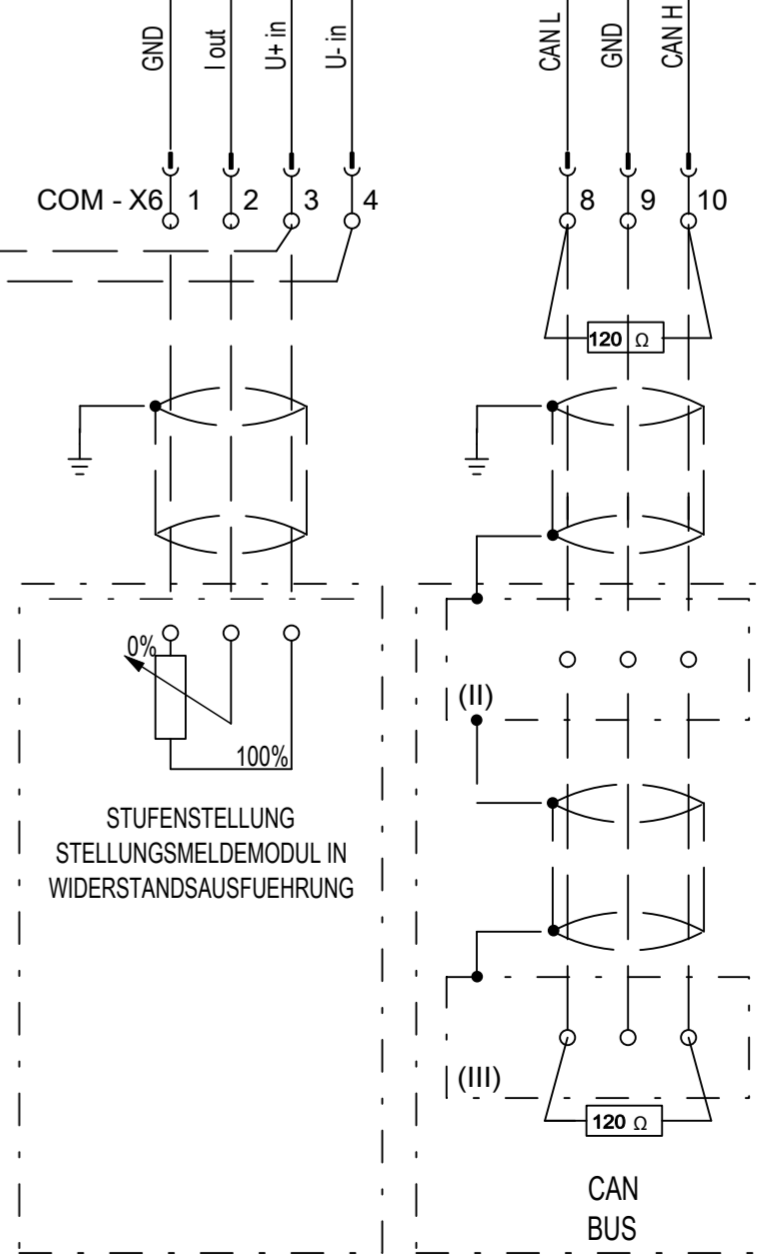
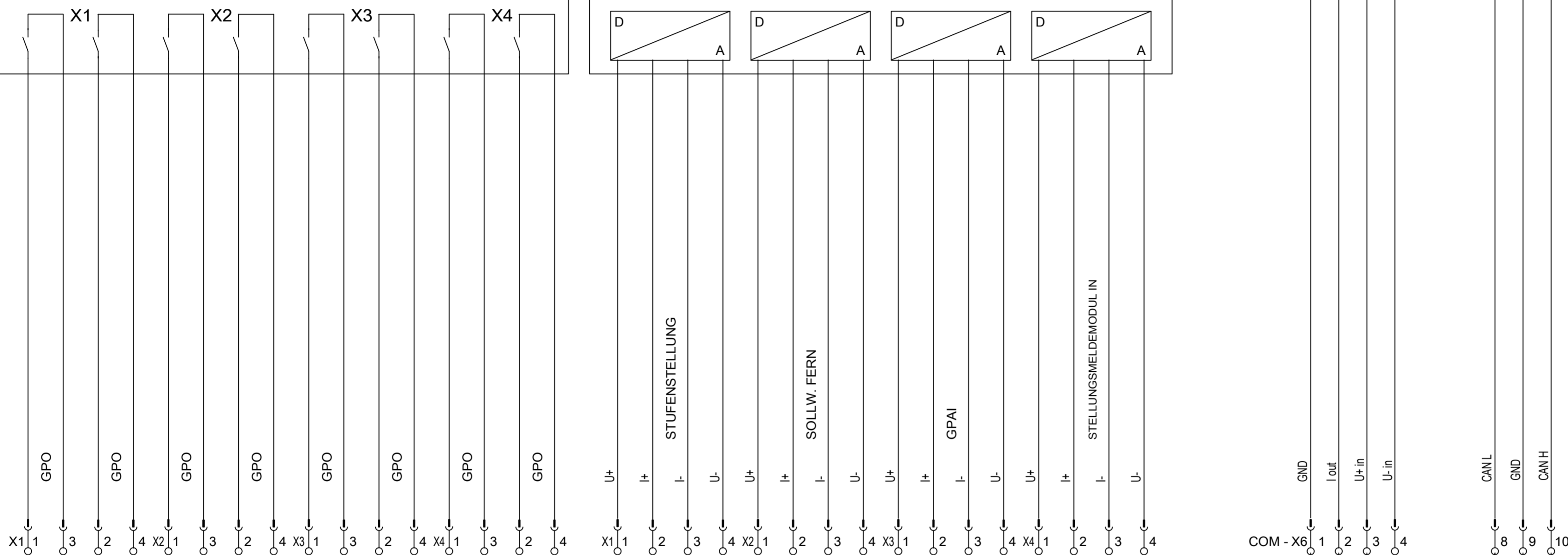
TAPCON® 230 - AVT

ZENTRALE RECHENEINHEIT

COM

DIGITALE AUSGÄNGE DO 8-2

ANALOGUE EINGÄNGE AI 4



Fuer diese technische Unterlage behalten wir uns gemass DIN 34 Abschnitt 2.1 und 2.2 alle Rechte vor.

DRAWING BY CAD
DO NOT MODIFY MANUALLY

02	X7,X1,X6 connection	01.10.21	LAINER	DATE	22.01.2021
01	BCD SIGNAL	30.06.2021	KAHN	EXEC.	BECK
				VERIFIED	AP
NO.	MODIFICATION	DATE	NAME	STANDARD	ORIGIN
					REPL
					REPL BY

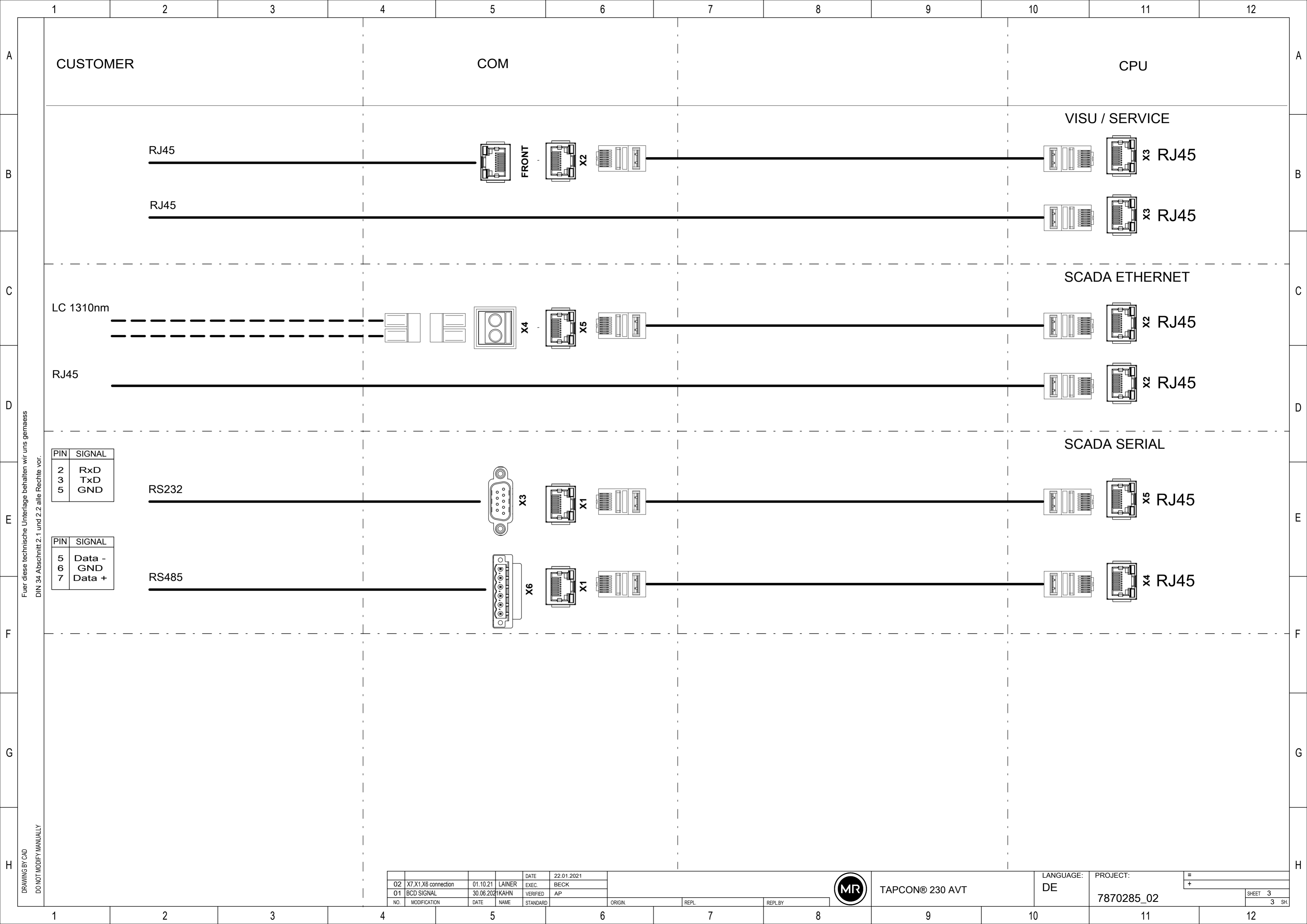


TAPCON® 230 AVT

LANGUAGE:
DE

PROJECT:
7870285_02

=	
+	
	SHEET 2
	3 SH.



Fuer diese technische Unterlage behalten wir uns gemass DIN 34 Abschnitt 2.1 und 2.2 alle Rechte vor.

PIN	SIGNAL
2	RxD
3	TxD
5	GND

PIN	SIGNAL
5	Data -
6	GND
7	Data +

DRAWING BY CAD
DO NOT MODIFY MANUALLY

02	X7,X1,X6 connection	01.10.21	LAINER	DATE	22.01.2021
01	BCD SIGNAL	30.06.2021	KAHN	EXEC.	BECK
				VERIFIED	AP
NO.	MODIFICATION	DATE	NAME	STANDARD	



TAPCON® 230 AVT

LANGUAGE:
DE

PROJECT:
7870285_02

=	
+	
SHEET	3
	3 SH.

Stichwortverzeichnis

B		G		S	
Betriebsanleitung		Gehäuse		183 SCADA	
Download	204			Anschluss	191
herunterladen	204	K			
		Kabelempfehlung	186	V	
E				Visualisierung	
Elektromagnetische Verträglichkeit		L		Verbindung	202
187		Leitsystem	191		
				W	
				Wandmontage	183

Maschinenfabrik Reinhausen GmbH

Falkensteinstrasse 8
93059 Regensburg
Germany
+49 941 4090-0
info@reinhausen.com
[reinhausen.com](https://www.reinhausen.com)

Please note:
The data in our publications may differ from the data of the devices delivered.
We reserve the right to make changes without notice.
7820658/06 - TAPCON® 230 Installation Instructions -
01/24
Maschinenfabrik Reinhausen GmbH 2024

THE POWER BEHIND POWER.



Instructions de montage TAPCON[®] 230. Régulateur de tension

7820658/06



© Tous droits réservés à la société Maschinenfabrik Reinhausen

La transmission et la reproduction du présent document, l'exploitation et la communication de son contenu sont interdites sauf autorisation expresse.

Tout manquement expose son auteur au versement de dommages et intérêts. Tous droits réservés pour le cas de la délivrance d'un brevet, d'un modèle d'utilité ou d'un modèle de présentation.

Des modifications ont pu intervenir sur le produit depuis la clôture de la rédaction de la présente documentation.

Sous réserve expresse de modifications des caractéristiques techniques, de la conception ainsi que du contenu de la livraison.

Les informations transmises et les accords convenus lors du traitement des offres et commandes respectives doivent toujours être pris en compte.

Le produit est livré conformément à la spécification technique de MR, basée sur les indications du client. Le client se doit de garantir la compatibilité du produit avec le champ d'application prévu par le client.

Les instructions de service d'origine sont libellées en allemand.

Sommaire

1 Introduction	246	6 Premières étapes	281
1.1 Fabricant	246	6.1 Établissement d'une connexion à la visualisation	281
1.2 Intégralité.....	246	6.2 Réglage de la langue	282
1.3 Lieu de stockage	246	6.3 Téléchargement des instructions de service	283
2 Sécurité.....	247	7 Dépannage	284
2.1 Utilisation conforme à l'emploi prévu	247	7.1 Défauts généraux.....	284
2.2 Utilisation non conforme à l'emploi prévu.....	248	7.2 Interface homme-machine	284
2.3 Consignes de sécurité fondamentales.....	248	7.3 Autres défauts	284
2.4 Qualification du personnel	250	8 Caractéristiques techniques	286
2.5 Équipement de protection individuelle	250	8.1 Éléments d'affichage	286
3 Sécurité IT.....	252	8.2 Matériaux	286
3.1 Généralités.....	252	8.3 Dimensions	286
4 Description du produit	253	8.4 Alimentation électrique.....	286
4.1 Description fonctionnelle de la régulation de la tension.....	253	8.5 Mesure de la tension et mesure du courant	287
4.2 Contenu de la livraison	254	8.6 Unité de calcul centrale	288
4.3 Structure	254	8.7 Entrées numériques	290
4.3.1 Affichage, éléments de commande et interface frontale.....	254	8.8 Sorties numériques	291
4.3.2 DEL	255	8.9 Entrées analogiques.....	293
4.3.3 Raccordements et fusibles.....	256	8.10 Interfaces de communication	294
4.3.4 Plaque signalétique	257	8.11 Saisie de la position de prise/Rangée de contacts potentiométrique	296
4.3.5 Indications de sécurité.....	258	8.12 Conditions ambiantes	296
4.3.6 Schéma de raccordement et vis de mise à la terre	258	8.13 Normes et directives	297
4.3.7 Visualisation	258	8.14 Schémas de raccordement.....	298
5 Montage.....	260	TAPCON® 230 Basic (DI 16-110 V)	299
5.1 Préparatifs	260	TAPCON® 230 Basic (DI 16-220 V).....	301
5.2 Distances minimales	260	TAPCON® 230 Pro (DI 16-110 V)	303
5.3 Variantes de montage.....	261	TAPCON® 230 Pro (DI 16-220 V).....	306
5.3.1 Montage encastré.....	261	TAPCON® 230 Expert (DI 16-110 V)	309
5.3.2 Montage mural avec boîtier (en option).....	263	TAPCON® 230 Expert (DI 16-220 V).....	312
5.4 Raccordement de l'appareil.....	266	TAPCON® 230 AVT	315
5.4.1 Câbles recommandés	266	Index.....	318
5.4.2 Compatibilité électromagnétique	267		
5.4.3 Raccorder les câbles aux périphériques.....	269		
5.4.4 Raccordement du bus CAN	269		
5.4.5 Raccordement SCADA	271		
5.4.6 Câblage de la mesure de la tension/du courant UI	275		
5.4.7 Câblage des entrées analogiques AI	276		
5.4.8 Câblage des entrées numériques DI 16-110 V	276		
5.4.9 Câblage des entrées numériques DI 16-220 V	277		
5.4.10 Câblage des sorties numériques DO	277		
5.4.11 Câblage de la rangée de contacts potentiométrique.....	277		
5.4.12 Alimentation électrique et mise à la terre	277		
5.5 Effectuer les contrôles	280		

1 Introduction

La présente documentation technique contient les consignes détaillées pour le montage, le raccordement, la mise en service et la surveillance en toute sécurité et adéquats du produit.

Elle contient également les consignes de sécurité ainsi que les informations générales sur le produit.

La présente documentation technique s'adresse exclusivement au personnel spécialement formé et autorisé.

1.1 Fabricant

Maschinenfabrik Reinhausen GmbH
Falkensteinstrasse 8
93059 Regensburg
Allemagne
+49 941 4090-0
sales@reinhausen.com
reinhausen.com

Portail client de MR Reinhausen: <https://portal.reinhausen.com>

De plus amples informations relatives au produit et aux éditions de la présente documentation technique sont disponibles à cette adresse.

1.2 Intégralité

La présente documentation technique n'est complète qu'en combinaison avec les documents afférents suivants :

- Schémas de raccordement
- Instructions de service
 - Disponible en téléchargement sur l'appareil
 - Disponible en téléchargement à l'adresse www.reinhausen.com
 - Disponible en téléchargement dans le portail client MR <https://portal.reinhausen.com>

1.3 Lieu de stockage

Conservez la présente documentation technique, ainsi que tous les documents afférents, à portée de main et accessibles à tout moment pour une utilisation ultérieure. Téléchargez les instructions de service depuis l'appareil. Les instructions de service sont également disponibles sur le site web de la Maschinenfabrik Reinhausen GmbH ou dans le portail client MR.

2 Sécurité

- Lisez cette documentation technique dans son intégralité pour vous familiariser avec le produit.
- La présente documentation technique fait partie du produit.
- Imprimez le document téléchargé, ou enregistrez-le sur un support de données toujours à portée de main et accessible à tout moment.
- Lisez et observez les consignes de sécurité données dans ce chapitre.
- Lisez et observez les avertissements donnés dans cette documentation technique pour éviter tout danger fonctionnel.
- Ce produit a été fabriqué selon l'état actuel de la technique. Néanmoins, il n'est pas possible d'exclure entièrement des risques pour l'intégrité corporelle et la vie de l'utilisateur, ni de préjudices au produit et autres dommages matériels en cas d'utilisation non conforme à l'emploi prévu.

2.1 Utilisation conforme à l'emploi prévu

L'appareil sert à maintenir constante la tension de sortie d'un transformateur avec changeur de prises en charge. Le produit est exclusivement prévu pour une utilisation dans les grandes installations stationnaires et les équipements d'énergie électrique.

S'il est utilisé conformément à l'usage prévu et si les conditions contenues dans la présente documentation technique, ainsi que les avertissements contenus dans la présente documentation technique et inscrits sur le produit sont respectés, celui-ci ne présente aucun risque pour les personnes, les biens matériels et l'environnement. Cela est valable pour toute la durée de vie, depuis la livraison jusqu'au démontage et l'élimination, en passant par le montage et l'exploitation.

L'utilisation est conforme à l'usage prévu dans les cas suivants :

- Vous trouverez la norme en vigueur pour le produit, y compris l'année d'édition, sur la plaque signalétique.
- Vous utilisez le produit conformément à la présente documentation technique, aux conditions de livraison convenues et aux caractéristiques techniques.
- Vous vous assurez que tous les travaux nécessaires sont effectués exclusivement par un personnel qualifié.
- Vous utilisez les dispositifs et les outils spéciaux accompagnant le produit exclusivement aux fins prévues et conformément aux stipulations de la présente documentation technique.
- Vous utilisez le produit exclusivement dans les zones industrielles.
- Observez les consignes contenues dans la présente documentation technique concernant la compatibilité électromagnétique et les caractéristiques techniques.
- Le produit est prévu pour être monté. Assurez-vous que toutes les mesures de prévention d'incendies et de protection contre une décharge électrique sont prises.
- Veillez à ce que la résistance aux contraintes mécaniques soit donnée.

2.2 Utilisation non conforme à l'emploi prévu

Une utilisation non conforme à l'emploi prévu consisterait à utiliser le produit d'une manière contraire à la description contenue dans la section Utilisation conforme à l'emploi prévu . Observez également les points suivants :

- Le produit n'est pas un appareil de protection. Ne l'utilisez pas pour reproduire les fonctions de sécurité.
- N'utilisez pas le produit en atmosphères explosives.

2.3 Consignes de sécurité fondamentales

Le responsable du transport, du montage, de l'exploitation, de la maintenance et de l'élimination du produit ou de pièces du produit est tenu de garantir les points suivants afin de prévenir les accidents, les dérangements et les avaries et de protéger l'environnement :

Équipement de protection individuelle

Des vêtements amples ou inappropriés augmentent le risque de happement ou d'entraînement par les pièces en rotation et le risque de coincement dans les pièces en saillie. Il existe donc un danger pour l'intégrité corporelle et la vie de l'utilisateur.

- Portez un équipement de protection individuelle, comme un casque, des chaussures de travail etc. pour exécuter la tâche correspondante.
- Ne portez jamais d'équipement de protection individuelle défectueux.
- Ne portez jamais de bagues, chaînes ni autres bijoux.
- Portez une résille si vous avez des cheveux longs.

Espace de travail

Les espaces de travail non rangés et non éclairés comportent un risque d'accident.

- Veillez à ce que l'espace de travail soit propre et ordonné.
- Assurez-vous que l'espace de travail est bien éclairé.
- Respectez les lois nationales en vigueur concernant la prévention des accidents.

Travaux lors de l'exploitation

N'utilisez le produit que si celui-ci est en parfait état de fonctionnement. Dans le cas contraire, il y a danger pour l'intégrité corporelle et la vie de l'utilisateur.

- Contrôlez régulièrement le bon fonctionnement des dispositifs de sécurité.
- Observez les travaux d'inspection et d'entretien, ainsi que les intervalles d'entretien, décrits dans la présente documentation technique.

Rayonnement laser invisible

Évitez de regarder directement dans le rayon réfléchissant afin d'éviter le risque de lésions oculaires. Le rayon sort au niveau des raccordements optiques ou à l'extrémité des fibres optiques de modules qui y sont raccordées. Lisez également le chapitre « Caractéristiques techniques à ce sujet » [► Section 8, Page 286].

- Ne regardez jamais directement dans le rayon réfléchissant.
- Ne regardez jamais dans le rayon avec des instruments optiques comme p. ex. une loupe ou un microscope.
- Si le rayonnement laser atteint l'œil, fermez les yeux et éloignez immédiatement la tête du rayon.

Manipulation des transformateurs d'intensité

Un transformateur d'intensité fonctionnant avec un circuit secondaire ouvert peut générer des tensions élevées dangereuses et entraîner des blessures et des dégâts matériels.

- N'exploitez jamais le transformateur d'intensité lorsque le circuit secondaire est ouvert, d'où la nécessité de le court-circuiter.
- Observez les consignes contenues dans les instructions de service du transformateur d'intensité.

Manipulation des composants électriques

Les composants électriques peuvent être endommagés par les décharges électrostatiques.

- Ne jamais toucher des composants électriques pendant la mise en service, le fonctionnement ou lors de travaux de maintenance.
- Assurez-vous par le biais de mesures appropriées (par ex. recouvrement) que les composants de l'appareil ne puissent pas être touchés par le personnel.
- Porter un équipement de protection individuelle adéquat.

Protection contre les explosions

Les gaz, vapeurs et poussières facilement inflammables ou explosifs peuvent entraîner des explosions graves et des incendies.

- Ne montez pas et n'utilisez pas le produit dans des atmosphères explosives.

Indications de sécurité

Les panneaux d'avertissement et de sécurité sont apposés sur le produit comme indications de sécurité. Ils constituent un élément important du concept de sécurité.

- Observez toutes les indications de sécurité apposées sur le produit.
- Veillez à ce que toutes les indications de sécurité sur le produit soient intégrales et lisibles.
- Remplacez les indications de sécurité endommagées ou détachées.

Conditions ambiantes

Afin de garantir un fonctionnement fiable et sûr du produit, utilisez celui-ci uniquement dans les conditions ambiantes indiquées dans la partie Caractéristiques techniques.

- Respectez les conditions de fonctionnement et les exigences sur le lieu d'implantation.

Modifications et transformations

Les modifications non autorisées ou inadéquates du produit sont susceptibles de causer des dommages corporels et matériels ou d'entraîner des dysfonctionnements.

- N'effectuez des modifications du produit qu'après concertation avec la société Maschinenfabrik Reinhausen GmbH.

Pièces de rechange

Les pièces de rechange non autorisées par la société Maschinenfabrik Reinhausen GmbH peuvent entraîner des dommages corporels et matériels, ainsi que des dysfonctionnements du produit.

- Utilisez exclusivement les pièces de rechange autorisées par Maschinenfabrik Reinhausen GmbH.
- Contactez la société Maschinenfabrik Reinhausen GmbH.

2.4 Qualification du personnel

La personne responsable du montage, de la mise en service, de la commande, de la maintenance et de l'inspection doit s'assurer que le personnel est suffisamment qualifié.

Électricien

L'électricien a suivi une formation spécialisée qui lui confère les connaissances et les expériences requises, ainsi que la connaissance des normes et dispositions en vigueur. Qui plus est, il dispose des aptitudes suivantes :

- L'électricien identifie par lui-même les risques potentiels et est en mesure de les éviter.
- L'électricien est en mesure d'exécuter des travaux sur les installations électriques.
- L'électricien est spécialement formé pour l'environnement de travail qui est le sien.
- L'électricien doit respecter les dispositions des prescriptions légales en vigueur en matière de prévention des accidents.

Personnes initiées à l'électrotechnique

Une personne initiée à l'électrotechnique a été informée par l'électricien et a appris de celui-ci les tâches qui lui sont confiées, et les risques potentiels dûs à un comportement inapproprié, ainsi que les dispositifs de protection et les mesures de protection. La personne initiée à l'électrotechnique travaille exclusivement sous la direction et la surveillance d'un électricien.

Opérateur

L'opérateur utilise et commande le produit dans le cadre de la présente documentation technique. Il reçoit un apprentissage et une formation par l'exploitant sur les tâches spéciales et les risques qu'elles peuvent comporter en cas de comportement inapproprié.

Service technique

Nous recommandons vivement de faire effectuer les travaux de maintenance, de réparation et de rétrofit par notre service technique qui saura garantir une exécution conforme de tous les travaux. Si une maintenance n'est pas effectuée par notre service technique, il faut s'assurer que le personnel a été formé et autorisé par Maschinenfabrik Reinhausen GmbH.

Personnel autorisé

Le personnel autorisé est formé par la société Maschinenfabrik Reinhausen GmbH pour effectuer les maintenances spéciales.

2.5 Équipement de protection individuelle

Le port d'équipements de protection individuelle pendant le travail est indispensable dans le but de minimiser les risques pour la santé.

- Portez toujours les équipements de protection requis pour chaque cas pendant le travail.
- Ne portez jamais un équipement de protection défectueux.
- Observez les indications relatives aux équipements de protection individuelle affichées dans la zone de travail.

Vêtements de protection au travail	Vêtements de travail ajustés et peu résistants, avec manches étroites et sans pièces saillantes. Ils protègent essentiellement contre un happement par les pièces mobiles de la machine.
Chaussures de sécurité	Protègent en cas de chute de pièces lourdes et de risques de glissade.
Lunettes de protection	Protègent les yeux contre les pièces mobiles et les projections de liquides.
Visière protège-visage	Protège le visage contre les pièces mobiles et les projections de liquides ou autres substances dangereuses.
Casque de protection	Protège contre la chute et la projection de pièces et matériaux.
Casque anti-bruits	Protège contre les pertes auditives.
Gants de protection	Protègent contre les risques mécaniques, thermiques et électriques.

Tableau 1: Équipement de protection individuelle

3 Sécurité IT

Veillez observer les recommandations ci-après afin de garantir un fonctionnement en toute sécurité du produit.

3.1 Généralités

- Assurez-vous que seules les personnes autorisées ont accès à l'appareil.
- Utilisez l'appareil uniquement dans un périmètre de sécurité électronique (ESP – electronic security perimeter). Établissez toujours une connexion sécurisée à Internet. Utilisez les mécanismes de segmentation de réseau verticale et horizontale et les passerelles de sécurité (pare-feux) aux points de transition.
- Assurez-vous que l'appareil est utilisé exclusivement par un personnel formé sensibilisé aux thèmes afférents à la sécurité IT.
- Vérifiez régulièrement si les mises à jour logicielles pour l'appareil sont disponibles et effectuez les mises à jour.

4 Description du produit

4.1 Description fonctionnelle de la régulation de la tension

L'appareil sert à maintenir constante la tension de sortie d'un transformateur avec changeur de prises en charge.

L'appareil compare la tension de mesure du transformateur $U_{Réelle}$ à une tension de consigne définie $U_{Consigne}$. La différence entre $U_{Réelle}$ et $U_{Consigne}$ représente l'écart de tension dU .

Les paramètres de l'appareil peuvent être adaptés de manière optimale au comportement de la tension du réseau, de sorte à obtenir un comportement de régulation équilibré en exécutant un nombre de manœuvres réduit du changeur de prises en charge.

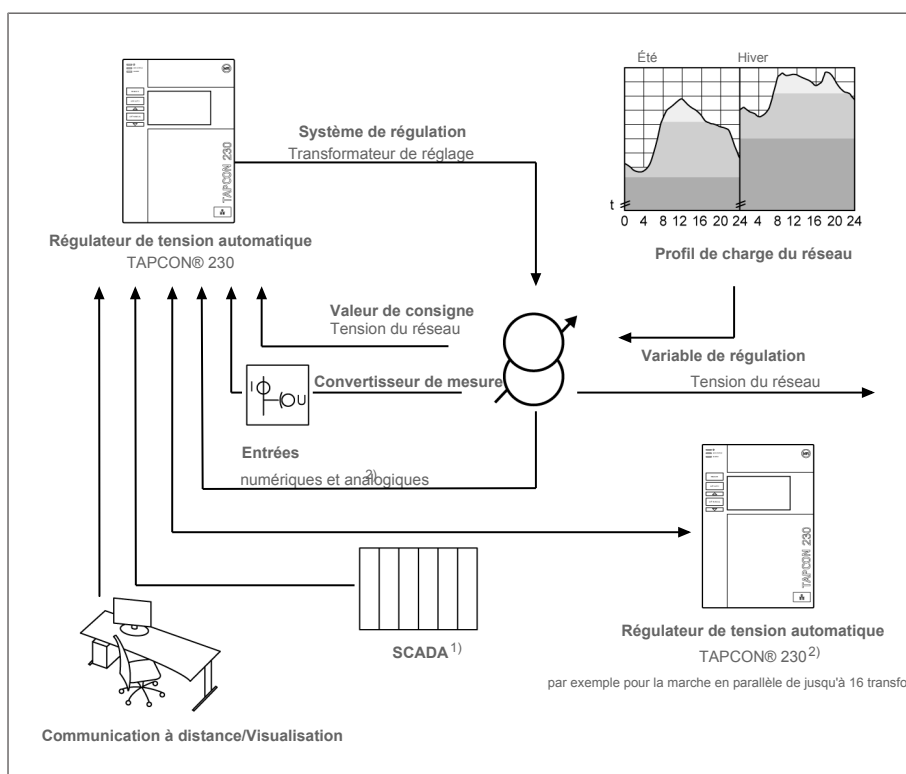


Figure 1: Aperçu de la régulation de la tension

¹⁾ Seulement pour les variantes TAPCON® 230 Expert et AVT.

²⁾ Seulement pour les variantes TAPCON® 230 Pro, Expert et AVT.

4.2 Contenu de la livraison

Vérifiez l'intégralité de la livraison en vous basant sur les documents d'expédition.

- Régulateur de tension
- Câble patch RJ45
- Colliers de blindage
- Connecteur enfichable
- Clips
- Documentation technique
- Plaque signalétique additionnelle
- Résistance de terminaison du bus CAN
- Résistance de terminaison du bus RS485

En option

- Boîtier pour montage mural
- Selon le type d'appareil :
 - Ethernet vers convertisseur FO(module SFP)
 - série vers convertisseur FO

4.3 Structure

4.3.1 Affichage, éléments de commande et interface frontale

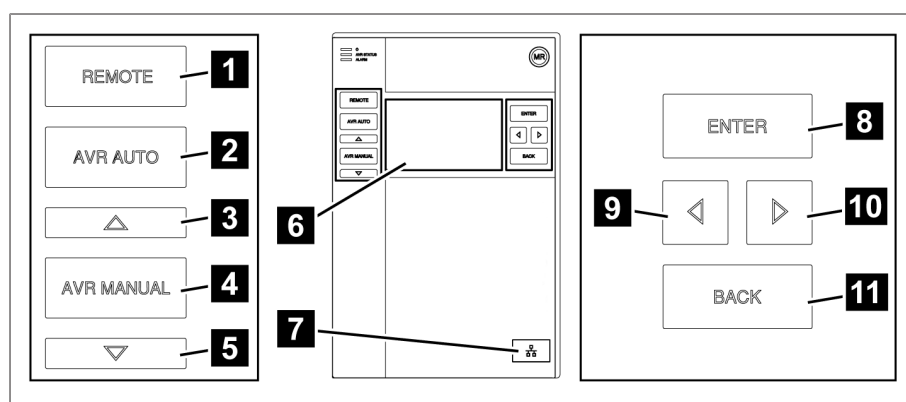


Figure 2: Régulateur de tension

1	Touche À DISTANCE ³¹	Activer le mode de fonctionnement À DISTANCE
2	Touche AUTO	Activer le mode de fonctionnement AUTO
3	Touche AUGMENTER ³²	Envoyer une instruction de commande au mécanisme d'entraînement pour augmenter la tension.
4	Touche MANUAL	Activer le mode de fonctionnement MANUAL
5	Touche DIMINUER ³²	Envoyer une instruction de commande au mécanisme d'entraînement pour diminuer la tension.

³¹ Touche sans fonction lorsque le passage de LOCAL à À DISTANCE est effectué via une entrée numérique.

³² Possible uniquement en mode manuel.

6	Affichage	-
7	Interface frontale	Interface Ethernet RJ45
8	Touche ENTER	Confirmer la sélection/Enregistrer les paramètres modifiés
9	CURSEUR à gauche	Navigation à gauche dans le menu
10	CURSEUR à droite	Navigation à droite dans le menu
11	Touche BACK	Quitter le menu actuel. Retourner au niveau de menu précédent

4.3.2 DEL

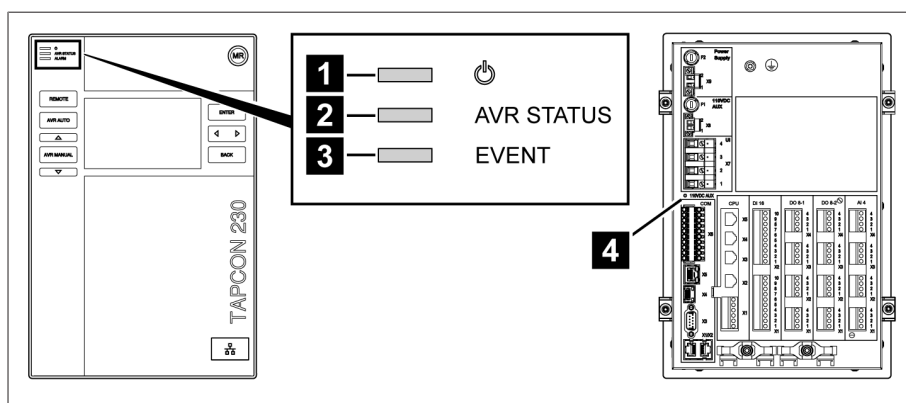


Figure 3: DEL

1	DEL Alimentation électrique	Bleu	Est allumée lorsque l'appareil est alimenté en électricité.
2	DEL AVR STATUS	Rouge	Est allumée lorsque l'appareil est dans un état d'erreur.
		Jaune	Est allumée lorsque l'appareil démarre ou a été arrêté, par ex. pour une mise à jour du logiciel.
		Bleu	Est allumée lorsque l'appareil est en état de service.
3	DEL ALARM	Rouge	Est allumée dès qu'un événement Rouge est présent.
		Jaune	Est allumée dès qu'un événement Jaune est présent.
		Bleu	Est allumée lorsqu'aucun événement n'est présent ou lorsqu'un événement Gris est présent.
4	DEL X8 sortie 110V CC	Jaune	Est allumée lorsque la sortie 110V CC est active.

4.3.3 Raccordements et fusibles

Les raccordements sont installés sur la face arrière de l'appareil. Vous trouverez de plus amples informations sur les raccordements dans la section Caractéristiques techniques [► Section 8, Page 286].

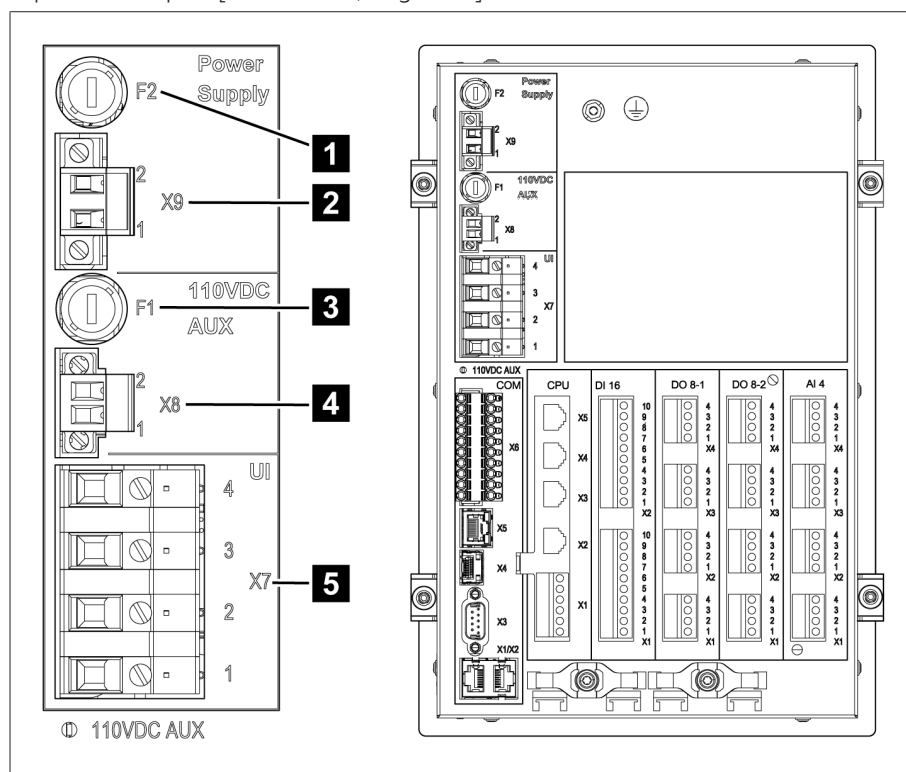


Figure 4: Face arrière

1	F2	Fusible interne pour l'alimentation électrique	2	X9	Alimentation en tension
3	F1	Fusible interne pour la source d'alimentation auxiliaire 110V CC ³³	4	X8	Source d'alimentation auxiliaire 110V CC AUX ³³
5	X7	Mesure de la tension/Mesure du courant			

³³ Peut être utilisée pour les appareils avec DI 16-110V pour l'alimentation des entrées numériques. Vérifiez la variante qui est la vôtre sur la base de la désignation de borne de raccordement au dos de l'appareil.

Raccordements et bornes

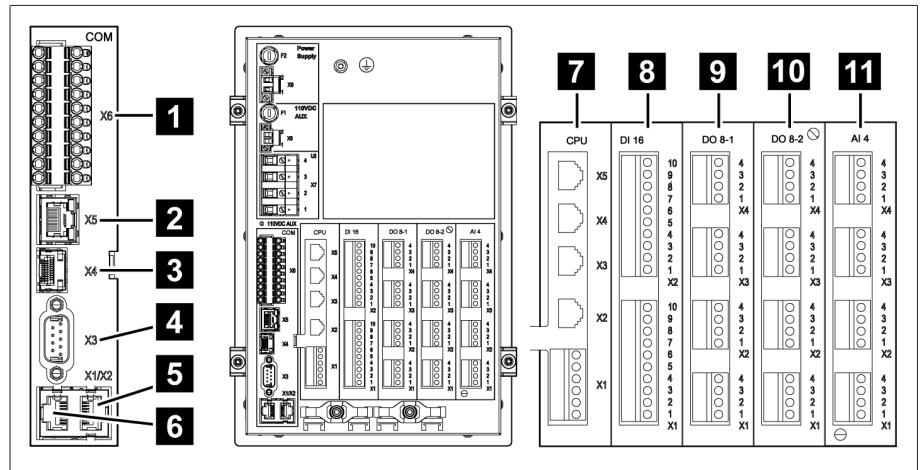


Figure 5: Raccordements/Bornes

1	COM-X6	Bus CAN ³⁴ /Interface SCADA RS485 ³⁵ /Rangée de contacts potentiométrique	2	COM-X5	Interface pour câble patch pour SCADA via fibre optique
3	COM-X4	Fibre optique ³⁵ (boîtier SFP pour le module SFP)	4	COM-X3	Interface SCADA RS232 ³⁵
5	COM-X2	Interface de visualisation via l'interface frontale	6	COM-X1	Interface pour câble patch pour RS232 ou RS485
7	CPU	Unité de calcul centrale	8	DI 16-110V DI 16-220V	Entrées numériques ³⁶
9	DO 8-1	Sorties numériques ³⁴	10	DO 8-2	Sorties numériques ³⁴
11	AI 4	Entrées analogiques ³⁴			

4.3.4 Plaque signalétique

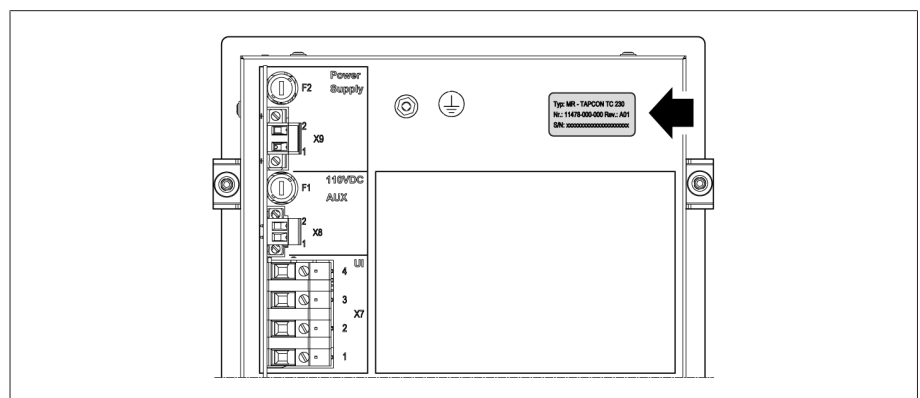



Figure 6: Plaque signalétique au dos de l'appareil

³⁴ Seulement pour les variantes Pro , Expert et AVT.

³⁵ Seulement pour la variante Expert.

³⁶ Vérifiez la variante qui est la vôtre sur la base de la désignation de borne de raccordement au dos de l'appareil.

4.3.5 Indications de sécurité

	Mise en garde contre un danger. Veuillez lire les indications fournies dans les instructions de service du produit.
---	---

4.3.6 Schéma de raccordement et vis de mise à la terre

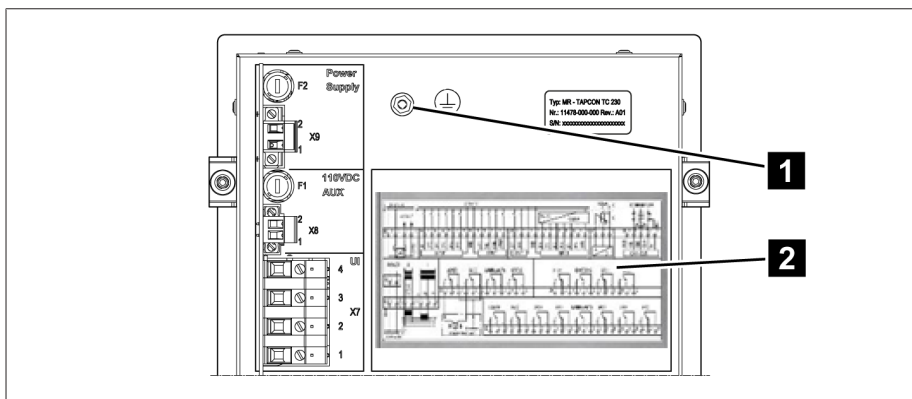


Figure 7: Schéma de raccordement/Vis de mise à la terre

1	Vis de mise à la terre	2	Schéma de raccordement
---	------------------------	---	------------------------

4.3.7 Visualisation

4.3.7.1 Écran d'accueil

Accueil

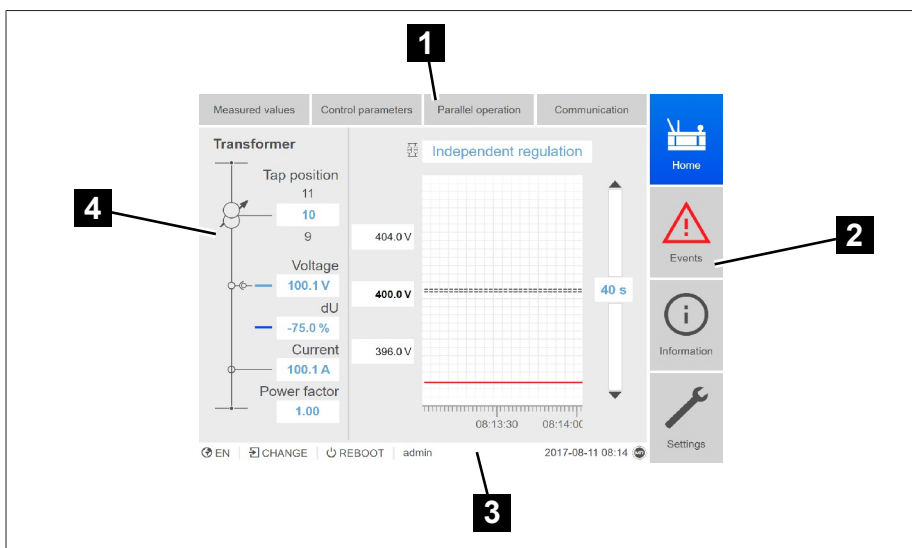


Figure 8: Accueil

1	Navigation secondaire ou chemin de navigation	2	Navigation primaire
3	Barre d'état	4	Zone d'affichage

Valeurs mesurées/Affichage

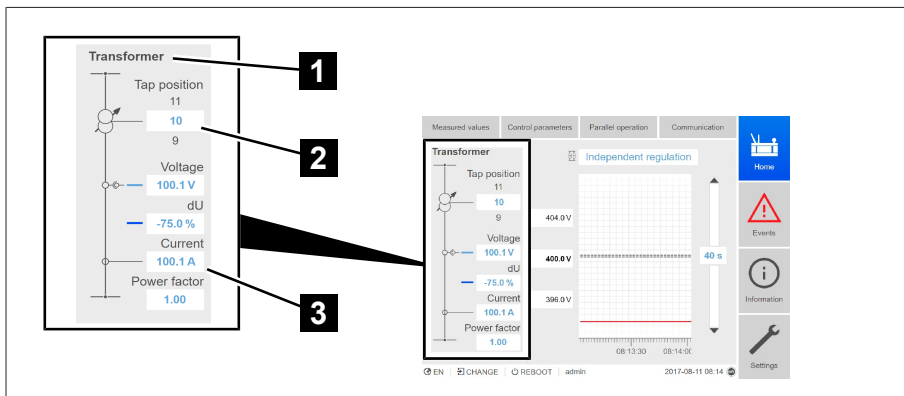


Figure 9: Valeurs mesurées/Affichage

1	Désignation du transformateur (éditable)	2	Position de prise ³⁷
3	Valeurs mesurées actuelles : tension, écart de tension avec correction, courant, facteur de puissance		

Valeurs de consigne/Valeurs réelles/Temporisation

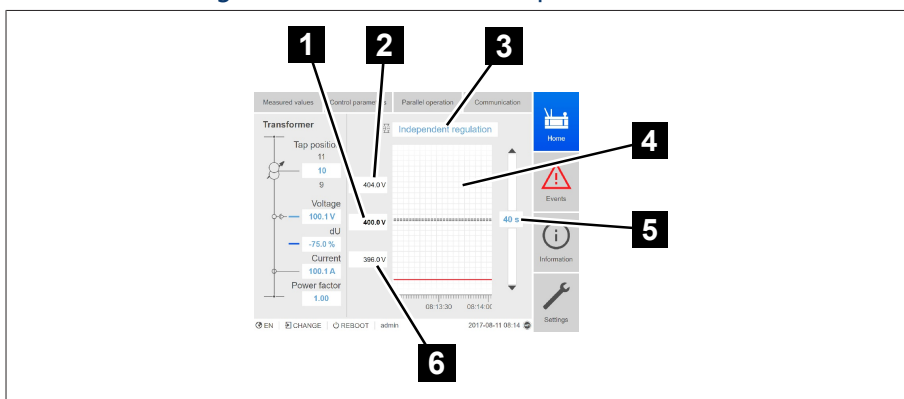


Figure 10: Valeurs de consigne/Valeurs réelles/Temporisation

1	Valeur de consigne	2	Limite supérieure de la largeur de bande
3	Mode: mode individuel/marche en parallèle ³⁸	4	Courbe de la tension corrigée (correction en raison de la compensation ou de la marche en parallèle)
5	Temporisation T1/T2 ³⁹	6	Limite inférieure de la largeur de bande

37 Seulement pour les variantes TAPCON® 230 Pro, Expert et AVT.

38 Seulement pour les variantes TAPCON® 230 Pro, Expert et AVT.

39 Temporisation T2 uniquement pour les variantes TAPCON® 230 Basic, Pro et Expert.

5 Montage

▲ DANGER



Choc électrique !

Danger de mort dû à la tension électrique. Observez toujours les règles de sécurité suivantes lors de travaux dans et sur les installations électriques.

- > Mettez l'installation hors tension.
- > Protégez l'installation contre une remise en marche.
- > Assurez-vous que l'appareil est hors tension sur tous les pôles.
- > Mettez à la terre et court-circuitez.
- > Recouvrez les pièces avoisinantes sous tension ou barrez-en l'accès.

▲ AVERTISSEMENT



Choc électrique !

Un transformateur d'intensité fonctionnant avec un circuit secondaire ouvert peut générer des tensions élevées dangereuses et entraîner la mort, des blessures et des dégâts matériels.

- > N'exploitez jamais le transformateur d'intensité lorsque le circuit secondaire est ouvert, d'où la nécessité de le court-circuiter.
- > Observez les consignes contenues dans les instructions de service du transformateur d'intensité.

AVIS

Endommagement de l'appareil !

La décharge électrostatique peut provoquer des dégâts sur l'appareil.

- > Prenez des mesures de prévention de décharge électrostatique des surfaces de travail et du personnel.

5.1 Préparatifs

Les outils suivants sont requis pour le montage :



selon le lieu d'implantation et la variante de montage, vous avez besoin, le cas échéant, d'outils supplémentaires et de matériel de fixation correspondant, comme par ex. vis, écrous et rondelles qui ne sont pas compris dans la livraison.

- Selon la variante de montage :
 - scie sauteuse électrique pour le montage encastré
 - perceuse pour le montage mural (montage mural avec boîtier).
- Tournevis pour le raccordement des lignes de signaux et d'alimentation.

5.2 Distances minimales

AVIS

Endommagement de l'appareil !

La circulation insuffisante de l'air ambiant peut endommager l'appareil en raison d'une surchauffe.

- > Libérer les fentes d'aération.
- > Prévoir une distance suffisante par rapport aux composants avoisinants.
- > Montez l'appareil uniquement en position horizontale (les fentes d'aération sont situées en haut et en bas).

Par rapport au fond du coffret de contrôle	Distance minimale : 88,9 mm, (3,5 in) Correspond à 2 unités de hauteur
Par rapport au plafond du coffret de contrôle	
Entre l'appareil et d'autres modules sur des réglettes en profilé chapeau distantes	

Tableau 2: Distances minimales dans le coffret de contrôle

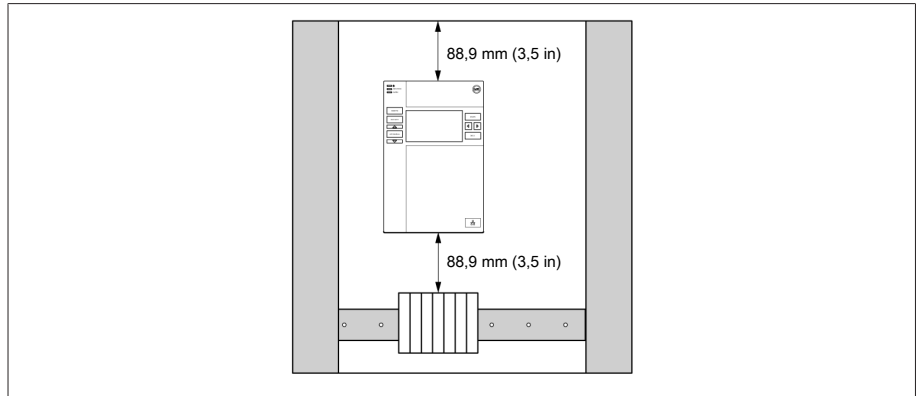


Figure 11: Distances minimales

Pour d'autres types de montage, veuillez contacter la société Maschinenfabrik Reinhausen GmbH.

5.3 Variantes de montage

5.3.1 Montage encastré

Vous pouvez monter l'appareil dans un tableau de commande au moyen de clips. L'épaisseur de paroi recommandée est de 2...5 mm.

Dimensions de la découpe du tableau de commande

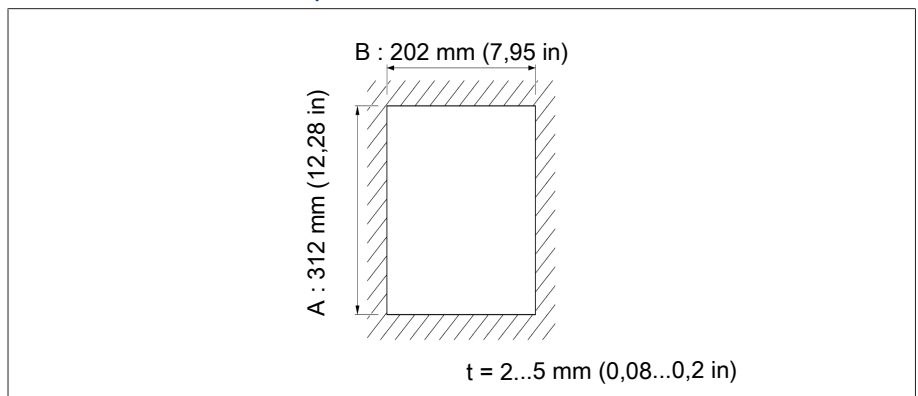


Figure 12: Dimensions de découpe

1. Réalisez une découpe dans le tableau de commande.

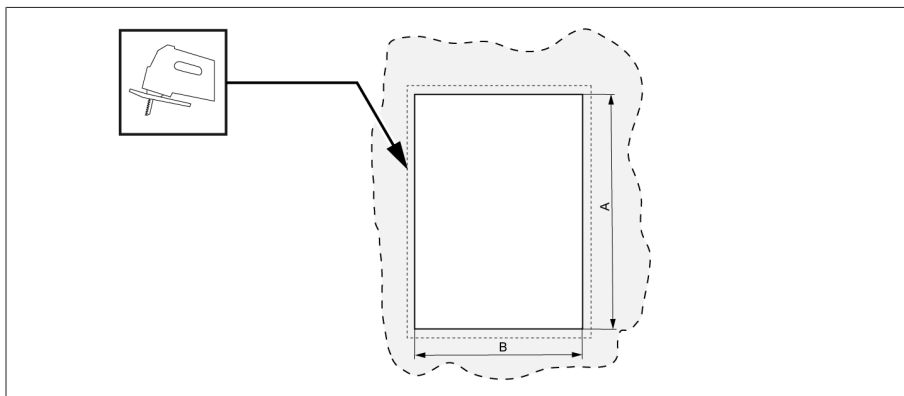


Figure 13: Réaliser une découpe dans le tableau de commande

2. Introduisez l'appareil par l'avant dans la découpe.

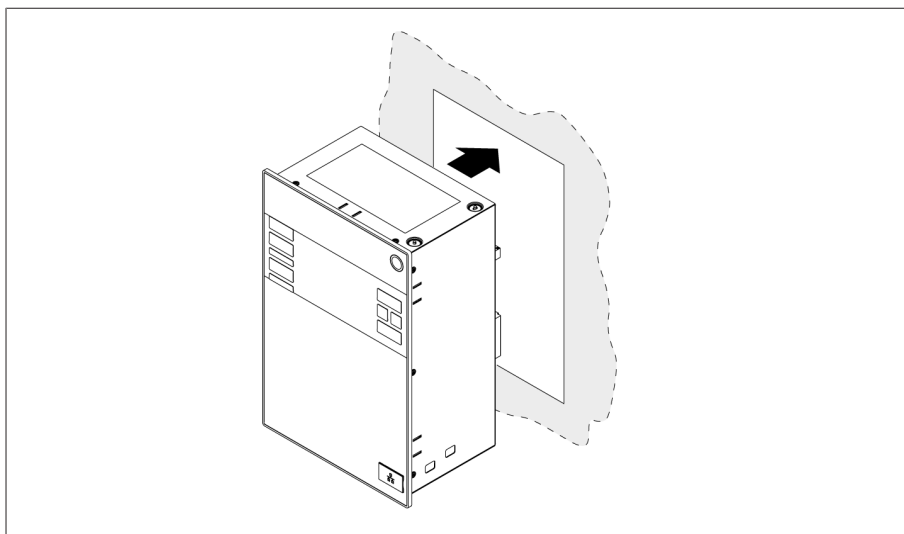


Figure 14: Introduire l'appareil dans la découpe

3. Insérez les clips fournis.

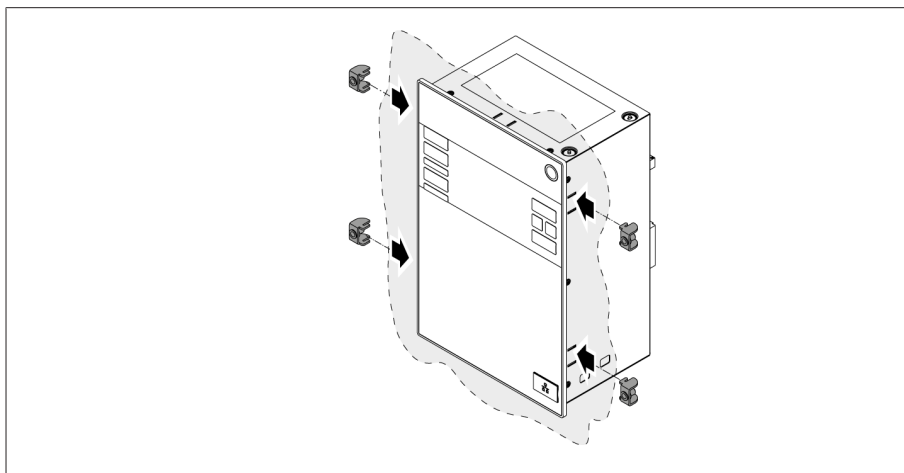


Figure 15: Insérer l'appareil dans la découpe

4. Vissez les goujons filetés dans les clips et fixez l'appareil.

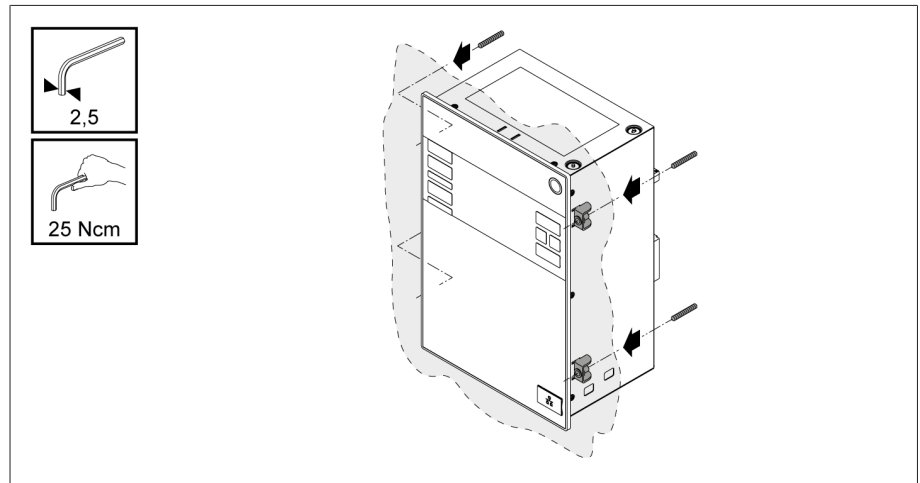


Figure 16: Fixer l'appareil

» L'appareil est maintenant monté et peut être câblé.

5.3.2 Montage mural avec boîtier (en option)

Pour le montage mural, l'appareil est fixé au mur dans un boîtier au moyen d'attaches murales. Utilisez les clips fournis pour monter l'appareil dans le boîtier.

5.3.2.1 Alésages pour le montage mural

Percez quatre trous de 6,8 mm de diamètre dans le mur conformément au gabarit de perçage suivant.

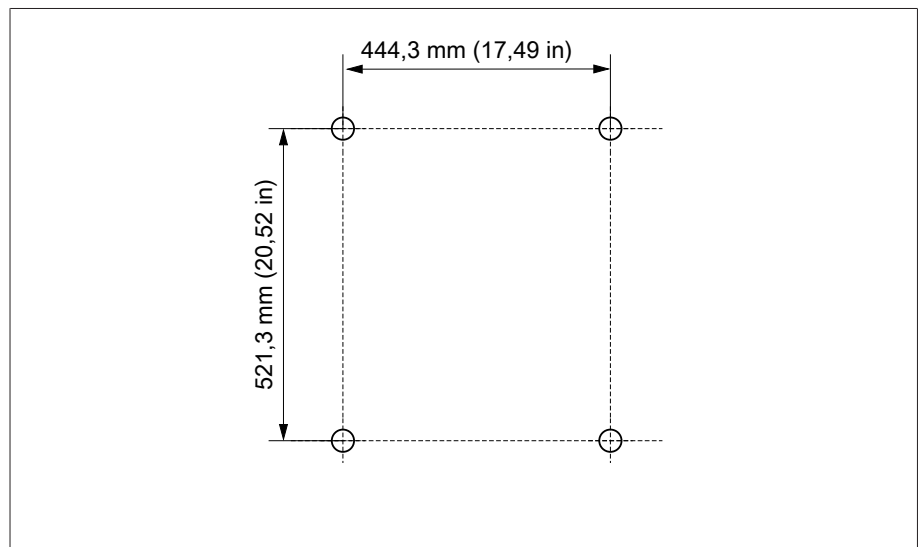


Figure 17: Gabarit de perçage pour le boîtier

5.3.2.2 Montage du boîtier au mur



Les vis requises pour le montage mural ne sont pas comprises dans le volume de livraison. La longueur de vis requise dépend de l'épaisseur du mur.

- ✓ **AVIS !** Endommagement du boîtier par la porte ouverte. Fermez la porte du boîtier pour éviter des dommages pendant le montage mural.
- Fixez le boîtier au mur avec quatre vis M8.

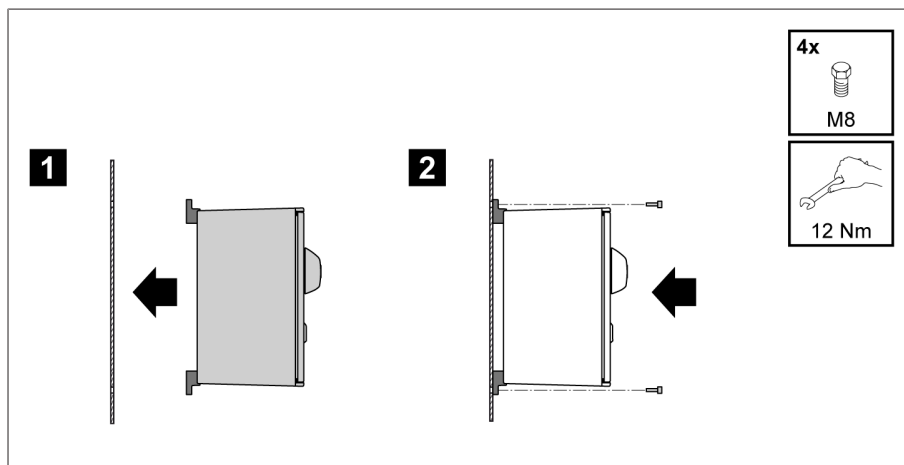


Figure 18: Montage mural

» L'appareil est maintenant monté et peut être câblé.

Réalisez le câblage conformément au schéma de raccordement et à la description dans la section « Raccordement de l'appareil ».

5.3.2.3 Montage de l'appareil dans le boîtier

- ✓ Ouvrez le cadre pivotant du boîtier.
- 1. Introduisez l'appareil par l'avant dans le cadre pivotant du boîtier.

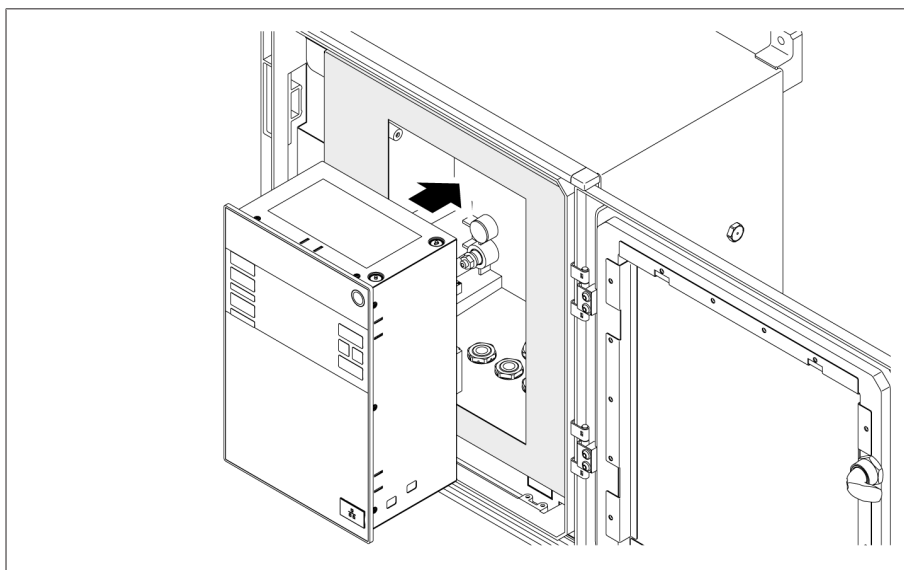


Figure 19: Introduire l'appareil dans le cadre pivotant

2. Insérez les clips fournis.

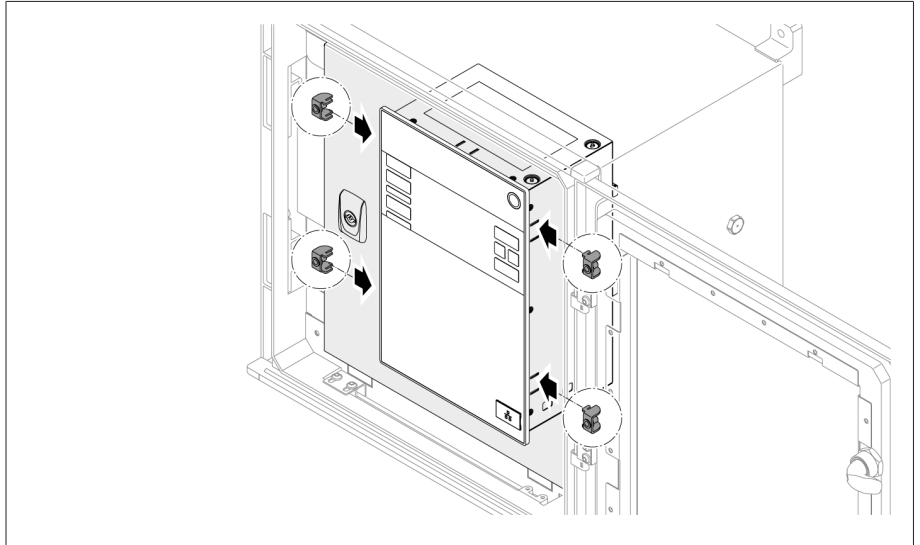


Figure 20: Insérer l'appareil dans la découpe

3. Vissez les goujons filetés dans les trous des clips et fixez l'appareil.

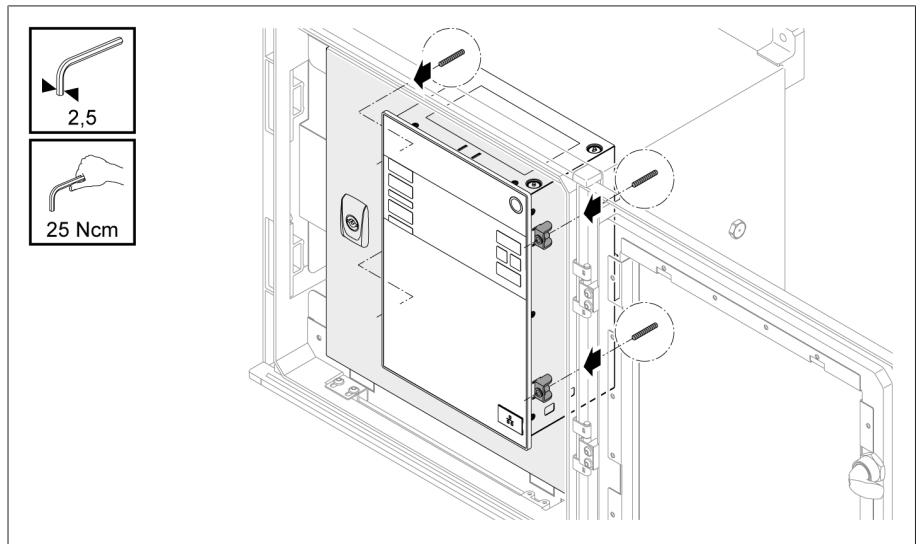


Figure 21: Fixer l'appareil

» L'appareil est maintenant monté et peut être câblé.

5.4 Raccordement de l'appareil

▲ AVERTISSEMENT



Choc électrique !

Les erreurs de raccordement peuvent entraîner la mort, des blessures et des dégâts matériels.

- > Avec un conducteur de protection, mettez l'appareil à la terre à l'aide de la vis de mise à la terre située sur le boîtier.
- > Tenez compte de la configuration des phases sur les raccordements secondaires des transformateurs d'intensité et de tension.
- > Raccordez correctement le relais de sortie au mécanisme d'entraînement.



Fournissez les tensions via les dispositifs de déconnexion et assurez-vous que les circuits de courant peuvent être court-circuités. Placez le dispositif de déconnexion de manière clairement identifiable et librement accessible à proximité de l'alimentation électrique de l'appareil. Vous pouvez ainsi remplacer aisément l'appareil en cas de défaut.

Consignes de câblage

- Ne câblez qu'autant de lignes que nécessaire afin d'assurer une meilleure vue d'ensemble lors du raccordement.
 - Observez le schéma de raccordement [► Section 8.14, Page 298].
 - Utilisez uniquement les câbles spécifiés pour le câblage. Utilisez les câbles recommandés [► Section 5.4.1, Page 266].
 - **AVIS !** Endommagement des bornes ! Un serrage trop ferme des vis peut endommager les bornes à vis. Assurez-vous de respecter le couple de serrage de 0,4 Nm lors de la fixation des bornes à vis.
 - Raccordez les câbles aux périphériques.
 - Pour un montage mural avec boîtier (en option) :
 - Si nécessaire, utilisez les presse-étoupes situés au-dessous du boîtier lors du câblage de l'appareil.
 - **AVIS !** Endommagement de l'appareil ! Le degré de protection IP n'est plus garanti lorsque les presse-étoupes sont ouverts. Obturez les presse-étoupes non utilisés avec des bouchons.
1. Débranchez les connecteurs nécessaires.
 2. Dénudez les câbles et les fils électriques.
 3. Sertissez les fils toronnés avec des embouts.
 4. Insérez les fils électriques dans les bornes correspondantes des connecteurs.
 5. Serrez les vis des bornes correspondantes à l'aide d'un tournevis.
 6. Insérez les connecteurs dans les emplacements prévus à cet effet.
 7. Pourvoyez les faisceaux de câbles d'une décharge de traction.

5.4.1 Câbles recommandés

Observez la recommandation suivante de Maschinenfabrik Reinhausen lors du câblage de l'appareil.



Des capacités de ligne trop élevées peuvent empêcher la coupure du courant de contact par les contacts de relais. Tenez compte, dans les circuits de contrôle actionnés par le courant alternatif, de l'influence de la capacité des lignes de commande longues sur le fonctionnement des contacts de relais.

Si vous voulez établir des connexions Ethernet depuis une armoire électrique ou un bâtiment, nous vous recommandons l'utilisation de fibres optiques (conformément à la recommandation CEI 61850-90-4).

Câble	Interface	Type de câble	Section de conducteur	Longueur max.
Alimentation (externe)	X9	non blindé	1,5 mm ²	-
Mesure de la tension	UI-X7	blindé	2,5 mm ²	-
Mesure du courant	UI-X7	non blindé	2,5 mm ²	-
Entrées de signaux numériques	DI 16	blindé	1,5 mm ²	400 m (<25Ω/km)
Sorties de signaux numériques ⁴⁰	DO 8	blindé	1,5 mm ²	-
Entrées de signaux analogiques	AI 4	blindé	1 mm ²	400 m (<25Ω/km)
RS232, D-SUB 9 pôles	COM-X3	blindé	0,25 mm ²	25 m
RS485	COM-X6	blindé	0,25 mm ²	140 m
Bus CAN	COM-X6	blindé	0,75 mm ²	2 000 m (bus CAN complet)
Ethernet RJ45	X2, X3	min. Cat-5, blindé S/FTP	-	100 m
Ethernet FO	COM-X4	Multimode duplex LC, Om3, 1310nm	-	2 000 m
Sortie 110V CC	X8	non blindé	1,5 mm ²	-
Câble patch RJ45	-	min. Cat-5, blindé S/FTP	-	env. 30 cm

Tableau 3: Câbles de raccordement recommandés

5.4.2 Compatibilité électromagnétique

L'appareil a été développé conformément aux normes CEM applicables. Observez les points suivants pour garantir la conformité avec les normes CEM.

5.4.2.1 Exigence de câblage sur le lieu de montage

Observez les points suivants lors du choix du lieu de montage :

- La protection contre la surtension doit être active.
- La mise à la terre de l'installation doit être conforme aux règles de la technique.
- Les pièces séparées de l'installation doivent être interconnectées via une liaison équipotentielle.
- L'appareil et son câblage doivent être situés à 10 m au moins des disjoncteurs, des sectionneurs et des barres conductrices.

5.4.2.2 Exigence de câblage sur le lieu d'exploitation

Observez les points suivants lors du câblage sur le lieu d'exploitation :

- Posez les connexions dans des goulottes de câblage en métal mises à la terre.
- Ne posez pas les câbles sujets aux perturbations (p. ex. câbles d'alimentation) et les câbles sensibles aux interférences (p. ex. lignes de signaux) dans la même goulotte de câblage.

⁴⁰ Observez la capacité de ligne, voir l'avis plus haut.

- Respectez une distance supérieure à 100 mm entre les câbles sujets aux perturbations et les câbles sensibles aux perturbations.

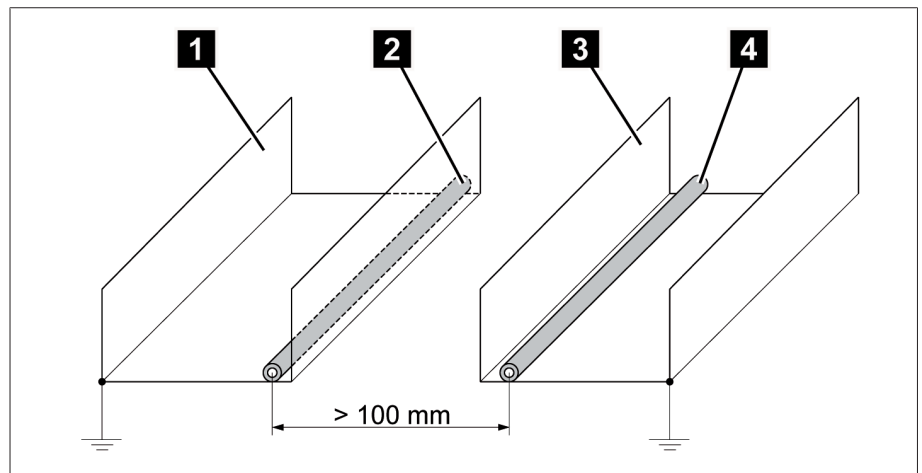


Figure 22: Câblage recommandé

1	Goulotte pour câbles sujets aux perturbations	3	Goulotte pour câbles sensibles aux perturbations
2	Câble sujet aux perturbations (p. ex. câble d'alimentation)	4	Câble sensible aux perturbations (p. ex. ligne de signaux)

- Court-circuitez et mettez à la terre les câbles de réserve.
- Ne raccordez en aucun cas l'appareil à un câble collecteur à quatre brins.
- Pour la transmission des signaux, utilisez des câbles blindés avec conducteurs individuels torsadés par paires (conducteur aller / retour).
- Connectez le blindage sur toute la surface (360°) à l'appareil ou à un rail de mise à la terre proche.

• L'usage de monobrins peut considérablement entraver l'efficacité du blindage. Connectez le blindage brièvement et sur toute la surface.

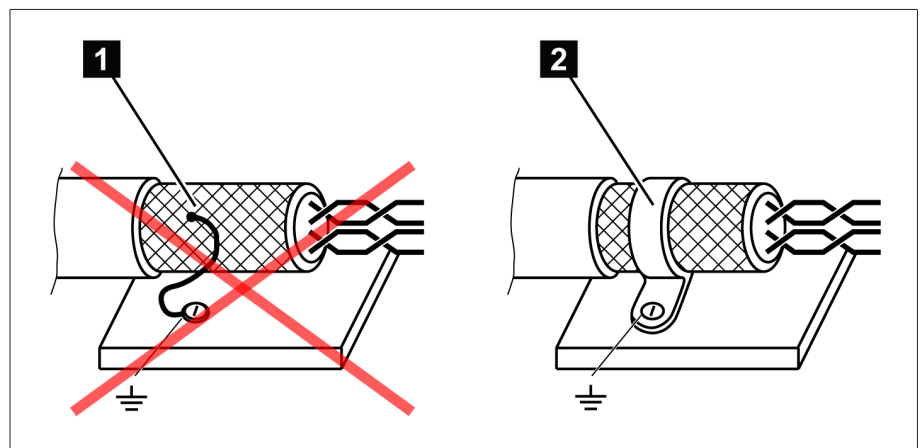


Figure 23: Connexion recommandée du blindage

1	Connexion du blindage via un conducteur unique	2	Connexion du blindage sur toute la surface
---	--	---	--

5.4.2.3 Exigence de câblage dans l'armoire électrique

Observez les indications suivantes lors du câblage de l'armoire électrique :

- L'armoire électrique prévue pour le montage de l'appareil doit être préparée conformément aux spécifications CEM :
 - structure fonctionnelle de l'armoire électrique (séparation spatiale)
 - liaison équipotentielle constante (toutes les pièces métalliques sont connectées)
 - câblage satisfaisant aux exigences CEM (séparation des câbles affectés d'interférences et des câbles sensibles aux interférences)
 - blindage optimal (boîtier en métal)
 - protection contre la surtension (parafoudre)
 - terre commune (barrette de terre principale)
 - traversées de câbles conformes aux exigences CEM
 - les bobines de contacteur existantes doivent être câblées
- Les câbles de raccordement de l'appareil doivent être posés très près du boîtier en métal mis à la terre ou dans des porte-câbles en métal mis à la terre.
- Les lignes de signaux et les câbles d'alimentation/câbles de connexion doivent être posés dans des supports de câbles séparés.
- La mise à la terre [► Section 5.4.12.2, Page 278] de l'appareil doit être effectuée sur la vis prévue à cet effet avec un câble de terre.

5.4.3 Raccorder les câbles aux périphériques



Ne câbler qu'autant de lignes que nécessaire afin d'assurer une meilleure vue d'ensemble lors de la connexion.

Pour raccorder les câbles aux périphériques, procédez comme suit :

- ✓ Utilisez uniquement les câbles spécifiés pour le câblage. Utilisez les câbles recommandés [► Section 5.4.1, Page 266].
- Raccordez les câbles devant être branchés à l'appareil aux périphériques conformément au schéma de raccordement.

5.4.4 Raccordement du bus CAN



Disponible seulement pour les variantes TAPCON® 230 Pro, Expert et AVT.

5.4.4.1 Blindage du bus CAN

Afin de garantir le fonctionnement sans faille du bus CAN, vous devez raccorder le blindage conformément à une des variantes ci-après. Si vous ne pouvez appliquer aucune des variantes mentionnées, nous vous recommandons d'utiliser des câbles à fibre optique. Les câbles à fibre optique découplent les appareils et sont insensibles aux perturbations électromagnétiques (surtension et salve).

AVIS

Endommagement de l'appareil !

Si vous raccordez le câble du bus CAN à des appareils qui ne sont pas sur le même potentiel, il risque d'y avoir un passage de courant dans le blindage. Ce courant est susceptible d'endommager l'appareil.

- Raccordez les appareils à une barre d'équipotentialité pour assurer la liaison équipotentielle.
- Si les deux appareils ne sont pas sur le même potentiel, ne raccordez le blindage du câble du bus CAN qu'à un seul appareil.

Variante 1 : les appareils connectés sont sur le même potentiel

1. Raccordez tous les appareils à une barre d'équipotentialité pour assurer la liaison équipotentielle.
2. Raccordez le blindage du câble du bus CAN à tous les appareils connectés.

Variante 2 : les appareils connectés sont sur un potentiel différent



Notez que l'efficacité du blindage est plus faible dans le cas de cette variante.

- ✓ Raccordez le blindage du câble du bus CAN à **un seul appareil**.
- ✓ Raccordez les fils du câble blindé du bus CAN aux broches 10 (CAN H) ; 9 (CAN GND) et 8 (CAN L) du connecteur COM-X6.

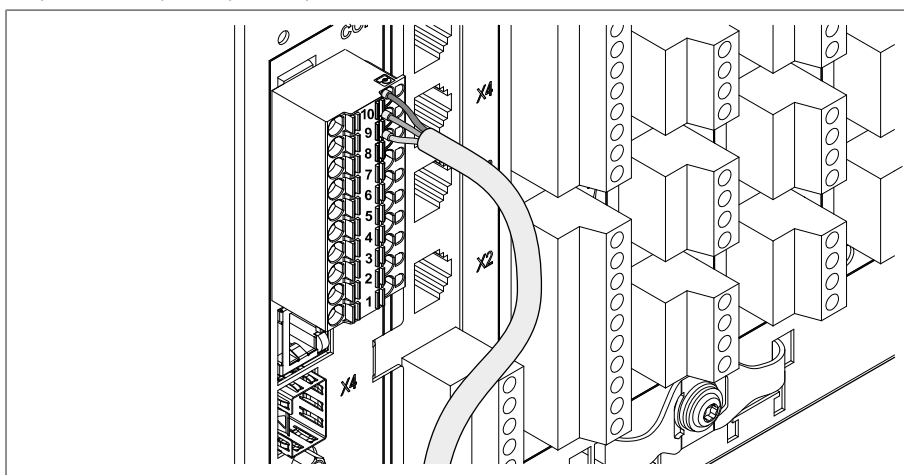


Figure 24: Raccorder les fils aux broches 10 ; 9 ; 8

- > Posez le blindage du câble et vissez avec la borne de blindage fournie, puis fixez avec une décharge de traction (serre-câble).

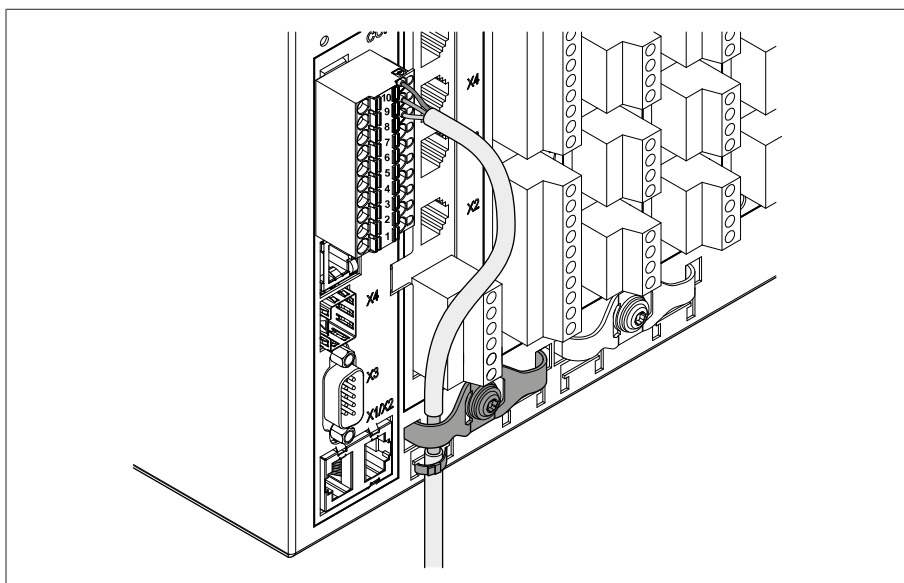


Figure 25: Borne de blindage et décharge de traction

5.4.4.2 Monter la résistance de terminaison du bus CAN

Si vous souhaitez exploiter l'appareil en marche en parallèle, vous devez monter une résistance de terminaison de $120\ \Omega$ aux deux extrémités du bus CAN.

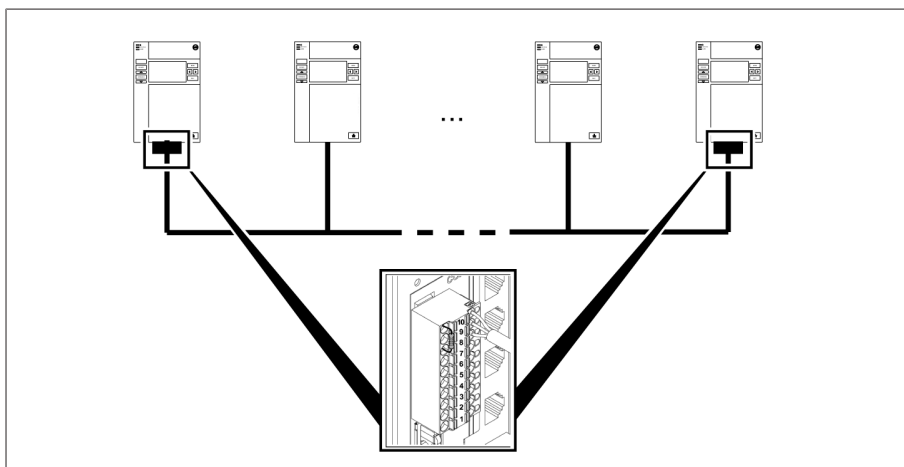


Figure 26: La résistance de terminaison du bus CAN

- Montez la résistance de terminaison dans les broches 10 ; 9 et 8 du connecteur COM-X6.

5.4.5 Raccordement SCADA



Disponible seulement pour les variantes TAPCON® 230 Expert et AVT.

AVIS

Endommagement de l'appareil !

L'utilisation de câbles de données inappropriés peut endommager l'appareil.

- Utiliser exclusivement des câbles de données conformes à la description suivante.

Selon le système de conduite utilisé, vous devez raccorder l'appareil à une des variantes suivantes.

5.4.5.1 Interface série RS485 (COM-X6)

Si vous souhaitez utiliser l'interface série RS485, vous devez monter une résistance de terminaison de $120\ \Omega$ aux deux extrémités du bus RS485.

1. Raccordez les fils du câble blindé aux broches 7 (Data +) ; 6 (GND) et 5 (Data-) du connecteur COM-X6.

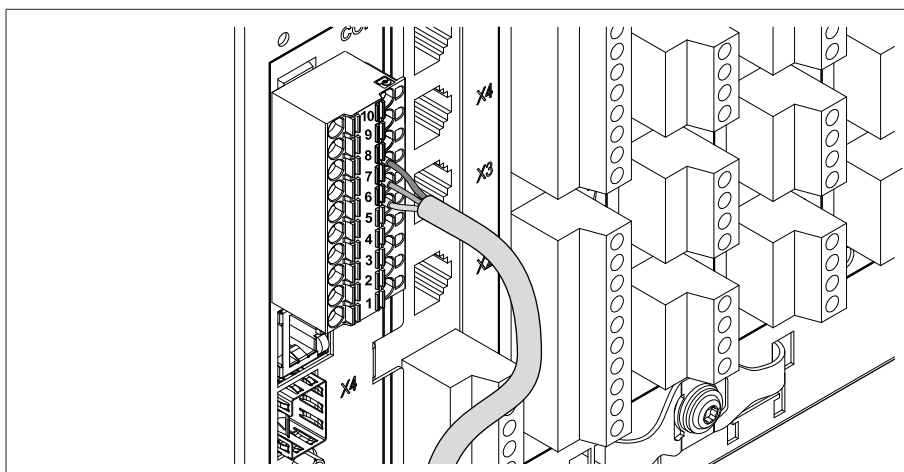


Figure 27: Raccorder les fils aux broches 7 ; 6 ; 5

2. Posez le blindage du câble et vissez dans la borne de blindage fournie, puis fixez avec une décharge de traction (serre-câble).

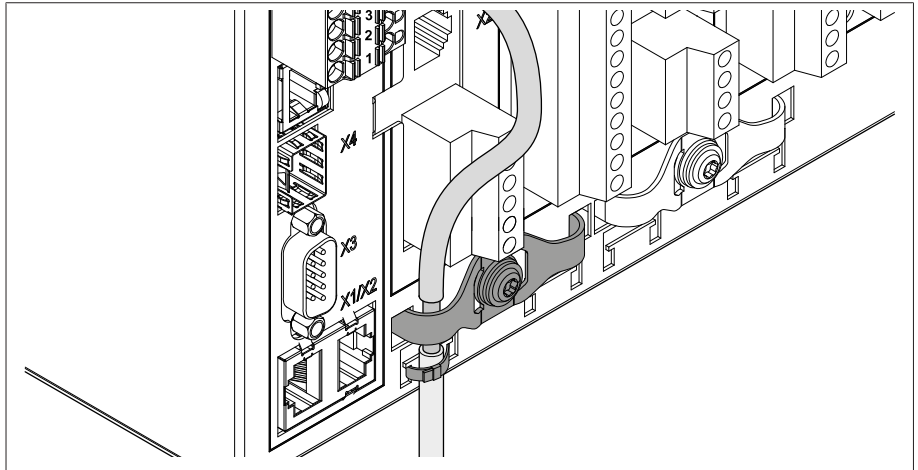


Figure 28: Borne de blindage et décharge de traction

3. Reliez l'interface RJ45 COM-X1 et l'interface CPU-X4 au moyen du câble patch.

5.4.5.2 Interface série RS232 (D-SUB 9 pôles)

Câble de données

Pour le raccordement de l'appareil via l'interface RS232, utilisez un câble de données conformément au montage suivant :

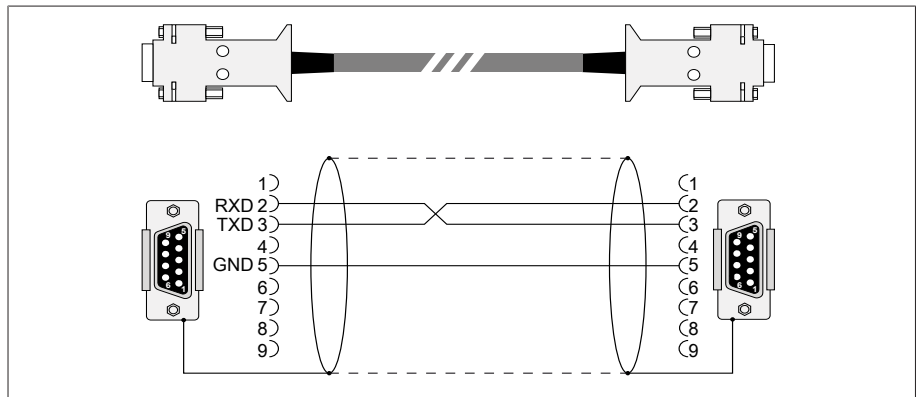


Figure 29: Câble de données RS232 (9 pôles)

Connecteur D-SUB 9 pôles

Utilisez exclusivement des connecteurs D-SUB 9 pôles présentant les propriétés suivantes :

- Boîtier de connecteur métallique ou métallisé
- Blindage du câble relié au connecteur conforme à une des variantes suivantes :
 - Blindage vissé à la décharge de traction.
 - Blindage soudé au boîtier de connecteur.

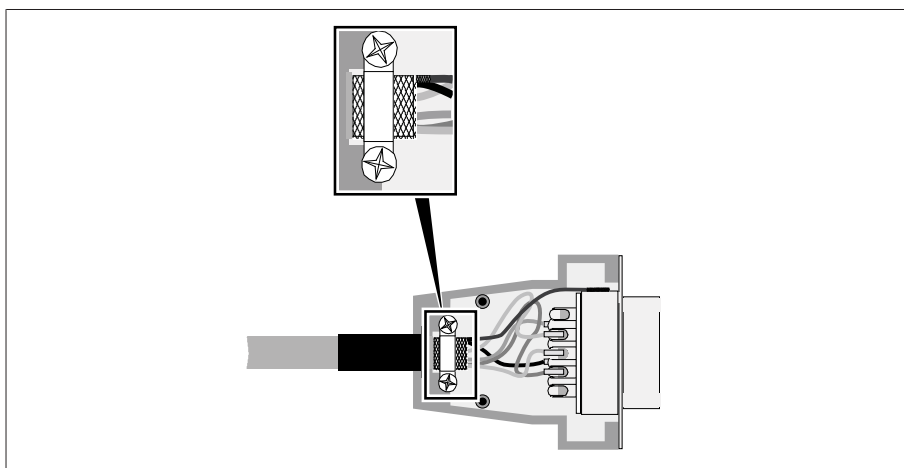


Figure 30: Exemple de blindage soudé au boîtier de connecteur

Raccordement

1. Raccordez le connecteur D-Sub 9 pôles à l'interface COM-X3.
2. Reliez l'interface RJ45 COM-X1 et l'interface et CPU-X5 au moyen du câble patch fourni.

5.4.5.3 Fibre optique

Observez à ce propos les indications du fabricant de la fibre optique et les consignes suivantes pour garantir une transmission des données fluide :

- Veillez impérativement à ce que les limites inférieures minimales admissibles des rayons de courbure ne soient pas dépassées (ne pas plier la fibre optique).
- Évitez une tension excessive et une compression des fibres de la fibre optique. Observez les valeurs de charge admissibles dans chaque cas.
- Évitez de tordre ou de torsader les fibres de la fibre optique.
- Faites attention aux arêtes vives qui risquent d'endommager la gaine du câble de la fibre optique lors de la pose ou d'exercer ultérieurement une charge mécanique sur la gaine.
- Prévoyez un câble de réserve suffisant dans la zone des armoires de distribution. Posez le câble de réserve de manière à ce que le câble de la fibre optique ne soit ni plié ni tordu lorsqu'il est serré.

Fibre optique 1310 mm multimode

1. Insérez le module SFP fourni dans l'interface COM-X4 **1** et rabattez la barrette **2**.

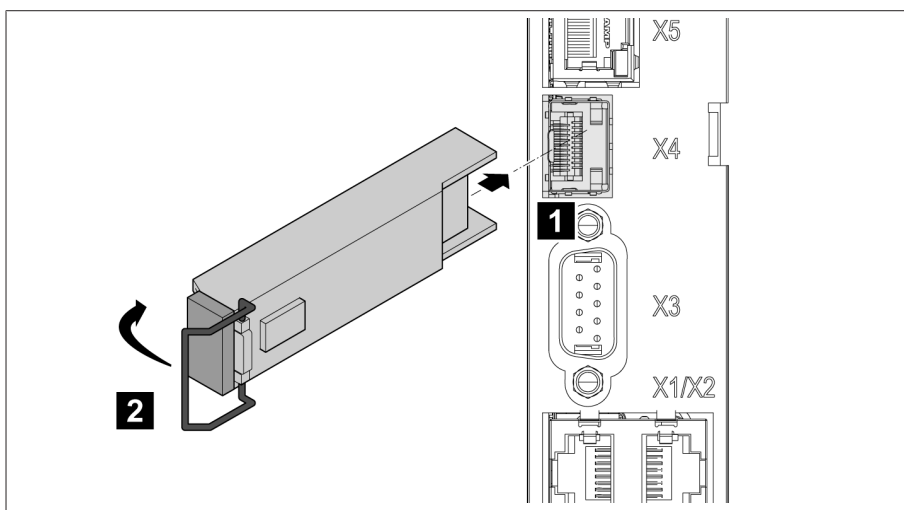


Figure 31: Encliqueter le module SFP

2. Enlevez l'embout anti-poussière du module SFP.

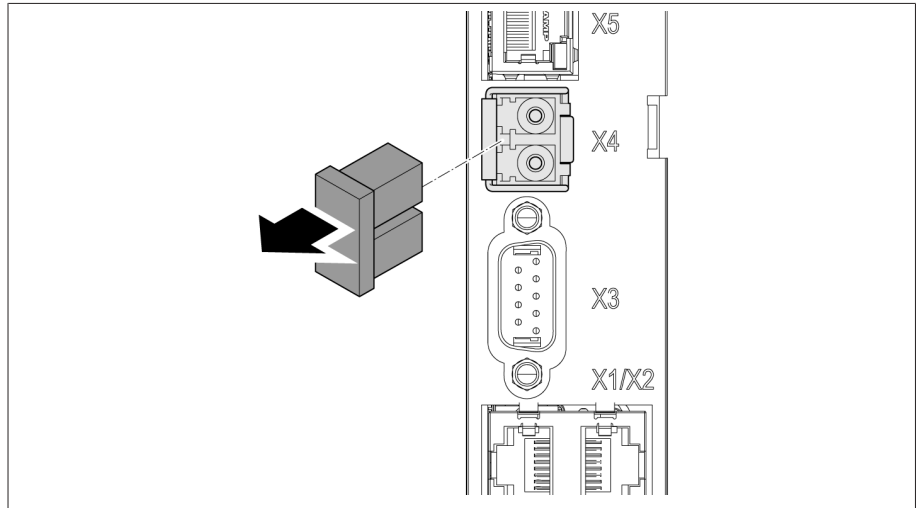


Figure 32: Enlever la protection anti-poussière

3. Raccordez la fibre optique duplex LC au module SFP COM-X4.

4. Reliez les interfaces COM-X5 et CPU-X2 à l'aide du câble patch fourni.

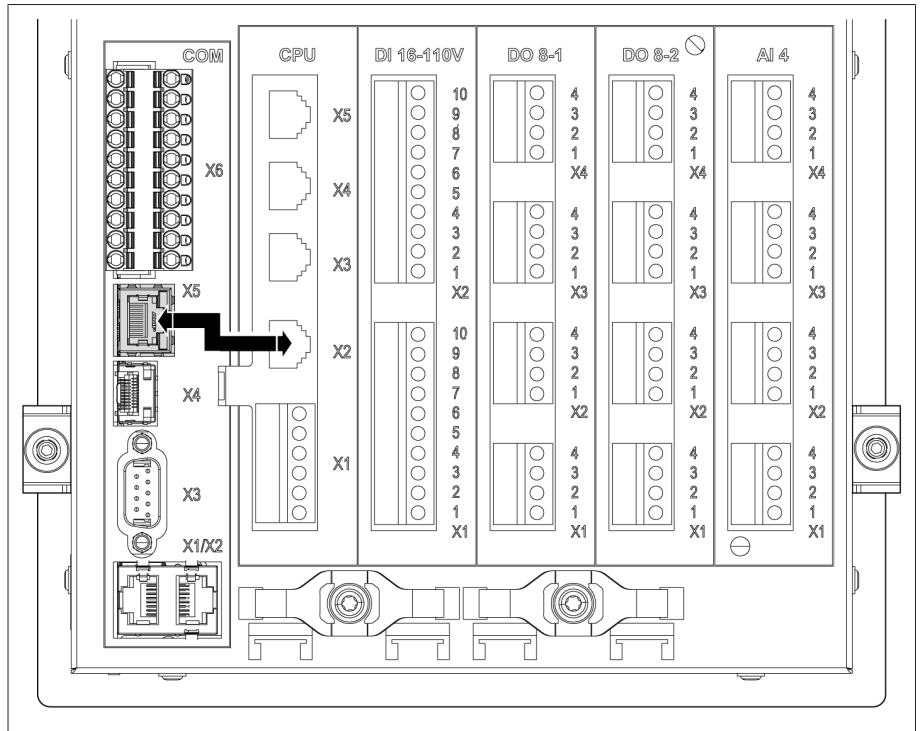


Figure 33: Relier CPU-X5 et COM-X2

Fibre optique série

Si vous souhaitez raccorder votre système de conduite en utilisant une fibre optique série, il vous faut le convertisseur FO CM-0847

> Raccordez la fibre optique série et le convertisseur à l'interface CPU-X5.

5.4.5.4 Interface Ethernet

> Raccordez le câble Ethernet (connecteur RJ45) à l'interface CPU-X3.

5.4.6 Câblage de la mesure de la tension/du courant UI

Vous devez sécuriser le circuit électrique pour la mesure de tension selon la section de conducteur utilisée. Vous pouvez utiliser les types de sécurisation suivants :

	Disjoncteur de ligne	Fusible
Norme	CEI 60947-2	CEI 60269
Tension assignée	400 V (L-L) ou 230 V (L-N)	
Courant assigné	30 mA...16 A	
Caractéristique	B, C, K ou Z	À action rapide, semi-retardée, retardée
Pouvoir de coupure assigné	50 kA En cas d'installation conformément à CEI 61010-2-30 CAT II : 10 kA	

Tableau 4: Types de sécurisation admissibles

1. Mesure de la tension : passez les fils dans les bornes UI:X7-4 (conducteur N) et UI:X7-3 (conducteur L) et fixez-les à l'aide d'un tournevis.

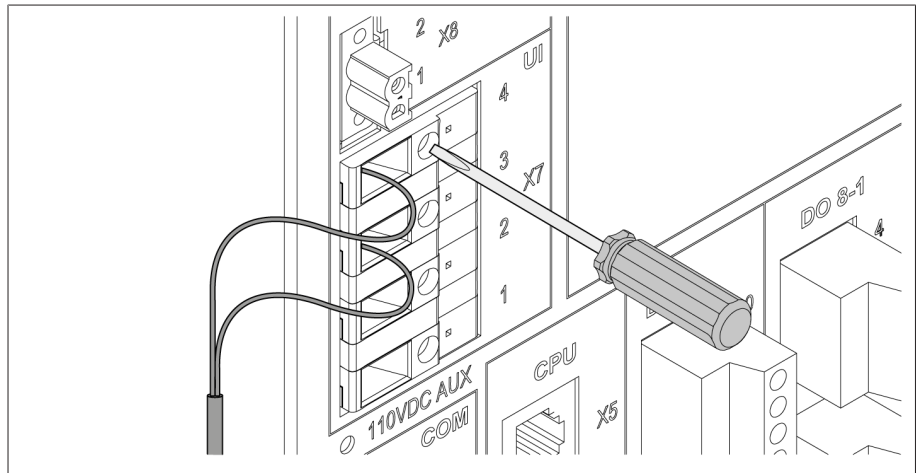


Figure 34: UI:X7-4/3

2. Mesure du courant : passez les fils dans les bornes UI:X7-2 (l) et UI:X7-1 (k) et fixez-les à l'aide d'un tournevis.

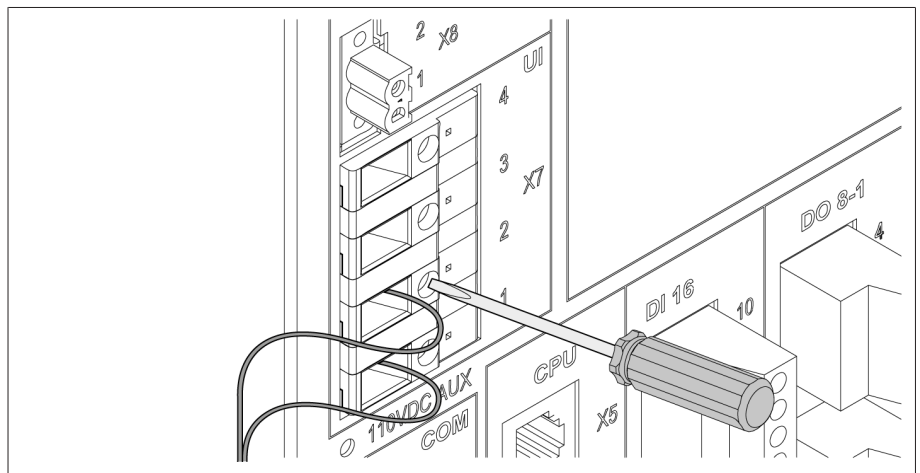


Figure 35: UI:X7-2/1

5.4.7 Câblage des entrées analogiques AI

AVIS

Endommagement de l'appareil et des capteurs !

Les entrées / sorties analogiques mal raccordées et mal configurées peuvent entraîner des dégâts sur l'appareil et sur le capteur.

- > Suivez les indications concernant le raccordement des capteurs analogiques.
- > Configurez les entrées et les sorties analogiques conformément aux capteurs raccordés.

Vous pouvez raccorder les types de capteurs analogiques suivants :

- 0/4...20 mA
- 0 à 10 V
- PT100/PT1000 (2 conducteurs, 3 conducteurs, 4 conducteurs) indirectement via le transducteur de mesure

Pour une acquisition sans erreur des signaux analogiques, vous devez poser le blindage du câble sur la borne de terre. Ce faisant, veillez à ce que le blindage du câble soit enlevé, si possible, peu avant le raccordement, afin que la distance des câbles non blindés soit la plus courte possible. Le raccordement du blindage doit être effectué avec des colliers de blindage.

Schéma bloc et variantes de câblage

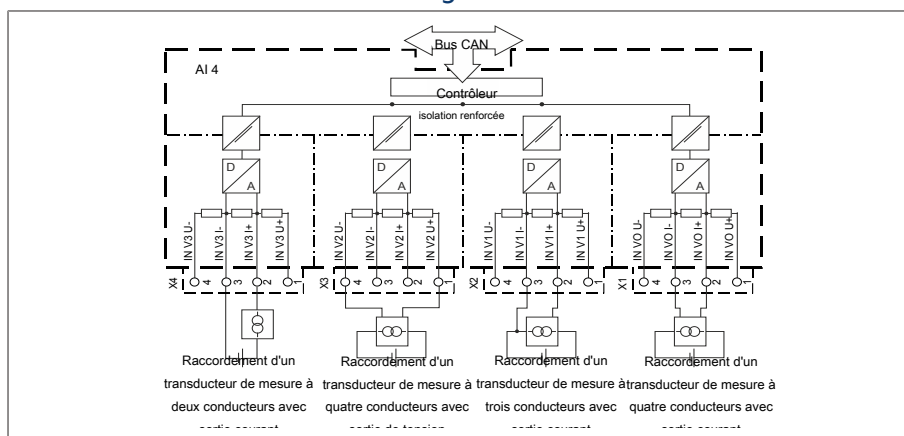


Figure 36: Schéma bloc pour les entrées analogiques

1. Passez les fils dans la borne du connecteur et fixez-les à l'aide d'un tournevis.
2. Insérez le connecteur dans l'emplacement correspondant conformément au schéma de raccordement [► Section 8.14, Page 298] et vissez-le.

5.4.8 Câblage des entrées numériques DI 16-110 V

Si l'appareil est équipé des raccordements DI 16-110 V, ils doivent être alimentés avec une tension auxiliaire de 110 V CC.



Vérifiez la variante qui est la vôtre sur la base de la désignation de borne de raccordement au dos de l'appareil.

1. Passez les fils dans la borne du connecteur DI 16-110V conformément au schéma de raccordement [► Section 8.14, Page 298] et fixez-les à l'aide d'un tournevis.
2. Insérez le connecteur dans l'emplacement correspondant et vissez-le.

Alimentation en courant auxiliaire pour entrées numériques

1. Passez les fils dans la borne X8:2 et la borne X8:1 du connecteur X8 conformément au schéma de raccordement [► Section 8.14, Page 298] et fixez-les à l'aide d'un tournevis.
2. Insérez le connecteur dans l'emplacement correspondant et vissez-le.

5.4.9 Câblage des entrées numériques DI 16-220 V

Si l'appareil est équipé des raccordements DI 16-220 V, procédez de la manière suivante :



Vérifiez la variante qui est la vôtre sur la base de la désignation de borne de raccordement au dos de l'appareil.

1. Passez les fils dans la borne du connecteur DI 16-220V conformément au schéma de raccordement [► Section 8.14, Page 298] et fixez-les à l'aide d'un tournevis.
2. Insérez le connecteur dans l'emplacement correspondant et vissez-le.

5.4.10 Câblage des sorties numériques DO

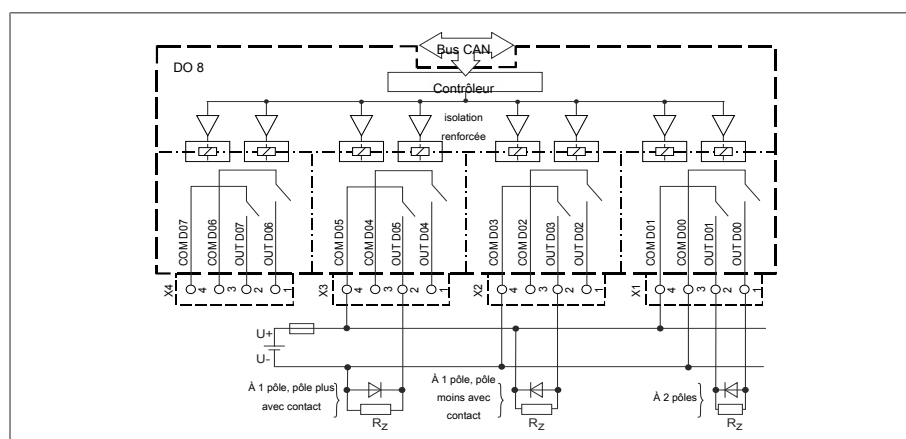


Figure 37: Schéma bloc pour les sorties numériques

1. Passez les fils dans la borne du connecteur schéma de raccordement et fixez-les à l'aide d'un tournevis.
2. Insérez le connecteur dans l'emplacement correspondant et vissez-le.

5.4.11 Câblage de la rangée de contacts potentiométrique

Raccorder la rangée de contacts potentiométrique aux interfaces COM X6 et AI 4 conformément au schéma de raccordement [► Section 8.14, Page 298].

5.4.12 Alimentation électrique et mise à la terre

5.4.12.1 Raccordement de l'alimentation

Ne raccordez l'appareil qu'à des circuits électriques équipés d'un dispositif de protection contre les surintensités externe et d'un dispositif de déconnexion sur tous les pôles, ce qui permet de mettre l'installation complètement hors tension en cas de besoin (maintenance, entretien etc.).

Les dispositifs de déconnexion conformes aux normes CEI 60947-1 et CEI 60947-3 peuvent se prêter à cet effet (p. ex. disjoncteur). Lors du choix du type de sectionneur, tenez compte des propriétés des différents circuits électriques (tension, courants maximaux). Observez également les points suivants :

- Le dispositif de déconnexion doit être facilement accessible à l'utilisateur
- Le dispositif de déconnexion doit être marqué pour l'appareil à déconnecter et les circuits électriques à déconnecter
- Le dispositif de déconnexion ne doit en aucun cas faire partie de la ligne électrique
- Le dispositif de déconnexion ne doit en aucun cas couper le conducteur de protection principal

Disjoncteur de ligne Vous devez sécuriser le circuit d'alimentation avec un disjoncteur de ligne. Le disjoncteur de ligne doit avoir les propriétés suivantes :

- Courant assigné : 6...10 A
- Caractéristique de déclenchement : C, K ou Z

Section de conducteur Pour le circuit d'alimentation, utilisez une section de conducteur conformément au disjoncteur de ligne de votre choix, mais toutefois d'un diamètre minimal de 1,5 mm² (AWG 15).

Raccordement de l'alimentation

> Raccordez l'alimentation électrique conformément au schéma de raccordement [► Section 8.14, Page 298] et mettez l'appareil à la terre.

5.4.12.2 Raccordement de la mise à la terre

1. Enlevez l'écrou et la rondelle de la vis de mise à la terre.
2. Placez le câble de mise à la terre ainsi que le fil de mise à la terre du câble d'alimentation sur la vis de mise à la terre de l'appareil et fixez avec l'écrou et la rondelle.

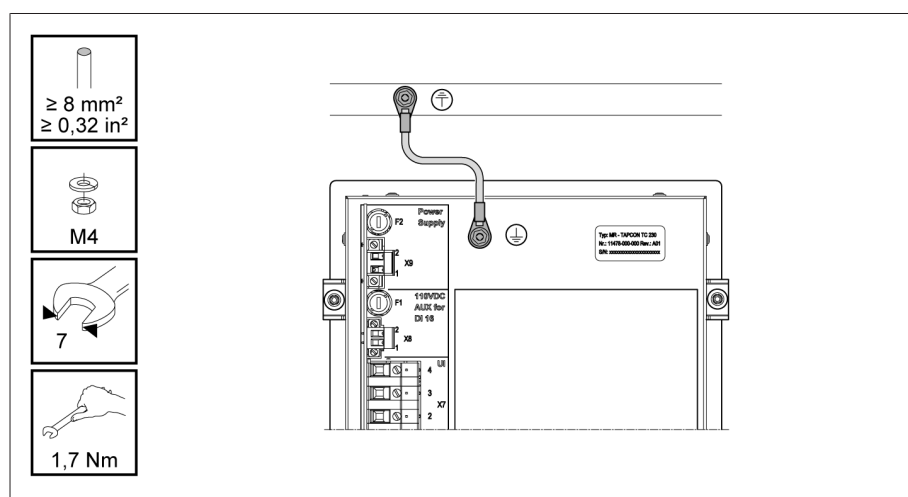


Figure 38: Raccordement du câble de terre

5.4.12.3 Raccordement de la mise à la terre de l'appareil au boîtier (en option)

Si vous avez monté l'appareil dans un boîtier, effectuez la mise à la terre comme suit :

✓ Le cadre pivotant est ouvert.

1. Passez un câble de mise à la terre à travers un presse-étoupe.
2. Desserrez la vis de mise à la terre sur le boîtier et raccordez le câble de mise à la terre au point neutre prévu à cet effet dans le boîtier.

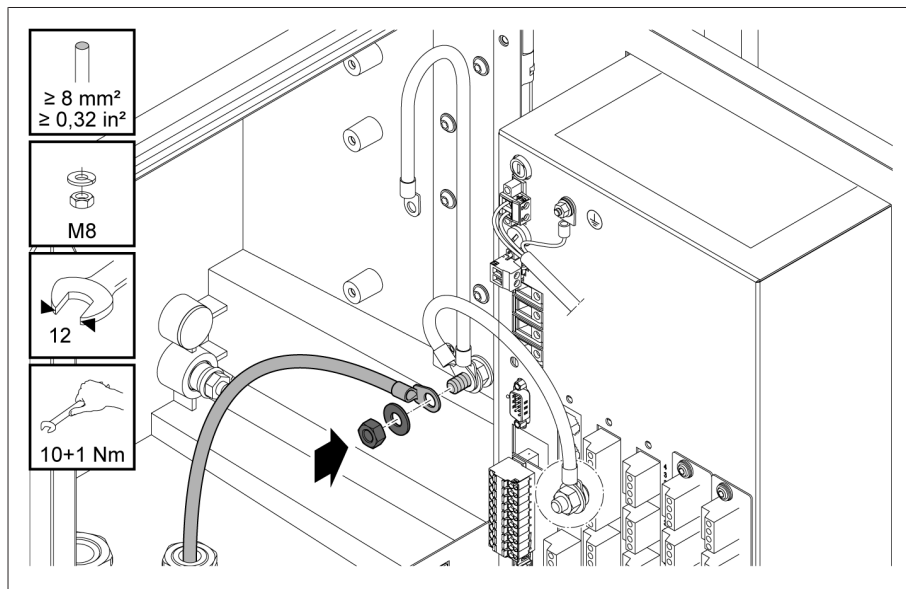


Figure 39: Mettre le boîtier à la terre

3. Fixez le câble de mise à la terre du boîtier sur la vis de mise à la terre de l'appareil. Si nécessaire, fixez également le conducteur de protection du câble d'alimentation sur la vis de mise à la terre.

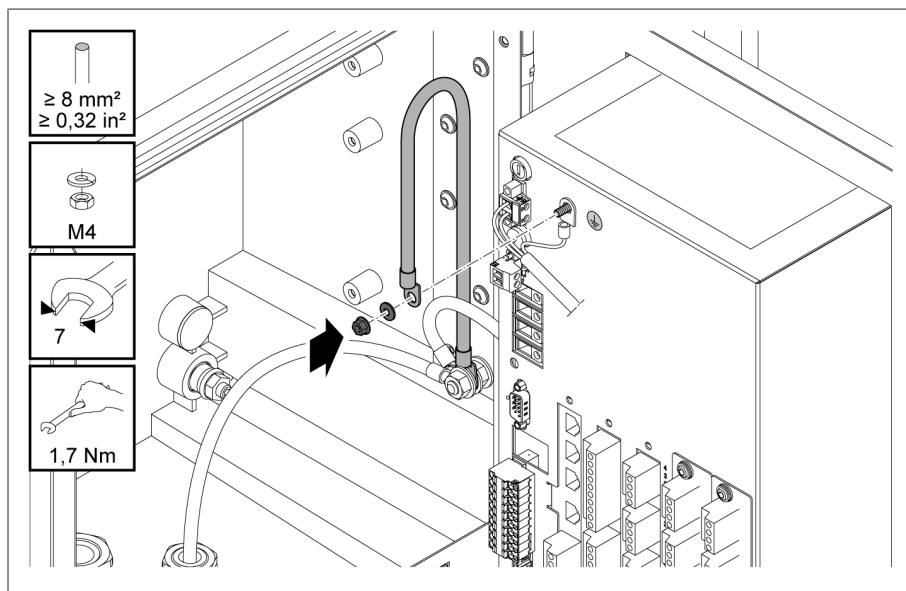


Figure 40: Fixer le câble de mise à la terre du boîtier et le conducteur de protection sur l'appareil

5.5 Effectuer les contrôles

AVIS

Endommagement de l'appareil et des périphériques !

Un appareil mal raccordé peut entraîner des dommages sur l'appareil et les périphériques.

- > Vérifier le câblage général avant la mise en service.
- > Vérifier la tension d'alimentation et la tension de mesure avant la mise en service.

- > Raccordez l'appareil au réseau électrique.
 - » Le logo MR s'affiche suivi de l'écran de service.
 - » La DEL *Affichage de tension* dans la partie supérieure gauche du panneau frontal de l'appareil s'allume.

6 Premières étapes

AVIS

Endommagement de l'appareil et des périphériques !

Un appareil mal raccordé peut entraîner des dommages sur l'appareil et les périphériques.

> Vérifier le câblage général avant la mise en service.

Une fois que l'appareil a démarré et qu'il affiche l'écran d'accueil, vous êtes invité à effectuer les réglages indiqués ci-après.

6.1 Établissement d'une connexion à la visualisation

Vous pouvez établir une connexion à la visualisation via deux interfaces :

- Interface frontale (pour l'accès local)
- En option : interface X3 à l'arrière de l'appareil (pour l'accès via un écran à distance, un poste de conduite etc.)

Configuration requise

Pour accéder à la visualisation Web, vous avez besoin d'un ordinateur avec un navigateur compatible avec HTML5. L'affichage est optimisé pour les navigateurs suivants :

- Microsoft Edge
- Google Chrome™

Établissement d'une connexion via l'interface frontale

1. Ôtez le recouvrement de l'interface sur la face avant de l'appareil.
2. Reliez les interfaces COM-X2 et CPU-X3 à l'aide du câble patch fourni.

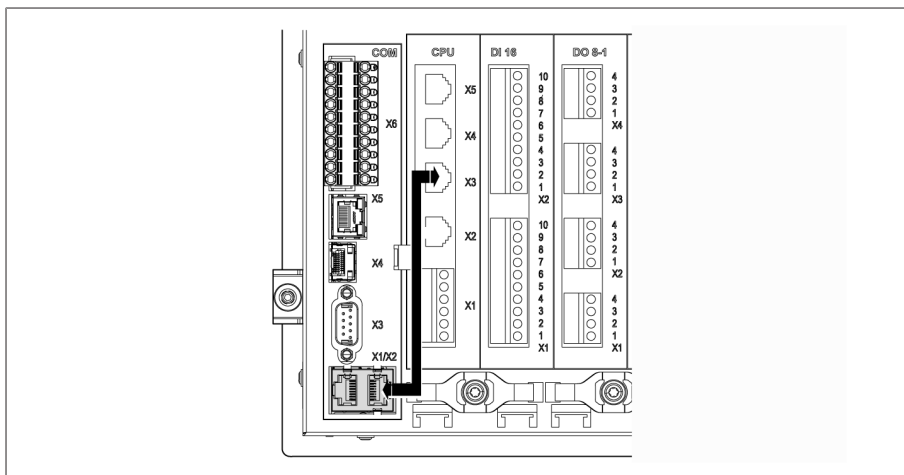


Figure 41: Câble patch sur la face arrière

- Connectez l'ordinateur et l'appareil à l'aide du câble Ethernet (connecteur RJ45) via l'interface frontale.

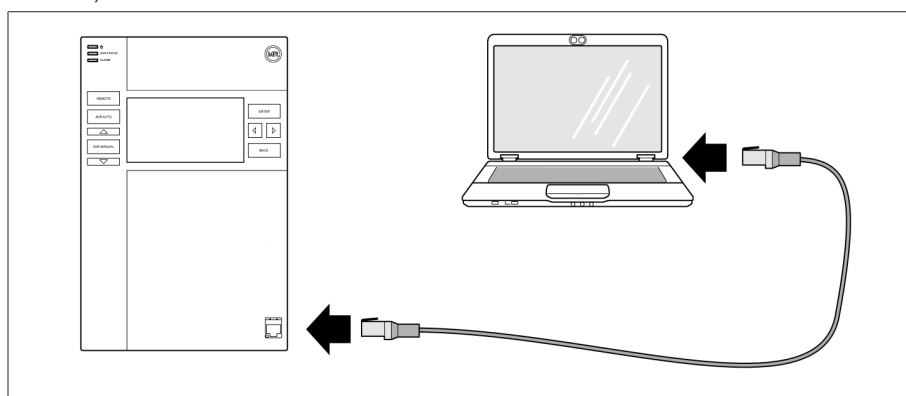


Figure 42: Établir une connexion via l'interface frontale

- Affectez à l'ordinateur une adresse IP unique qui se trouve dans le même sous-réseau que l'appareil (p. ex. 192.168.165.100).
- Dans le navigateur de l'ordinateur, entrez l'adresse IP de la visualisation `http://192.168.165.1` ou, lorsque le cryptage SSL est actif `https://192.168.165.1`.
- » L'appel de la visualisation est lancé.


Établissement d'une connexion via l'interface arrière CPU-X3

- Connectez l'ordinateur et l'appareil à l'aide du câble patch préconfectionné via l'interface arrière CPU-X3.
- Sélectionnez l'option de menu **Communication** sur l'appareil pour afficher l'adresse IP de l'appareil.
- Affectez à l'ordinateur une adresse IP unique qui se trouve dans le même sous-réseau que l'appareil (p. ex. 192.0.1.100).
- Sur l'ordinateur, entrez l'adresse IP de la visualisation (p. ex. `http://192.0.1.230` ou, lorsque le cryptage SSL est actif `https://192.0.1.230`) dans le navigateur.
- » L'appel de la visualisation est lancé.

6.2 Réglage de la langue


Anglais	Italien
Allemand	Portugais
Français	Russe
Espagnol	Chinois
Coréen	Polonais

Tableau 5: Langues d'affichage réglables

- Sélectionnez le bouton  EN dans la barre d'état.
- Sélectionnez la langue souhaitée dans la liste déroulante.
- Sélectionnez le bouton Appliquer pour appliquer le paramètre.
 - » La boîte de dialogue « Redémarrer l'appareil » s'affiche.
- Redémarrez l'appareil pour appliquer la modification du réglage de la langue.

6.3 Téléchargement des instructions de service

Téléchargez les instructions de service depuis l'appareil afin de commencer la mise en service et le paramétrage de l'appareil.

- > Sélectionnez  dans la barre d'état.
- » Le téléchargement des instructions de service est lancé.

Vous pouvez également télécharger le document dans le portail client MR ou sur notre site web à l'adresse www.reinhausen.com.

7 Dépannage

7.1 Défauts généraux

Manifestation/Détail	Cause	Solution
Aucune fonction – La DEL <i>Alimentation électrique</i> n'est pas allumée	Pas d'alimentation électrique.	Vérifier l'alimentation électrique.
	Déclenchement du fusible.	Contactez la société Maschinenfabrik Reinhausen GmbH.
Aucune fonction – La DEL <i>AVR ÉTAT</i> n'est pas allumée	Erreur de configuration	Contactez la société Maschinenfabrik Reinhausen GmbH.
Claquement relais	Contrainte CEM élevée.	Utilisez des câbles blindés ou des filtres externes.
	Mise à la terre incorrecte.	Vérifiez la mise à la terre fonctionnelle.

Tableau 6: Dérangements généraux

7.2 Interface homme-machine

Manifestation/Détail	Cause	Solution
Affichage – Aucun affichage.	Alimentation électrique interrompue.	Vérifier l'alimentation électrique.
	Fusible défectueux.	Contactez la société Maschinenfabrik Reinhausen.
Aucun établissement de connexion à la visualisation possible	Câble de raccordement défectueux.	Vérifiez le câble de raccordement.
	Cryptage SSL actif.	Acceptez le certificat SSL dans le navigateur.
		Appelez l'adresse IP avec <code>https://</code> .
		Désactivez le cryptage SSL.
Le PC ne se trouve pas dans le même sous-réseau que la visualisation.	Vérifiez ou corrigez, si nécessaire, les adresses IP de l'appareil et de l'ordinateur.	
Erreur d'affichage de la visualisation dans le navigateur Web.	Accès à la visualisation à l'aide du navigateur Web suite à une mise à jour du logiciel.	Supprimez le cache du navigateur Web.

Tableau 7: Interface homme-machine

7.3 Autres défauts

En l'absence de solution à un défaut, contactez Maschinenfabrik Reinhausen. Tenez prêtes les informations suivantes :

- Numéro de série
 - Plaque signalétique
- Version du logiciel

Préparez-vous à répondre aux questions suivantes :

- Y a-t-il eu une mise à jour du logiciel ?
- Avez-vous rencontré des problèmes avec cet appareil par le passé ?
- Avez-vous déjà contacté Maschinenfabrik Reinhausen à ce sujet ? Si oui, qui fut votre interlocuteur ?

Service technique

Maschinenfabrik Reinhausen GmbH

Technischer Service

Postfach 12 03 60

93025 Regensburg

Deutschland

Téléphone : +49 94140 90-0

E-mail : service@reinhausen.com

Internet : www.reinhausen.com

Vous trouverez un aperçu des services disponibles pour le produit dans le portail clients : <https://portal.reinhausen.com>

8 Caractéristiques techniques

8.1 Éléments d'affichage

Écran	Affichage couleur 5" TFT
DEL	3 DEL témoins de service et d'affichage de messages - MARCHE/ARRÊT, ÉTAT AVR, ALARME - AUGMENTER, DIMINUER, AUTO, MANUEL, À DISTANCE

8.2 Matériaux

TAPCON® 230	
Face avant	Aluminium, plastique
Bac/Face arrière	Acier inoxydable
Boîtier (en option)	Plastique

8.3 Dimensions

TAPCON® 230 l x h x P	218 mm x 324 mm x 130 mm (8,58 in x 12,76 in x 5,12 in) (sans contre-fiche) Contre-fiche 20 mm (0,79 in)
TAPCON® 230 avec boîtier (en option) l x H x P	Total : 500 mm x 500 mm x 300 mm (19,69 in x 19,69 in x 11,81 in) Hauteur avec attache murale : 521,3 mm (20,52 in)

8.4 Alimentation électrique

Plage de tension admissible	85...265 VCA/VCC U _N : 100...240 VCA U _N : 100...240 VCC
Puissance absorbée nominale max.	25 W
Plage de fréquence admissible	50/60 Hz
Catégorie de surtension	OC III
Tension d'essai au choc	5 kV, 1,2µs/50µs (CEI 60255-27)
Fusible interne	250 VAC, 1,25 A, 5 x 20 mm, caractéristique T (inerte), pouvoir de coupure H (min. 1500 A), température de fonctionnement -30 °C...+100 °C)

Tableau 8: Alimentation électrique

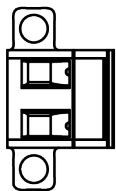
Interface	Broche	Description
	2	L
	1	N

Tableau 9: Raccordement X9

Alimentation en courant auxiliaire AUX DC DI 110 V CC pour entrées numériques



L'alimentation en courant auxiliaire sert exclusivement à la saisie de 16 contacts sans potentiel maximum.

Tension de sortie	U_N : 110V CC \pm 2% (protégée contre les courts-circuits)
Puissance de sortie maximale	5 W
Catégorie de surtension	OC III
Tension d'essai au choc	5 kV, 1,2 μ s/50 μ s (CEI 60255-27)
Fusible	250 VAC, 0,08 A, 5 x 20 mm, caractéristique TT (super inerte), pouvoir de coupure L (min. 35 A), température de fonctionnement -30 °C...+85 °C)

Tableau 10: Alimentation en courant auxiliaire

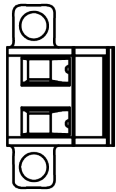
Interface	Broche	Description
	2	L
	1	N

Tableau 11: Raccordement X8

8.5 Mesure de la tension et mesure du courant

Mesure de la tension TAPCON® 230 basic/pro/expert

Plage de mesure	20...197 VCA
Tension nominale U_N	100 VCA
Précision	$< \pm 0,3\% \times U_N$ dans la plage de température de service
Catégorie de mesure (CEI 61010-2-30)	CAT III pour une altitude de 3 000 m
Surtension permanente	550 VCA
Tension d'essai au choc	5 kV, 1,2 μ s / 50 μ s (CEI 60255-27)

Mesure de la tension TAPCON® 230 AVT

Plage de mesure (commutable)	132...280 VCA	228...510 VCA
Tension nominale U_N	230 VCA	400 VCA
Précision	$< \pm 0,3 \% \times U_N$ dans la plage de température de service	
Catégorie de mesure (CEI 61010-2-30)	CAT III pour une altitude de 2 000 m CAT II pour une altitude de 3 000 m	
Surtension permanente	550 VCA	
Tension d'essai au choc	5 kV, 1,2 μ s / 50 μ s (CEI 60255-27)	

Mesure du courant

Fréquence	45...65 Hz
Courant nominal I_N	1 A ou 5 A (commutable)
Précision	$< \pm 0,5 \% \times U_N$ dans la plage de température de service
Charge	$< 0,1$ VA
Capacité de surcharge permanente	12,5 A
Capacité de surcharge temporaire	500 A / 1 s
Tension d'essai au choc	5 kV, 1,2 μ s / 50 μ s (CEI 60255-27)

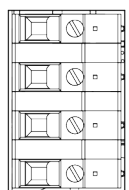
Interface	Broche	Description
	4	N Transformateur de tension (U_N : 100/230/400 V CA)
	3	L Transformateur de tension
	2	I Transformateur d'intensité
	1	k Transformateur d'intensité

Tableau 12: Raccordement UI:X7

8.6 Unité de calcul centrale

Processeur	ARM Cortex A9 Processor 800 MHz
Mémoire RAM	512 Mo
NVRAM (SRAM avec accumulateur tampon)	256 ko
Mémoire d'application	2 Go
Sorties de relais numériques	2 ; à séparation galvanique
Tension nominale	CC 24/48/60 V
Courant permanent	1 A (charge ohmique)
Puissance de coupure max.	30 W
Tension assignée de tenue aux chocs	2,0 kV

Réponse du relais Watchdog/Error :

	Relais Error	Relais Watchdog
Power	OFF	OFF
Démarrage	ON	OFF
Ready (pas d'erreur en attente)	OFF	ON
Ready (erreur en attente)	ON	ON

ON : le relais est excité

OFF : le relais est désexcité

Interfaces

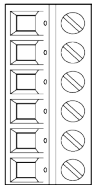
Interface	Broche	Description
	6	ER_NO
	5	ER_NC
	4	ER_COM
	3	WD_NO
	2	WD_NC
	1	WD_COM

Tableau 13: Borne enfichable CPU:X1

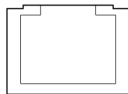
Interface X2, X3	Broche	Description
	8	NF
	7	NF
	6	RXD-
	5	NF
	4	NF
	3	RXD+
	2	TXD-
	1	TXD+

Tableau 14: Interface Ethernet CPU:X2/X3

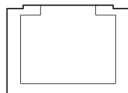
Interface X4	Broche	Description
	8	NF
	7	NF
	6	Masse
	5	NF
	4	NF
	3	NF
	2	TXD+/RXD+
	1	TXD-/RXD-

Tableau 15: Interface série RS485 CPU:X4


Interface X5	Broche	Description
	8	DTR (O)
	7	DCD (I)
	6	Masse
	5	RXD (I)
	4	TXD (O)
	3	VCC/OUT 5V/12V
	2	RTS (O)
	1	CTS (I)

Tableau 16: Interface série RS232 CPU:X5

8.7 Entrées numériques

	DI 16-110 V	DI 16-220V Disponible seulement pour les variantes TAPCON® 230 Basic, Pro et Expert.
Entrées (à séparation galvanique par connecteur)	2 x 8	
Tension nominale	110 VCC	220 VCC
Tension de service max.	143 VCC	253 VCC 253 VCA
Logique 0	≤ 55 VCC	≤ 110 V
Logique 1	≥ 82,5 VCC	≥ 165 V
Courant d'entrée	0,9 mA	0,6 mA
Facteur de simultanéité (à une température ambiante de 65 °C)	13 entrées max.	

Tableau 17: Caractéristiques techniques DI 16-110V et DI 16-220V

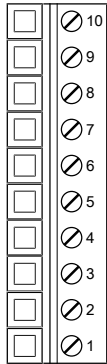
Interface	Broche	Description
	10	Référence commune (Common)
	9	Référence commune (Common)
	8	Entrée 7
	7	Entrée 6
	6	Entrée 5
	5	Entrée 4
	4	Entrée 3
	3	Entrée 2
	2	Entrée 1
	1	Entrée 0

Tableau 18: Connecteur X1 (groupe 0)

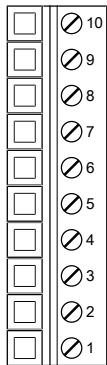
Interface	Broche	Description
	10	Référence commune (Common)
	9	Référence commune (Common)
	8	Entrée 17
	7	Entrée 16
	6	Entrée 15
	5	Entrée 14
	4	Entrée 13
	3	Entrée 12
	2	Entrée 11
	1	Entrée 10

Tableau 19: Connecteur X2 (groupe 1)

8.8 Sorties numériques

	DO 8
Sorties (par connecteur à séparation galvanique)	8 relais 4 groupes par module
Tension de commutation	CC : 24 V, 48 V, 60 V, 110 V, 220 V CA : 110 V, 230 V
Capacité de charge des contacts	Min. : 5 VCC, 10 mA CC max. : voir le diagramme CA max. : 250 V ; 3 A (8 sorties actives) ou 5 A (4 sorties actives)

Tableau 20: Caractéristiques techniques du module DO 8

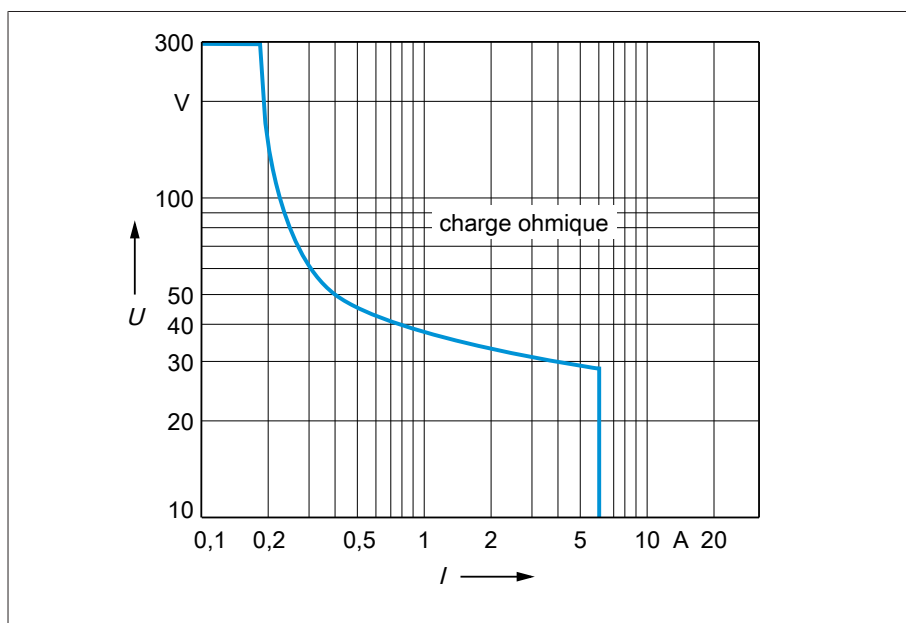


Figure 43: Capacité de charge des sorties numériques en cas de charge ohmique

⚠ ATTENTION !



Choc électrique !

Les sorties du module DO sont à séparation galvanique par connecteur. Un mélange de plages de tension (par ex. très basse tension et basse tension) ou de différentes phases à l'intérieur d'un connecteur peut réduire la protection contre les chocs électriques.

- > Utilisez des plages de tension identiques à l'intérieur d'un connecteur.
- > Utilisez la même phase à l'intérieur d'un connecteur.

Interface	Broche	Description
	4	Référence commune (Common) sortie 1
	3	Référence commune (Common) sortie 0
	2	Sortie 1
	1	Sortie 0

Tableau 21: Connecteur X1 (groupe 0)

Interface	Broche	Description
	4	Référence commune (Common) sortie 3
	3	Référence commune (Common) sortie 2
	2	Sortie 3
	1	Sortie 2

Tableau 22: Connecteur X2 (groupe 1)

Interface	Broche	Description
	4	Référence commune (Common) sortie 5
	3	Référence commune (Common) sortie 4
	2	Sortie 5
	1	Sortie 4

Tableau 23: Connecteur X3 (groupe 2)

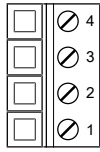
Interface	Broche	Description
	4	Référence commune (Common) sortie 7
	3	Référence commune (Common) sortie 6
	2	Sortie 7
	1	Sortie 6

Tableau 24: Connecteur X4 (groupe 3)

8.9 Entrées analogiques

	AI 4
Entrées (à séparation galvanique)	4 x 1
Plage de mesure	0...20 mA, surintensité env. 20 % 0...10 V, surtension env. 30 %
Précision	0,15 % à 25° C Courant 0,2 % à 0...50° C 0,3 % à -20...70° C 0,4 % à -40...70° C Tension 0,4 % à 0...50° C 0,5 % à -20...70° C 0,6 % à -40...70° C
Impédance d'entrée	52 Ω à 0...20 mA 20,5 kΩ à 0...10 V

Tableau 25: Caractéristiques techniques du module AI 4

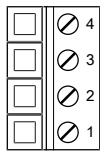
Interface	Broche	Description
	4	V0 U- entrée de tension
	3	V0 I- entrée de courant
	2	V0 I+ sortie de courant
	1	V0 U+ sortie de tension

Tableau 26: Connecteur X1 (groupe 0)

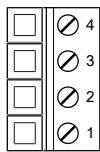
Interface	Broche	Description
	4	V1 U- entrée de tension
	3	V1 I- entrée de courant
	2	V1 I+ sortie de courant
	1	V1 U+ sortie de tension

Tableau 27: Connecteur X2 (groupe 1)

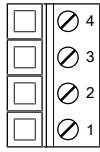
Interface	Broche	Description
	4	V2 U- entrée de tension
	3	V2 I- entrée de courant
	2	V2 I+ sortie de courant
	1	V2 U+ sortie de tension

Tableau 28: Connecteur X3 (groupe 2)

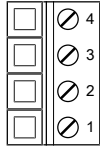
Interface	Broche	Description
	4	V3 U- entrée de tension
	3	V3 I- entrée de courant
	2	V3 I+ sortie de courant
	1	V3 U+ sortie de tension

Tableau 29: Connecteur X4 (groupe 3)

8.10 Interfaces de communication

Description	Module pour la conversion des interfaces et médias
Interfaces	1x RS232/RS485 (RJ45) : COM-X1 2x Ethernet (RJ45) : COM-X2, COM-X5 1x RS232 (DSub) : COM-X3 1x Duplex-LC (SFP) : COM-X4 1x borne enfichable 10 pôles : COM-X6
COM-X1 Disponible seulement pour les variantes TAPCON® 230 Pro, Expert et AVT.	Interface système interne pour la connexion de l'interface COM-X6 à l'unité centrale (CPU)
COM-X2	Interface système interne pour la connexion de l'interface frontale à l'unité centrale (CPU)
COM-X3 Disponible seulement pour les variantes TAPCON® 230 Expert et AVT.	Interface série SCADA RS232 – Prise femelle D-SUB à 9 pôles
COM-X4 Disponible seulement pour les variantes TAPCON® 230 Expert et AVT.	Module SFP pour la conversion d'Ethernet (RJ45) vers la fibre optique pour SCADA – 2000 m max. – 100 Mbit/s – Diode électroluminescente : classe 1 – Longueur d'onde : 1310 nm – Puissance de sortie optique max. : <1 mW (conformément à CEI 60825-1:2014)

COM-X5 Disponible seulement pour les variantes TAPCON® 230 Expert et AVT.	Raccordement Ethernet pour SACAD
COM-X6 Disponible seulement pour les variantes TAPCON® 230 Pro, Expert et AVT.	Borne enfichable à 10 pôles <ul style="list-style-type: none"> - Saisie de la position de prise via la rangée de contacts potentiométrique - Bus CAN - Interface série SCADA RS485 - À séparation galvanique

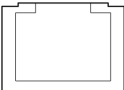
Interface	Broche	Description
	1	CTS (I) (RS232) ; TXD-/RXD- (RS485)
	2	RTS (O) (RS232) ; TXD+/RXD+ (RS485)
	3	VCC/OUT 5V/12V (RS232)
	4	TXD (O) (RS232)
	5	RXD (I) (RS232)
	6	Masse
	7	DCD (I) (RS232)
	8	DTR (O) (RS232)

Tableau 30: COM-X1 (RS232/RS485)

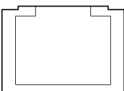
Interface	Broche	Description
	1	TxD+
	2	TxD-
	3	RxD+
	4	NF
	5	NF
	6	RxD-
	7	NF
	8	NF

Tableau 31: COM-X2, COM-X5 (RJ45)

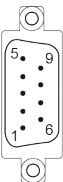
Interface	Broche	Description
	2	RxD
	3	TxD
	5	Masse

Tableau 32: COM-X3 (RS232)

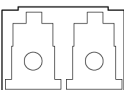
Interface	Description
	Fibre de verre 50/125 et 62,5/125 multimode

Tableau 33: COM-X4 (Duplex-LC SFP)

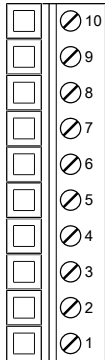
Interface	Broche	Description
	1	GND (rangée de contacts potentiométrique)
	2	I out (rangée de contacts potentiométrique)
	3	U+ in (rangée de contacts potentiométrique)
	4	U- in (rangée de contacts potentiométrique)
	5	Data - (RS485)
	6	GND (RS485)
	7	Data + (RS485)
	8	CAN-L (bus CAN)
	9	CAN-GND (bus CAN)
	10	CAN-H (bus CAN)

Tableau 34: COM-X6

8.11 Saisie de la position de prise/Rangée de contacts potentiométrique

Séparation galvanique	Tension d'essai tension de tenue : 500 V _{eff} ; 50 Hz ; 1 min
Saisie de la position de prise	35 prises, 2000 ohms

8.12 Conditions ambiantes

Température de service	-25...+70° C
Température de stockage	-30...+85° C (avec pile)
Humidité relative	5...95 % sans condensation
Degré d'encrassement	2
Classe de protection	I
Degré de protection	À l'avant : IP54 À l'arrière : IP20 Avec boîtier en option : IP56
Hauteur d'utilisation maximale	3 000 m au-dessus du niveau de la mer
Distance minimale par rapport aux autres appareils/à l'armoire électrique	Haut/bas : 88,9 mm (3,5 pouces ; correspond à 2 HE), arrière 30 mm (1,2 pouces)

Tableau 35: Conditions ambiantes admissibles

8.13 Normes et directives

Compatibilité électromagnétique	CEI 61000-6-2, CEI 61000-6-4, CEI 61000-6-5 EN 60255-26 KN 61000-6-2, KN 61000-6-4 FCC 47 CFR Part 15 B ICES-003
Sécurité électrique	CEI 61010-1 CEI 61010-2-201 CEI 61010-2-030 EN 61010-1 UL 61010-1 CAN/CSA-C22.2 No. 61010-1
Relais de mesure et dispositifs de protection	CEI 60255-1:2009 chapitres 6.10.1, 6.10.2 et 6.10.4 CEI 60255-27:2013 chapitres 10.6.4.2, 10.6.4.3, 10.6.4.4 et 10.6.5.3
Conditions climatiques ambiantes	CEI 60068-2-1 (-25°C ; 96h) froid CEI 60068-2-2 (+70°C ; 96h) chaleur sèche CEI 60068-2-78 (+40°C / 93% H. rel., 96h) chaleur humide, constante CEI 60068-2-30 (+55°C, 6 cycles 12 + 12 heures) chaleur humide, cyclique
Vérification du degré de protection	CEI 60529
Tests de durabilité pour l'environnement	CEI 60255-21-1 vibrations Classe 1 (3 cycles , 0,5g accélération 1 octave/min ou 60 cycles, 1,0g accélération, 1 octave/min)
	CEI 60255-21-2 chocs Classe 1 (durée 11ms, 5g ou 15g accélération, nbre d'axes 3)
	CEI 60255-21-3 tremblement de terre Classe 1 (fréquence 1-35Hz, 3,5mm/1g accélération horiz., 1,5mm/0,5g accélération vert., 1 octave/min, durée 10 min/axe)
	CEI 60068-2-6 vibrations sinusoïdales
	CEI 60068-2-27 chocs

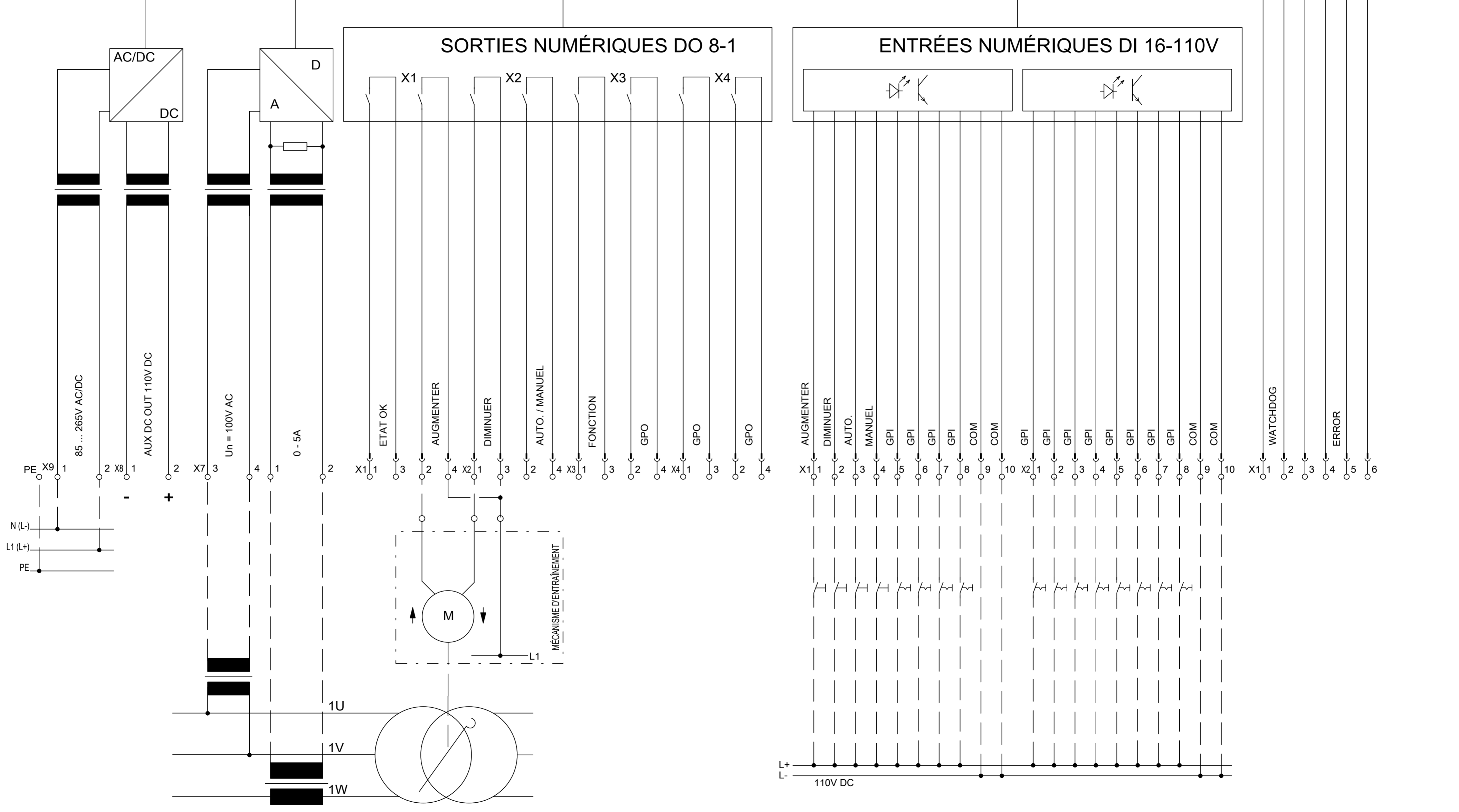
Tableau 36: Normes et directives

8.14 Schémas de raccordement

Voir également

- 📄 TAPCON® 230 Basic (DI 16-110 V) [► 299]
- 📄 TAPCON® 230 Basic (DI 16-220 V) [► 301]
- 📄 TAPCON® 230 Pro (DI 16-110 V) [► 303]
- 📄 TAPCON® 230 Pro (DI 16-220 V) [► 306]
- 📄 TAPCON® 230 Expert (DI 16-110 V) [► 309]
- 📄 TAPCON® 230 Expert (DI 16-220 V) [► 312]
- 📄 TAPCON® 230 AVT [► 315]

TAPCON® 230 - BASIC



Fuer diese technische Unterlage behalten wir uns gemäss
DIN 34 Abschnitt 2.1 und 2.2 alle Rechte vor.

DRAWING BY CAD
DO NOT MODIFY MANUALLY

03	X7,X1 connection	29.09.21	LAINER	DATE	22.01.2021
02	DEL BCD	16.09.21	BECK	EXEC.	BECK
01	BCD signals	28.06.21	M Kahn	VERIFIED	AP
NO.	MODIFICATION	DATE	NAME	STANDARD	

ORIGIN	REPL	REPL BY



TAPCON® 230 BASIC

LANGUAGE:
FR

PROJECT:
7870248_03

=	
+	
	SHEET 1
	2 SH.

CUSTOMER

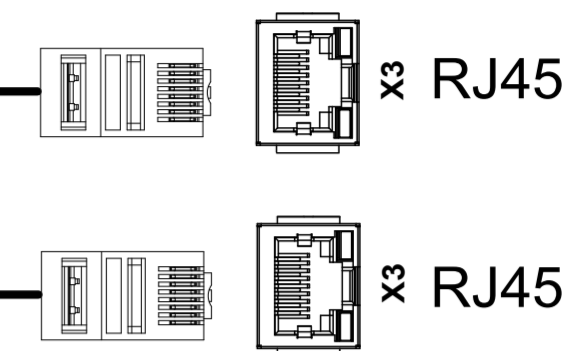
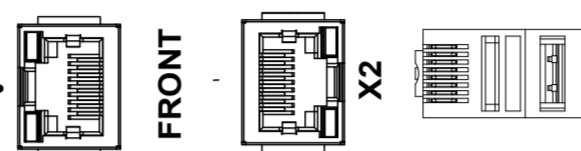
COM

CPU

VISU / SERVICE

RJ45

RJ45



Fuer diese technische Unterlage behalten wir uns gemaess
DIN 34 Abschnitt 2.1 und 2.2 alle Rechte vor.

DRAWING BY CAD
DO NOT MODIFY MANUALLY

03	X7,X1 connection	29.09.21	LAINER	DATE	22.01.2021
02	DEL BCD	16.09.21	BECK	EXEC.	BECK
01	BCD signals	28.06.21	M Kahn	VERIFIED	AP
NO.	MODIFICATION	DATE	NAME	STANDARD	

ORIGIN	REPL	REPL BY
--------	------	---------



TAPCON® 230 BASIC

LANGUAGE:
FR

PROJECT:
7870248_03

=
+
SHEET 2
2 SH

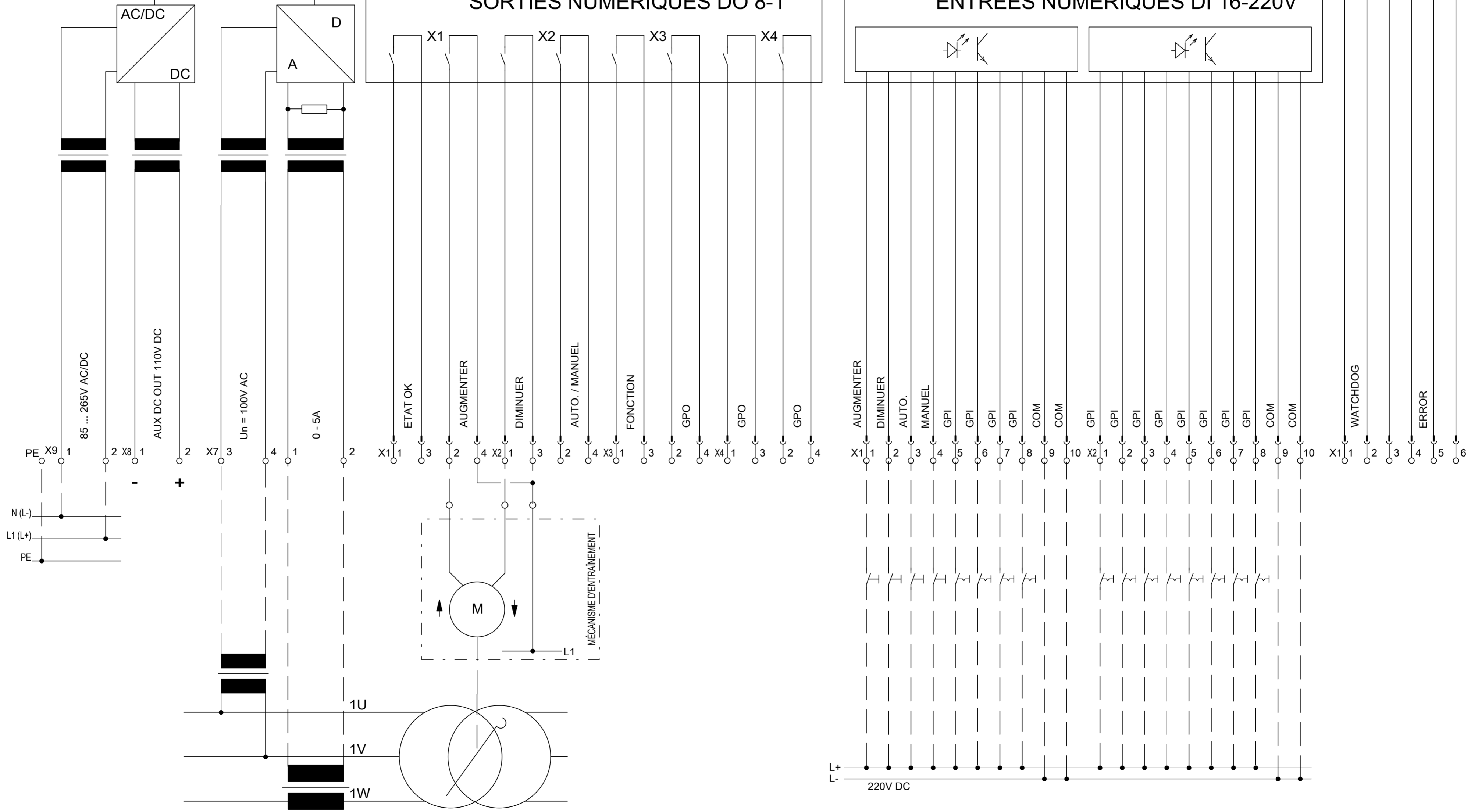
TAPCON® 230 - BASIC

ALIMENTATION DE LA TENSION

UNITÉ CENTRALE DE CALCUL

SORTIES NUMÉRIQUES DO 8-1

ENTRÉES NUMÉRIQUES DI 16-220V



Fuer diese technische Unterlage behalten wir uns gemäss
DIN 34 Abschnitt 2.1 und 2.2 alle Rechte vor.

DRAWING BY CAD
DO NOT MODIFY MANUALLY

DATE	06.09.2022						
EXEC.	BECK						
VERIFIED	AP						
NO.	MODIFICATION	DATE	NAME	STANDARD	ORIGIN	REPL	REPL BY

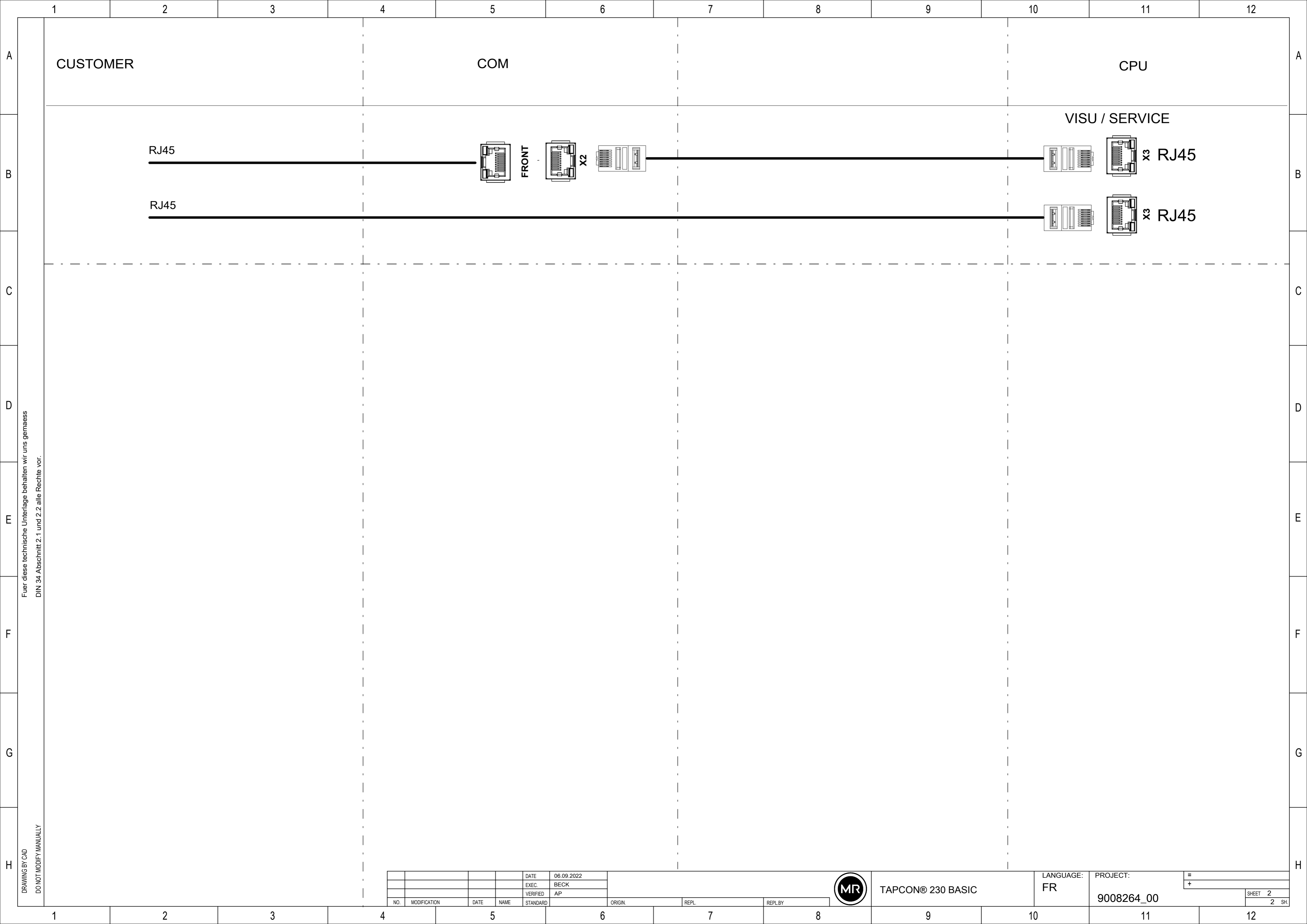


TAPCON® 230 BASIC

LANGUAGE:
FR

PROJECT:
9008264_00

=	
+	
SHEET	1
	2 SH.



Fuer diese technische Unterlage behalten wir uns gemaess
DIN 34 Abschnitt 2.1 und 2.2 alle Rechte vor.

DRAWING BY CAD
DO NOT MODIFY MANUALLY

				DATE	06.09.2022		
				EXEC.	BECK		
				VERIFIED	AP		
NO.	MODIFICATION	DATE	NAME	STANDARD	ORIGIN	REPL	REPL BY



TAPCON® 230 BASIC

LANGUAGE:
FR

PROJECT:
9008264_00

=
+
SHEET 2
2 SH

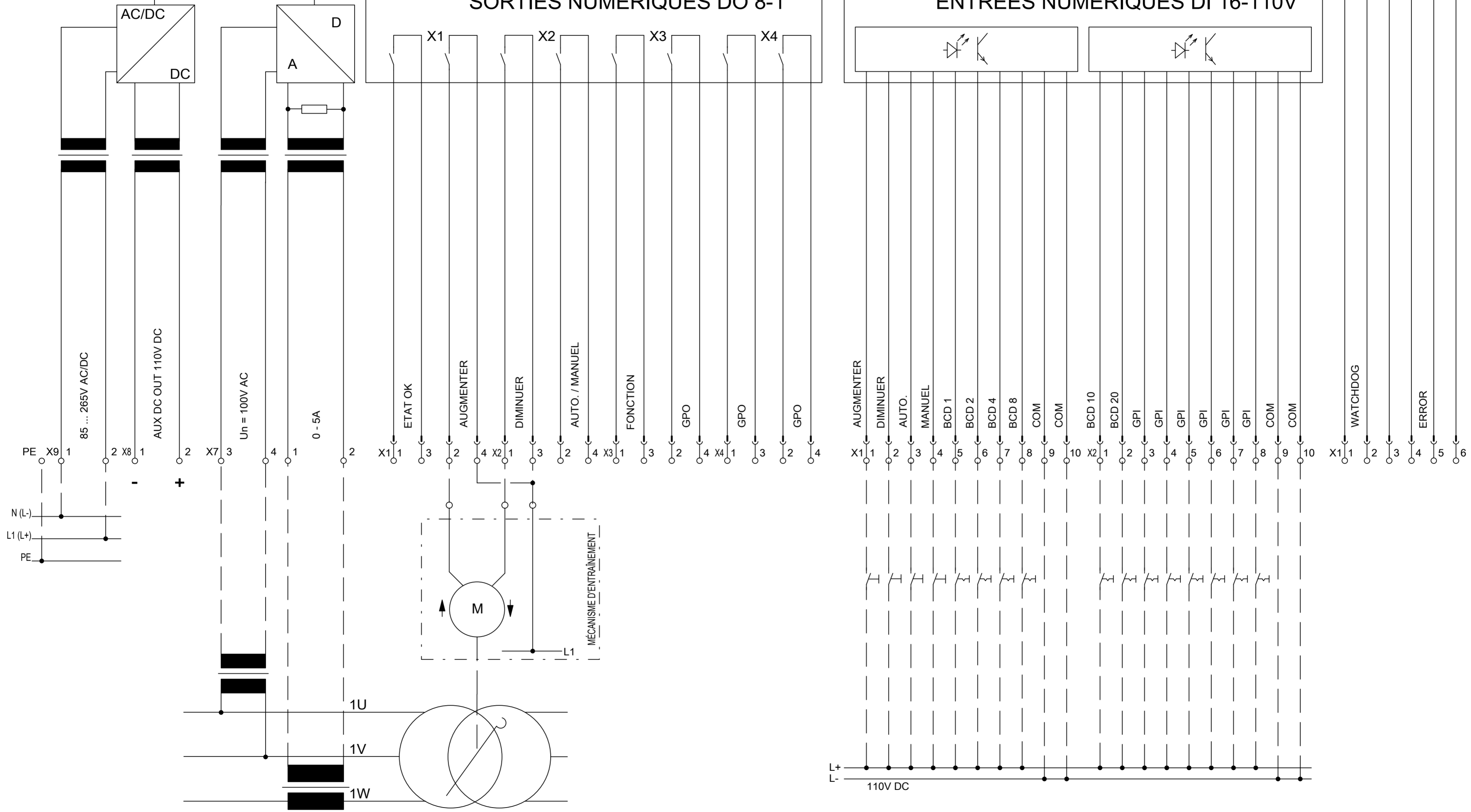
TAPCON® 230 - PRO

ALIMENTATION DE LA TENSION

UNITÉ CENTRALE DE CALCUL

SORTIES NUMÉRIQUES DO 8-1

ENTRÉES NUMÉRIQUES DI 16-110V



Fuer diese technische Unterlage behalten wir uns gemäss
DIN 34 Abschnitt 2.1 und 2.2 alle Rechte vor.

DRAWING BY CAD
DO NOT MODIFY MANUALLY

02	X7, X1 connection	29.09.21	Lainer	DATE	22.01.2021
01	BCD signals	29.06.21	M Kahn	EXEC.	BECK
				VERIFIED	AP
NO.	MODIFICATION	DATE	NAME	STANDARD	

ORIGIN	REPL	REPL BY



TAPCON® 230 PRO

LANGUAGE:
FR

PROJECT:
7870262_02

=	
+	
	SHEET 1
	3 SH.

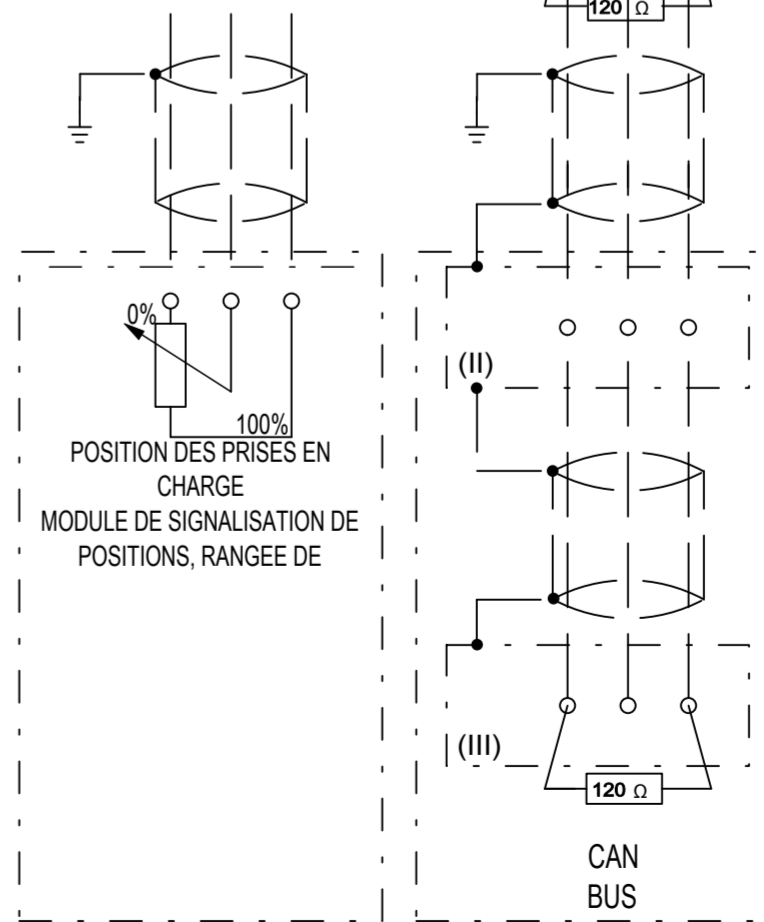
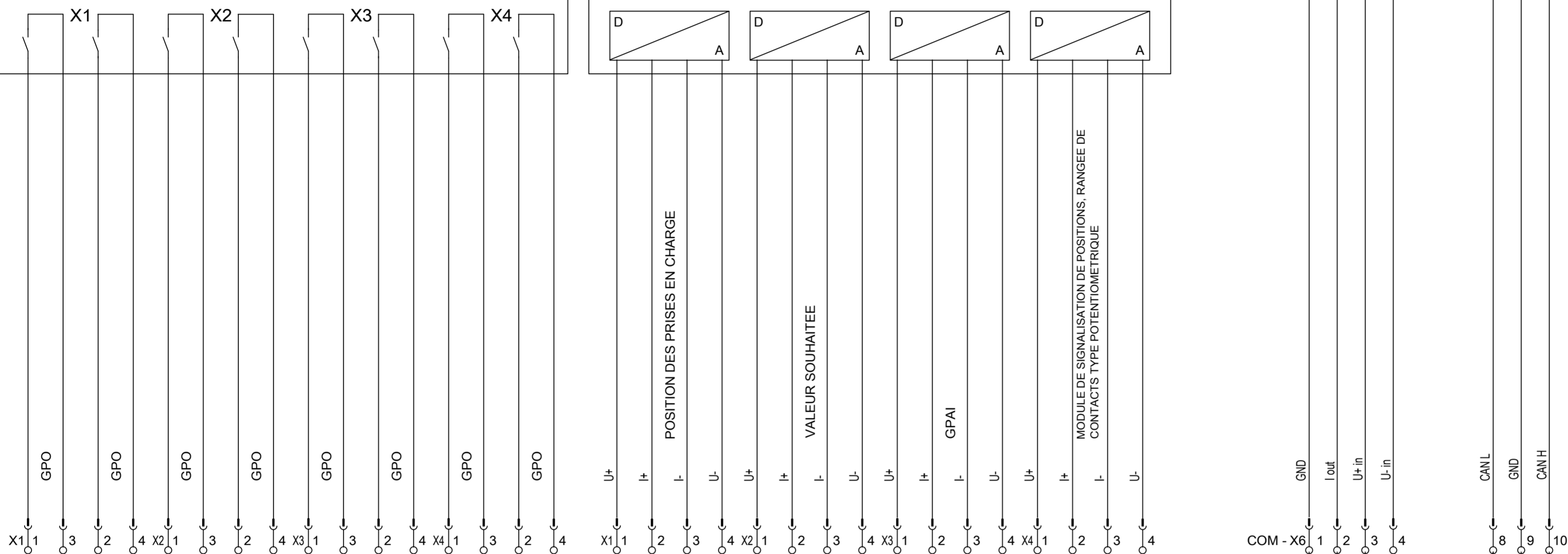
TAPCON® 230 - PRO

UNITÉ CENTRALE DE CALCUL

COM

SORTIES NUMÉRIQUES DO 8-2

ENTRÉES ANALOGIQUES AI 4



Fuer diese technische Unterlage behalten wir uns gemaess DIN 34 Abschnitt 2.1 und 2.2 alle Rechte vor.

DRAWING BY CAD
DO NOT MODIFY MANUALLY

02	X7.X1 connection	29.09.21	Lainer	DATE	22.01.2021
01	BCD signals	29.06.21	M Kahn	EXEC.	BECK
				VERIFIED	AP
NO.	MODIFICATION	DATE	NAME	STANDARD	ORIGIN
					REPL
					REPL BY



TAPCON® 230 PRO

LANGUAGE: FR

PROJECT: 7870262_02

=	
+	
	SHEET 2
	3 SH.

CUSTOMER

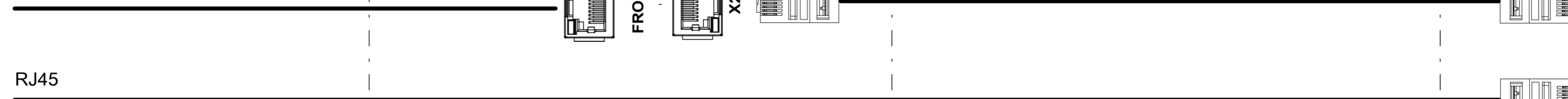
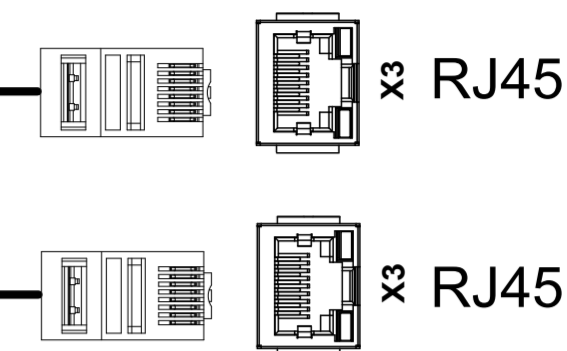
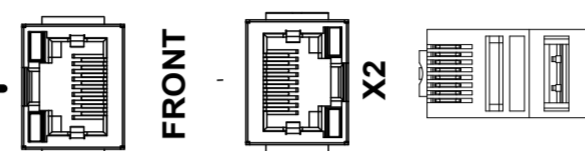
COM

CPU

VISU / SERVICE

RJ45

RJ45



Fuer diese technische Unterlage behalten wir uns gemaess
DIN 34 Abschnitt 2.1 und 2.2 alle Rechte vor.

DRAWING BY CAD
DO NOT MODIFY MANUALLY

02	X7.X1 connection	29.09.21	Lainer	EXEC.	BECK
01	BCD signals	29.06.21	M Kahn	VERIFIED	AP
NO.	MODIFICATION	DATE	NAME	STANDARD	

DATE	22.01.2021
ORIGIN	
REPL	
REPL BY	



TAPCON® 230 PRO

LANGUAGE:
FR

PROJECT:
7870262_02

=	
+	
SHEET	3
	3 SH.

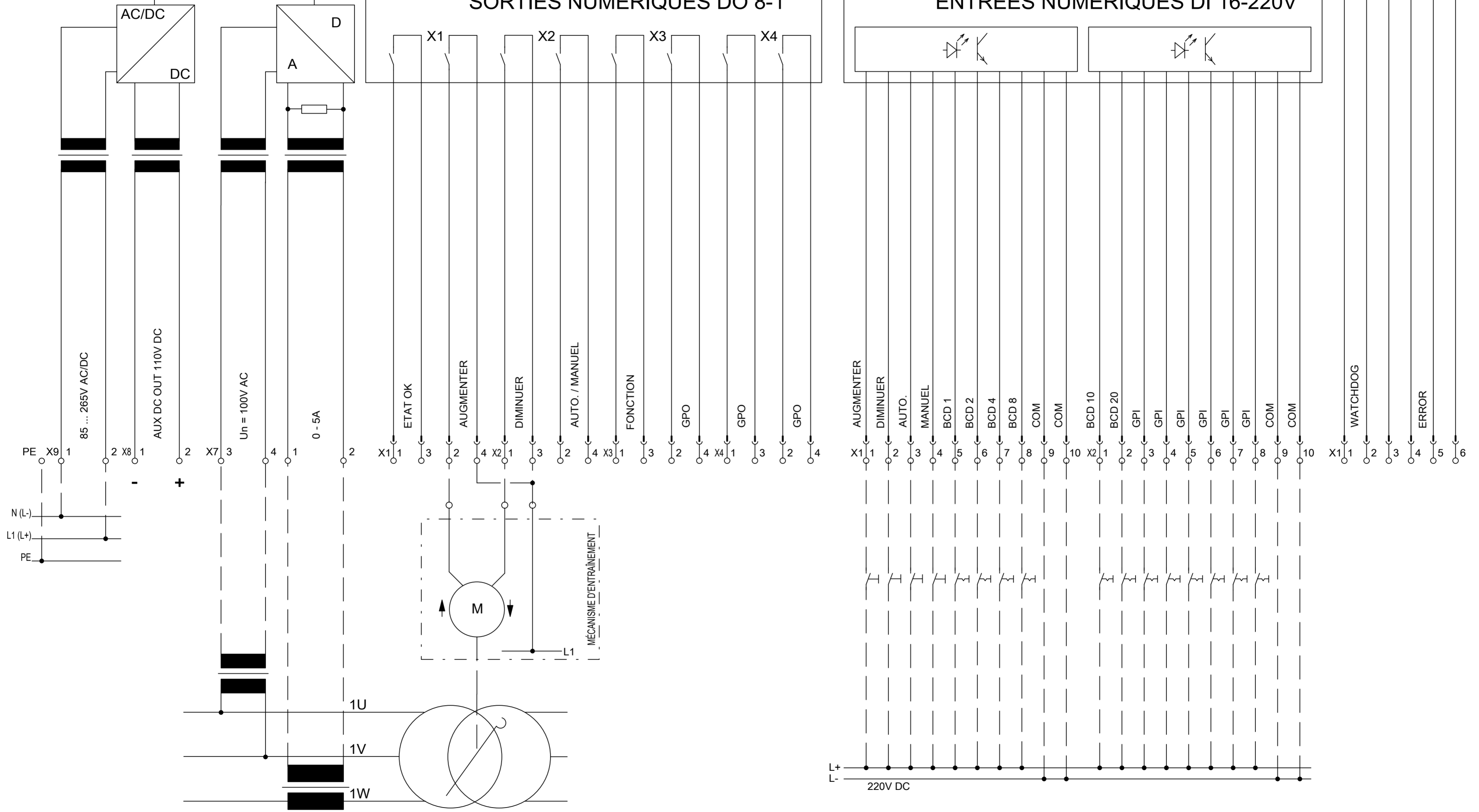
TAPCON® 230 - PRO

ALIMENTATION DE LA TENSION

UNITÉ CENTRALE DE CALCUL

SORTIES NUMÉRIQUES DO 8-1

ENTRÉES NUMÉRIQUES DI 16-220V



Fuer diese technische Unterlage behalten wir uns gemäss
DIN 34 Abschnitt 2.1 und 2.2 alle Rechte vor.

DRAWING BY CAD
DO NOT MODIFY MANUALLY

DATE	06.09.2022						
EXEC.	BECK						
VERIFIED	AP						
NO.	MODIFICATION	DATE	NAME	STANDARD	ORIGIN	REPL	REPL BY



TAPCON® 230 PRO

LANGUAGE:
FR

PROJECT:
9008278_00

=	
+	
SHEET 1	
3 SH.	

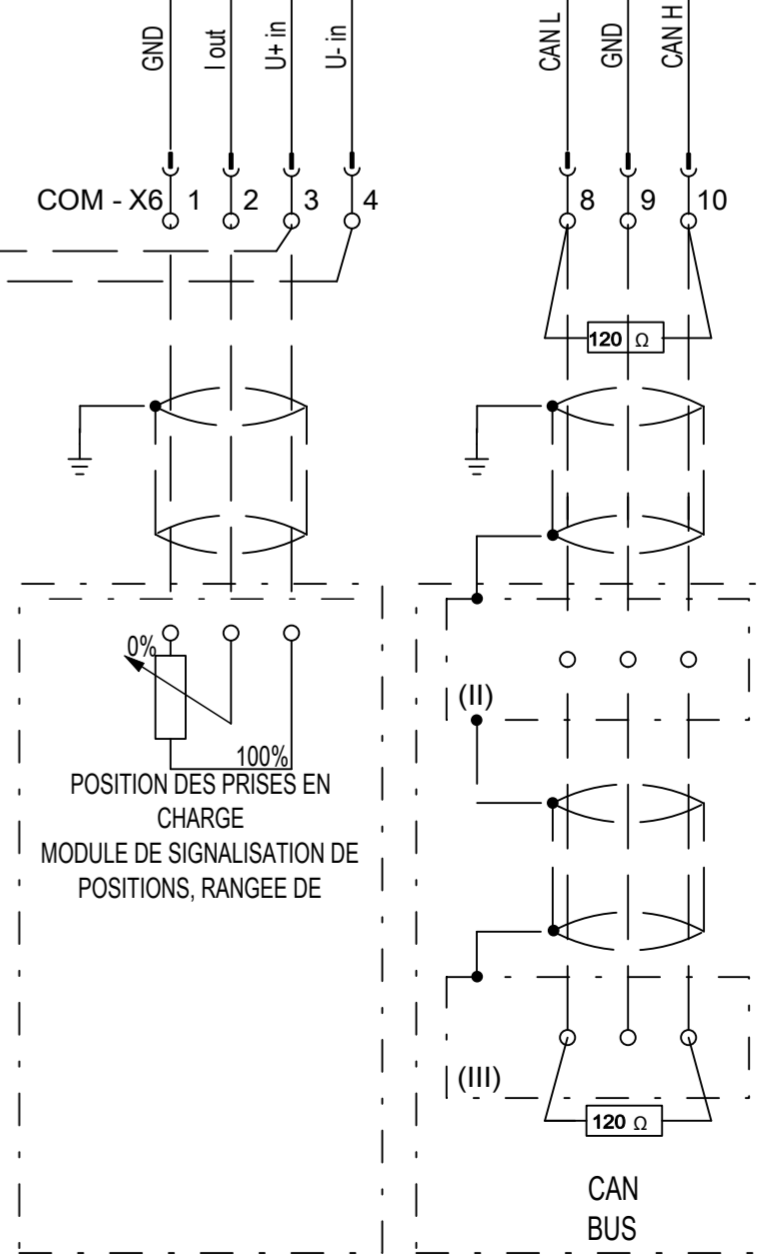
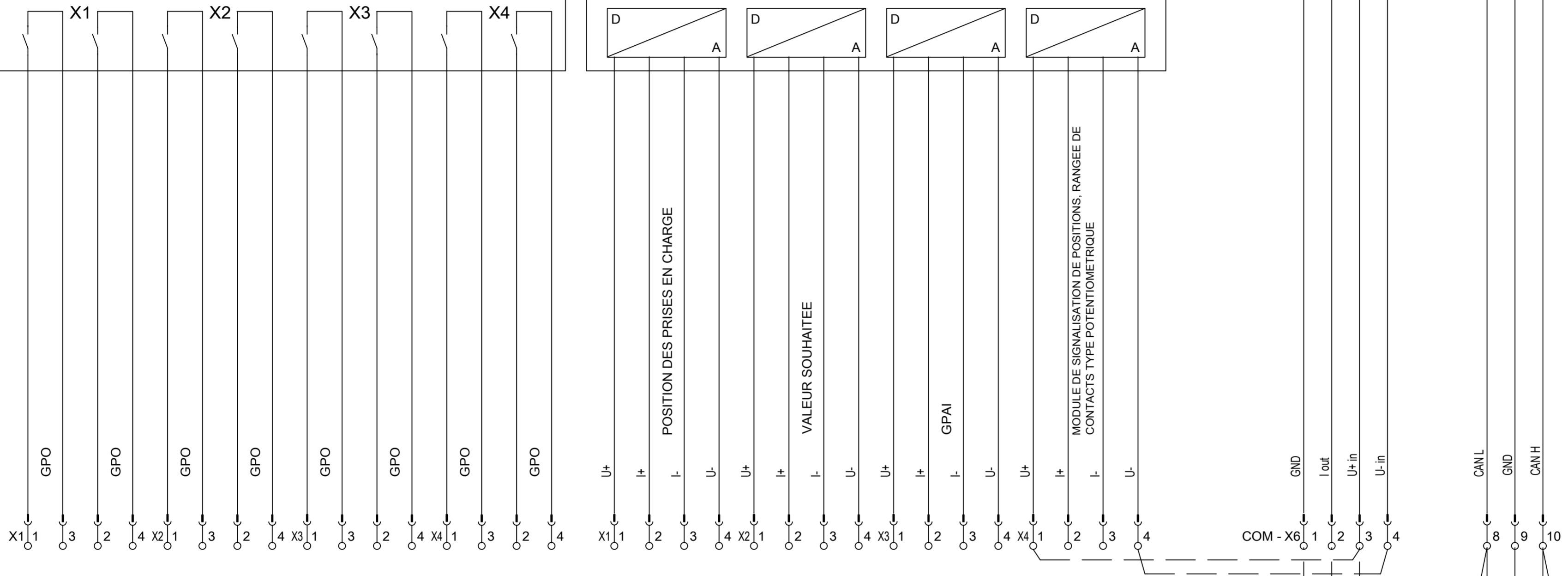
TAPCON® 230 - PRO

UNITÉ CENTRALE DE CALCUL

COM

SORTIES NUMÉRIQUES DO 8-2

ENTRÉES ANALOGIQUES AI 4



Fuer diese technische Unterlage behalten wir uns gemaess
DIN 34 Abschnitt 2.1 und 2.2 alle Rechte vor.

DRAWING BY CAD
DO NOT MODIFY MANUALLY

NO.	MODIFICATION	DATE	NAME	STANDARD	ORIGIN	REPL	REPL BY



TAPCON® 230 PRO

LANGUAGE:
FR

PROJECT:
9008278_00

SHEET 2
3 SH

CUSTOMER

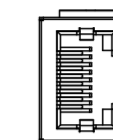
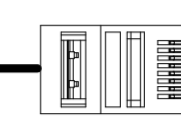
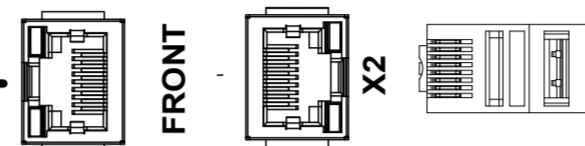
COM

CPU

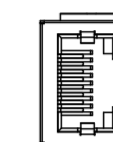
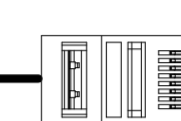
VISU / SERVICE

RJ45

RJ45



x3 RJ45



x3 RJ45

Fuer diese technische Unterlage behalten wir uns gemaess
DIN 34 Abschnitt 2.1 und 2.2 alle Rechte vor.

DRAWING BY CAD
DO NOT MODIFY MANUALLY

				DATE	06.09.2022															
				EXEC.	BECK															
				VERIFIED	AP															
NO.	MODIFICATION	DATE	NAME	STANDARD		ORIGIN		REPL		REPL BY										



TAPCON® 230 PRO

LANGUAGE:
FR

PROJECT:
9008278_00

=	
+	
	SHEET 3
	3 SH.

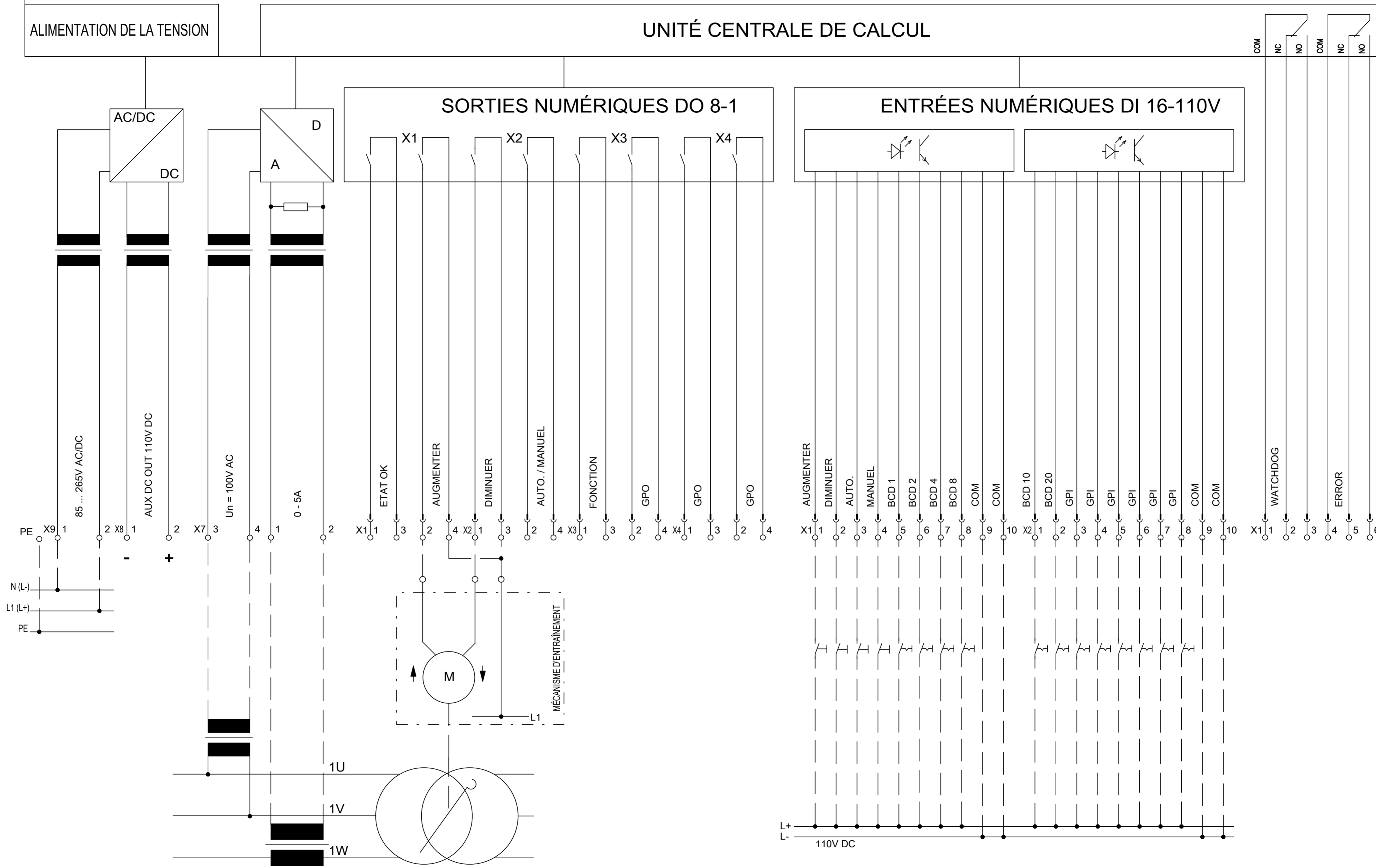
TAPCON® 230 - EXPERT

ALIMENTATION DE LA TENSION

UNITÉ CENTRALE DE CALCUL

SORTIES NUMÉRIQUES DO 8-1

ENTRÉES NUMÉRIQUES DI 16-110V



Fuer diese technische Unterlage behalten wir uns gemäss DIN 34 Abschnitt 2.1 und 2.2 alle Rechte vor.

DRAWING BY CAD
DO NOT MODIFY MANUALLY

02	X7,X1,X6 connection	01.10.21	LAINER	DATE	22.01.21
01	BCD Signal	30.06.21	KAHN	EXEC.	BECK
				VERIFIED	AP
NO.	MODIFICATION	DATE	NAME	STANDARD	

ORIGIN	REPL	REPL BY
--------	------	---------



TAPCON® 230 EXPERT

LANGUAGE:
FR

PROJECT:

7870272_02

=

+

SHEET 1
3 SH.

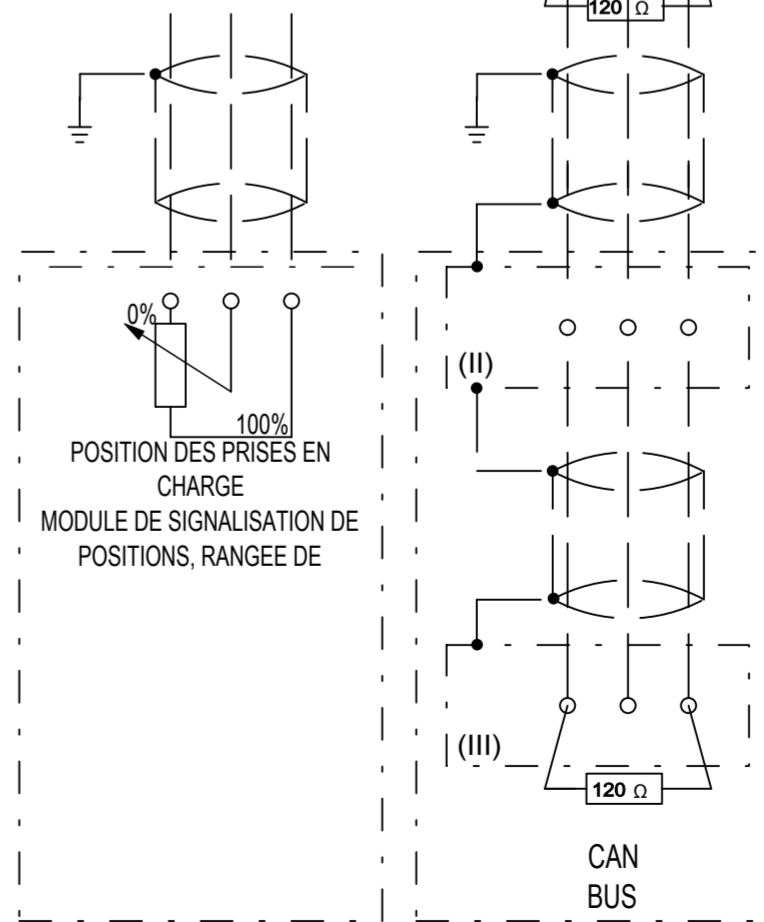
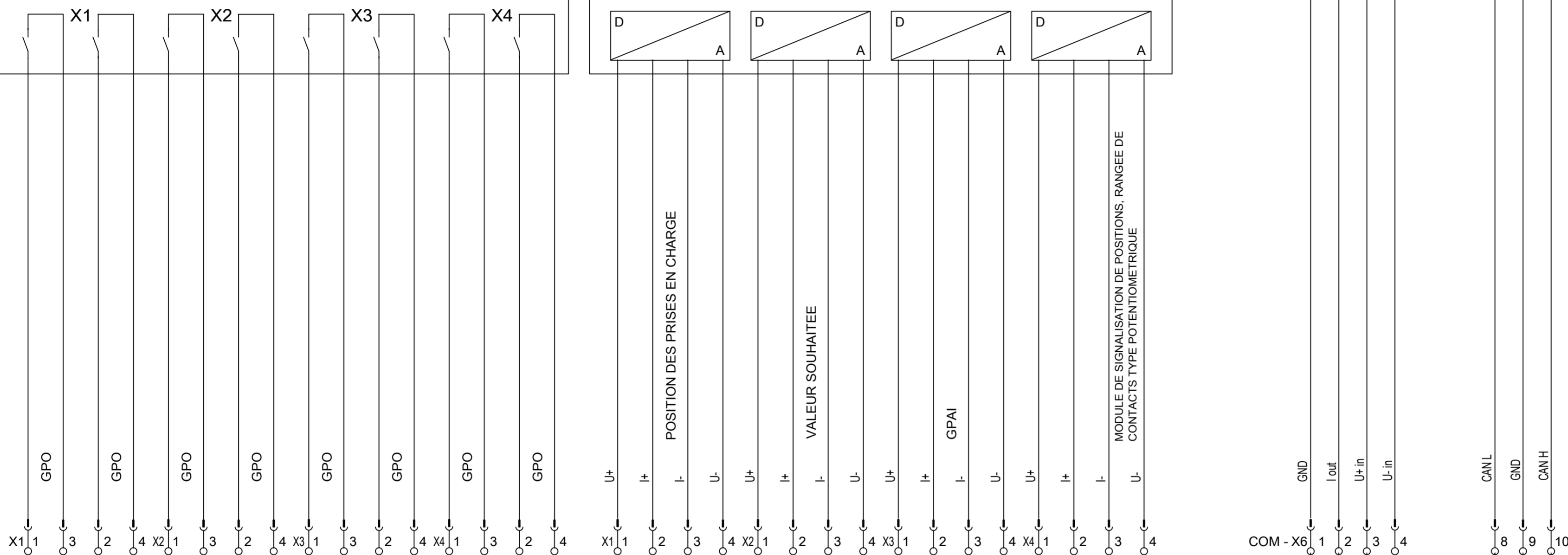
TAPCON® 230 - EXPERT

UNITÉ CENTRALE DE CALCUL

COM

SORTIES NUMÉRIQUES DO 8-2

ENTRÉES ANALOGIQUES AI 4



Fuer diese technische Unterlage behalten wir uns gemaess
DIN 34 Abschnitt 2.1 und 2.2 alle Rechte vor.

DRAWING BY CAD
DO NOT MODIFY MANUALLY

02	X7,X1,X6 connection	01.10.21	LAINER	DATE	22.01.21
01	BCD Signal	30.06.21	KAHN	EXEC.	BECK
				VERIFIED	AP
NO.	MODIFICATION	DATE	NAME	STANDARD	ORIGIN
					REPL
					REPL BY



TAPCON® 230 EXPERT

LANGUAGE:
FR

PROJECT:
7870272_02

=	
+	
	SHEET 2
	3 SH.

CUSTOMER

COM

CPU

VISU / SERVICE

SCADA ETHERNET

SCADA SERIAL

RJ45

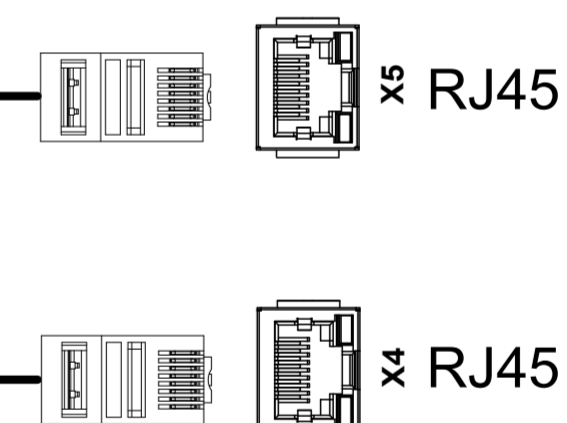
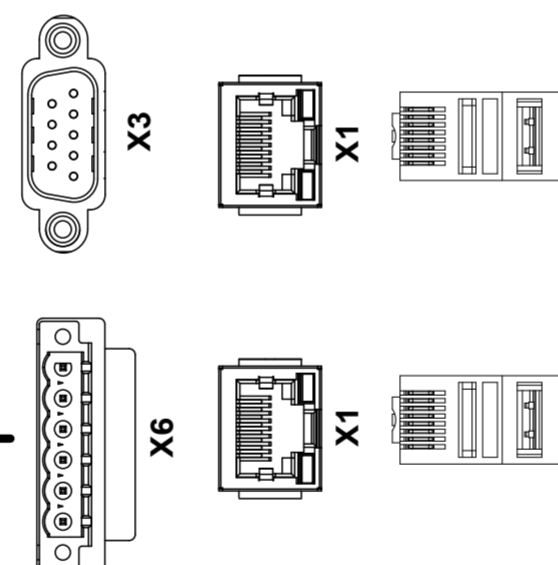
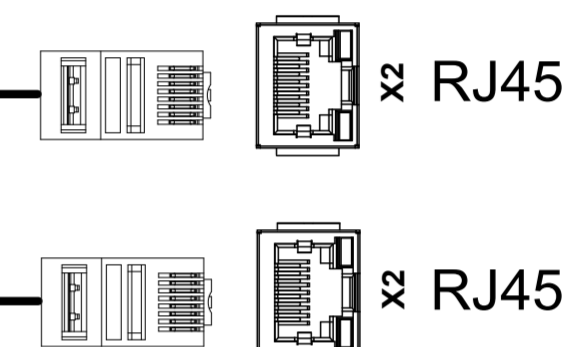
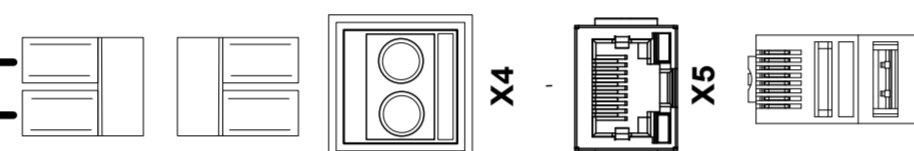
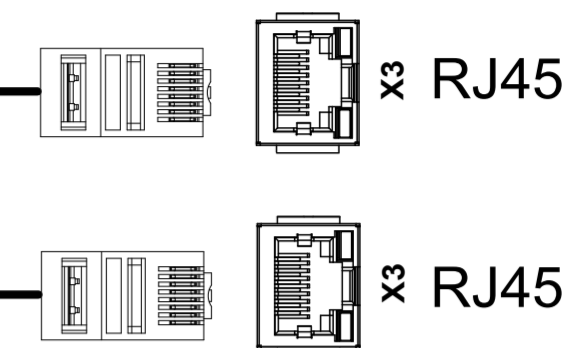
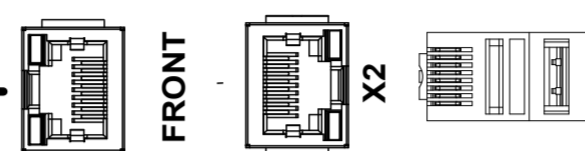
RJ45

LC 1310nm

RJ45

RS232

RS485



PIN	SIGNAL
2	RxD
3	TxD
5	GND

PIN	SIGNAL
5	Data -
6	GND
7	Data +

Fuer diese technische Unterlage behalten wir uns gemass DIN 34 Abschnitt 2.1 und 2.2 alle Rechte vor.

DRAWING BY CAD
DO NOT MODIFY MANUALLY

02	X7,X1,X6 connection	01.10.21	LAINER	DATE	22.01.21
01	BCD Signal	30.06.21	KAHN	EXEC.	BECK
				VERIFIED	AP
NO.	MODIFICATION	DATE	NAME	STANDARD	



TAPCON® 230 EXPERT

LANGUAGE:
FR

PROJECT:
7870272_02

=	
+	
SHEET	3
	3 SH.

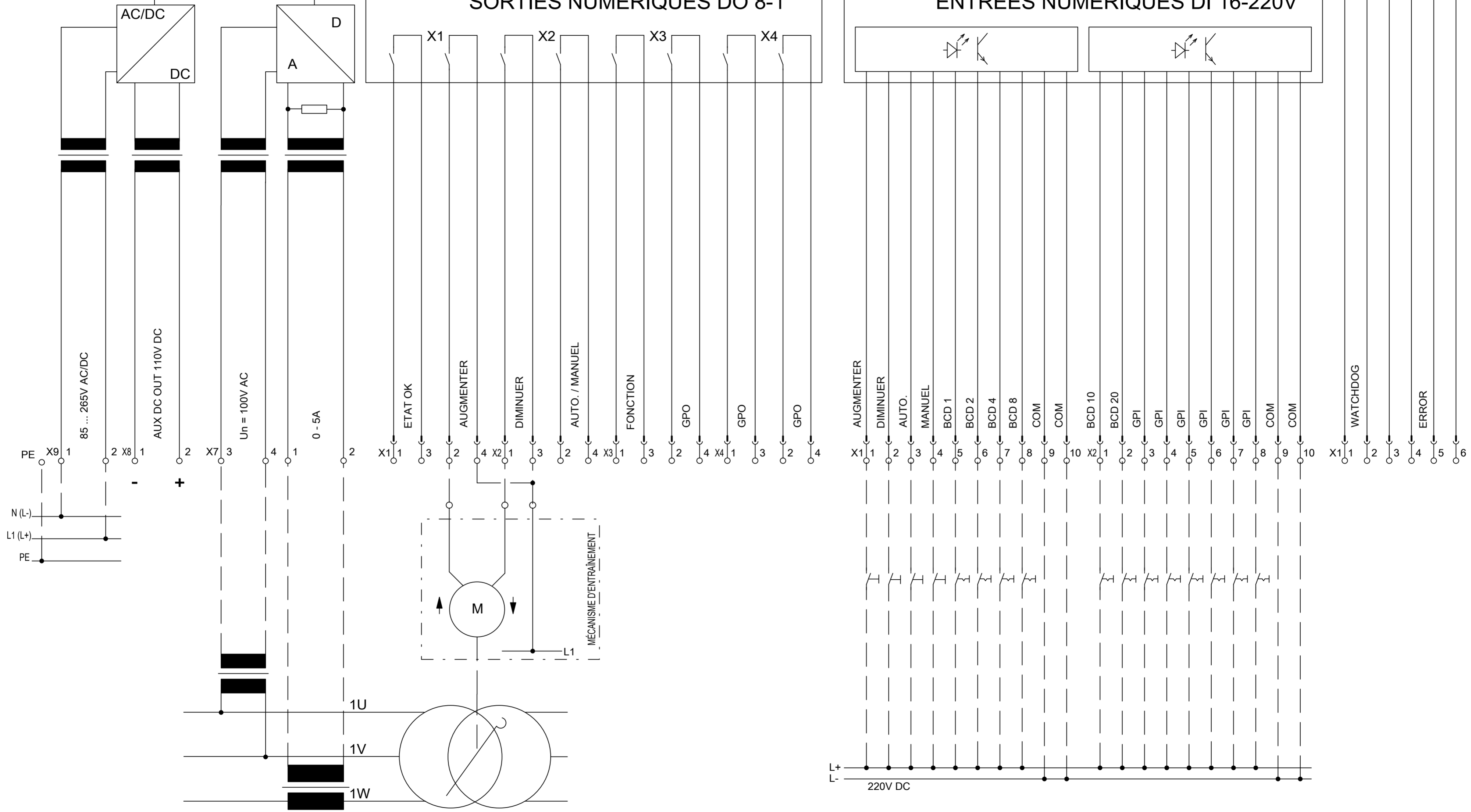
TAPCON® 230 - EXPERT

ALIMENTATION DE LA TENSION

UNITÉ CENTRALE DE CALCUL

SORTIES NUMÉRIQUES DO 8-1

ENTRÉES NUMÉRIQUES DI 16-220V



Fuer diese technische Unterlage behalten wir uns gemäss DIN 34 Abschnitt 2.1 und 2.2 alle Rechte vor.

DRAWING BY CAD
DO NOT MODIFY MANUALLY

DATE	06.09.2022						
EXEC.	BECK						
VERIFIED	AP						
NO.	MODIFICATION	DATE	NAME	STANDARD	ORIGIN	REPL	REPL BY



TAPCON® 230 EXPERT

LANGUAGE: FR

PROJECT: 9008294_00

SHEET 1
3 SH.

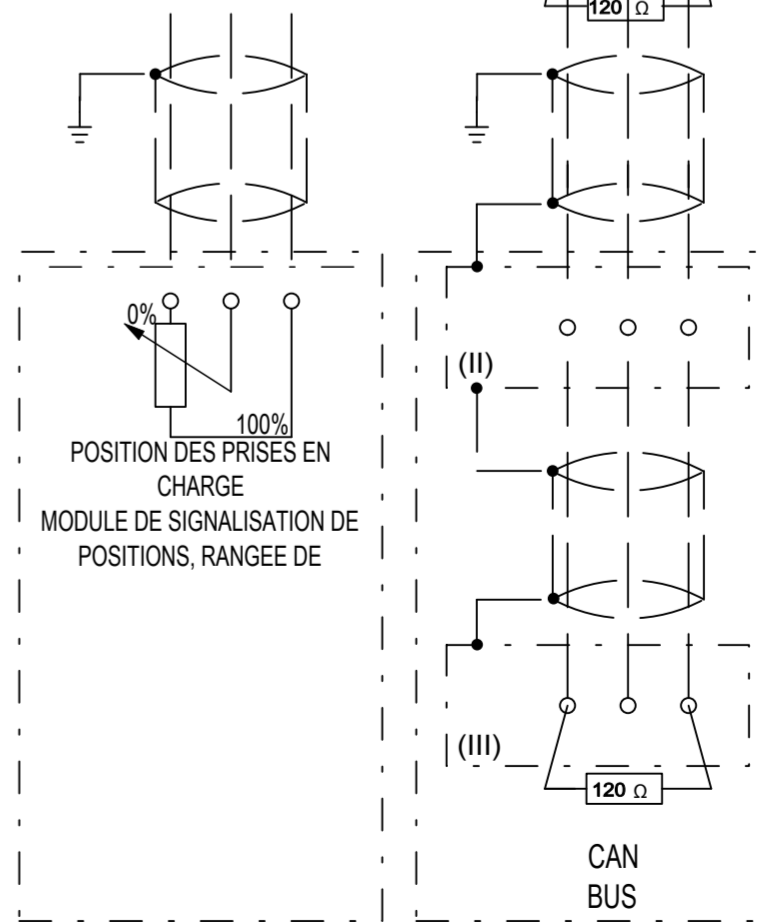
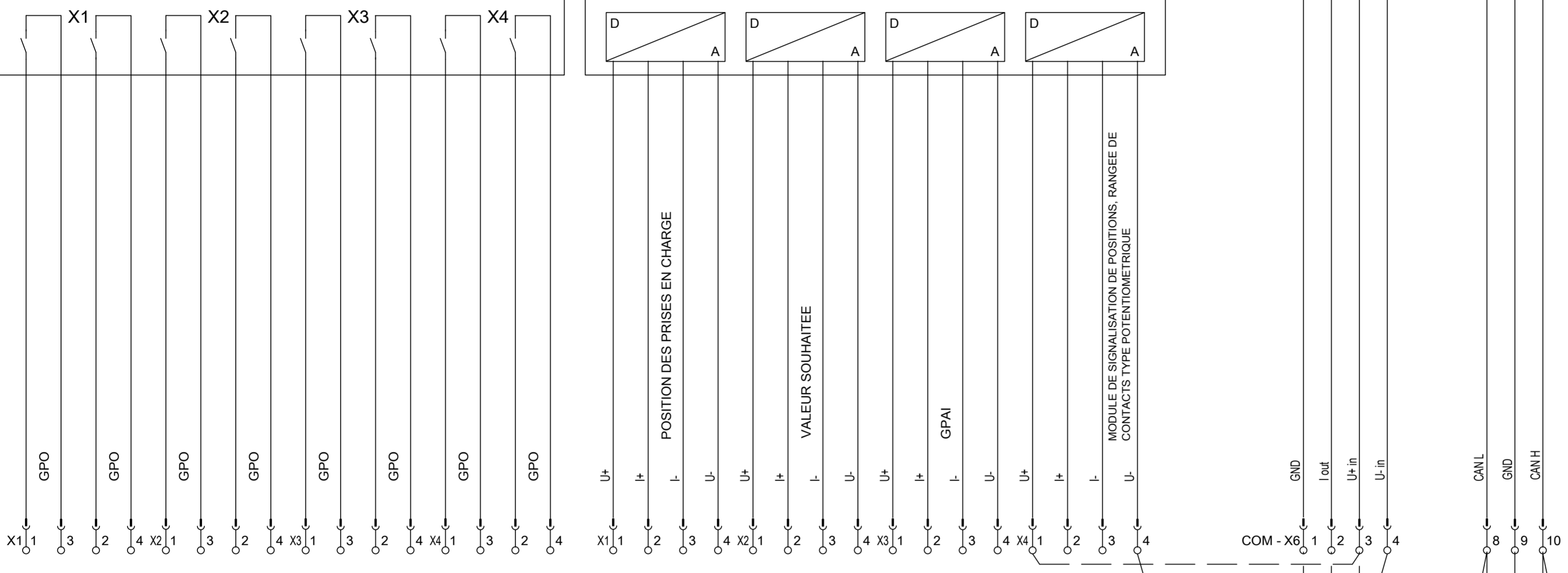
TAPCON® 230 - EXPERT

UNITÉ CENTRALE DE CALCUL

COM

SORTIES NUMÉRIQUES DO 8-2

ENTRÉES ANALOGIQUES AI 4



Fuer diese technische Unterlage behalten wir uns gemaess
DIN 34 Abschnitt 2.1 und 2.2 alle Rechte vor.

DRAWING BY CAD
DO NOT MODIFY MANUALLY

DATE	06.09.2022						
EXEC.	BECK						
VERIFIED	AP						
NO.	MODIFICATION	DATE	NAME	STANDARD	ORIGIN	REPL	REPL BY



TAPCON® 230 EXPERT

LANGUAGE:
FR

PROJECT:
9008294_00

=	
+	
SHEET	2
	3 SH.

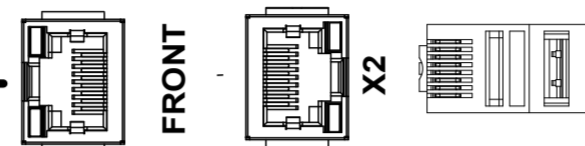
CUSTOMER

COM

CPU

RJ45

RJ45



FRONT

X2

X2

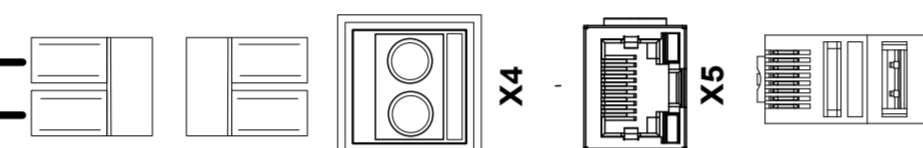
VISU / SERVICE

x3 RJ45

x3 RJ45

LC 1310nm

RJ45



X4

X5

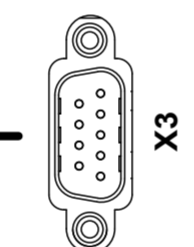
SCADA ETHERNET

x2 RJ45

x2 RJ45

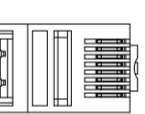
PIN	SIGNAL
2	RxD
3	TxD
5	GND

RS232



X3

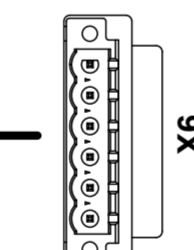
X1



x5 RJ45

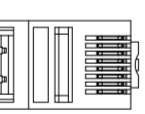
PIN	SIGNAL
5	Data -
6	GND
7	Data +

RS485



X6

X1



x4 RJ45

SCADA SERIAL

Fuer diese technische Unterlage behalten wir uns gemass DIN 34 Abschnitt 2.1 und 2.2 alle Rechte vor.

DRAWING BY CAD
DO NOT MODIFY MANUALLY

NO.	MODIFICATION	DATE	NAME	STANDARD	ORIGIN	REPL	REPL BY
		06.09.2022					



TAPCON® 230 EXPERT

LANGUAGE: FR

PROJECT: 9008294_00

=	
+	
SHEET	3
	3 SH.

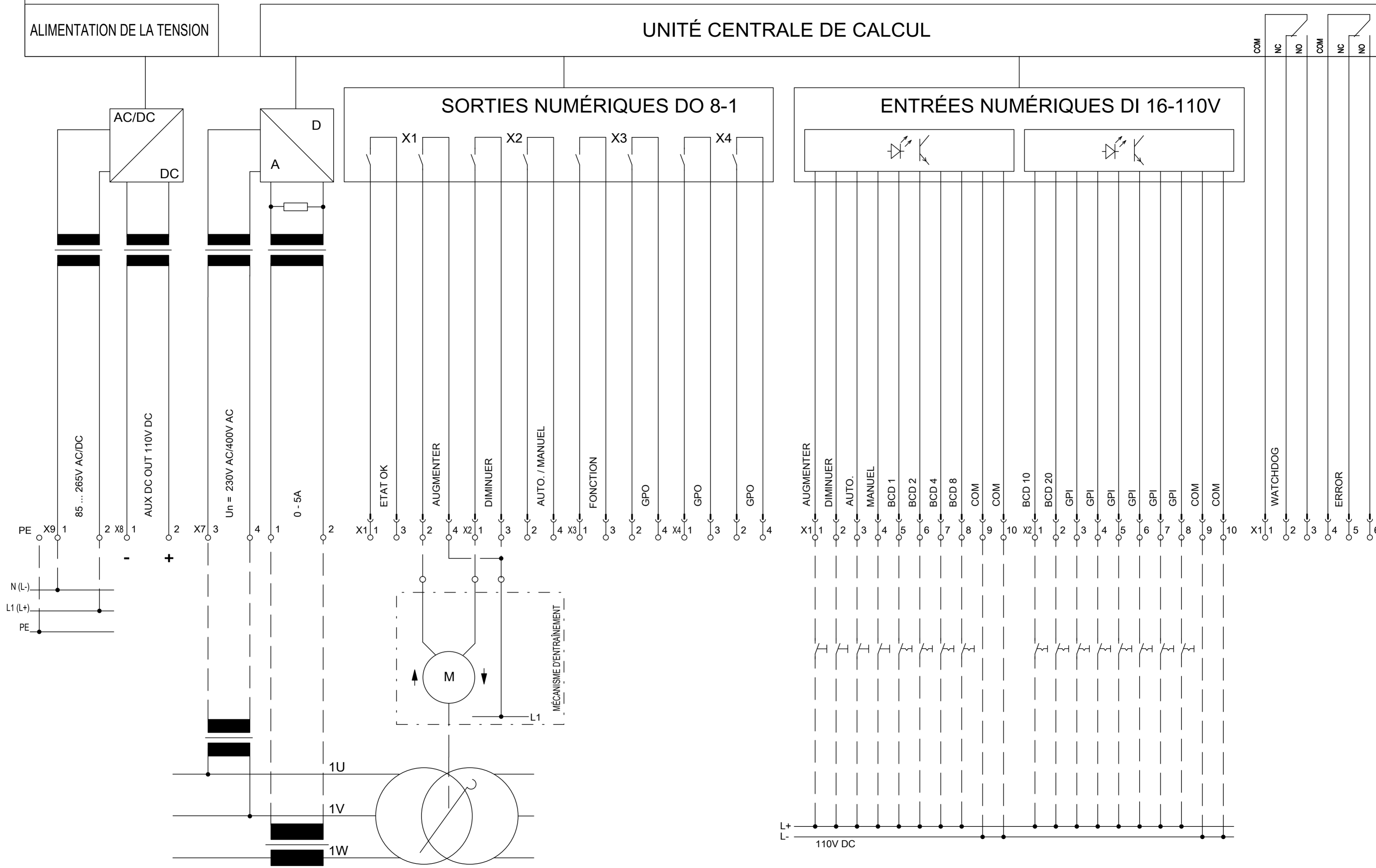
TAPCON® 230 - AVT

ALIMENTATION DE LA TENSION

UNITÉ CENTRALE DE CALCUL

SORTIES NUMÉRIQUES DO 8-1

ENTRÉES NUMÉRIQUES DI 16-110V



Fuer diese technische Unterlage behalten wir uns gemäss
DIN 34 Abschnitt 2.1 und 2.2 alle Rechte vor.

DRAWING BY CAD
DO NOT MODIFY MANUALLY

02	X7,X1,X6 connection	01.10.21	LAINER	DATE	22.01.2021
01	BCD SIGNAL	30.06.21	KAHN	EXEC.	BECK
				VERIFIED	AP
NO.	MODIFICATION	DATE	NAME	STANDARD	

ORIGIN	REPL	REPL BY
--------	------	---------



TAPCON® 230 AVT

LANGUAGE:
FR

PROJECT:
7870287_02

=	
+	
	SHEET 1
	3 SH.

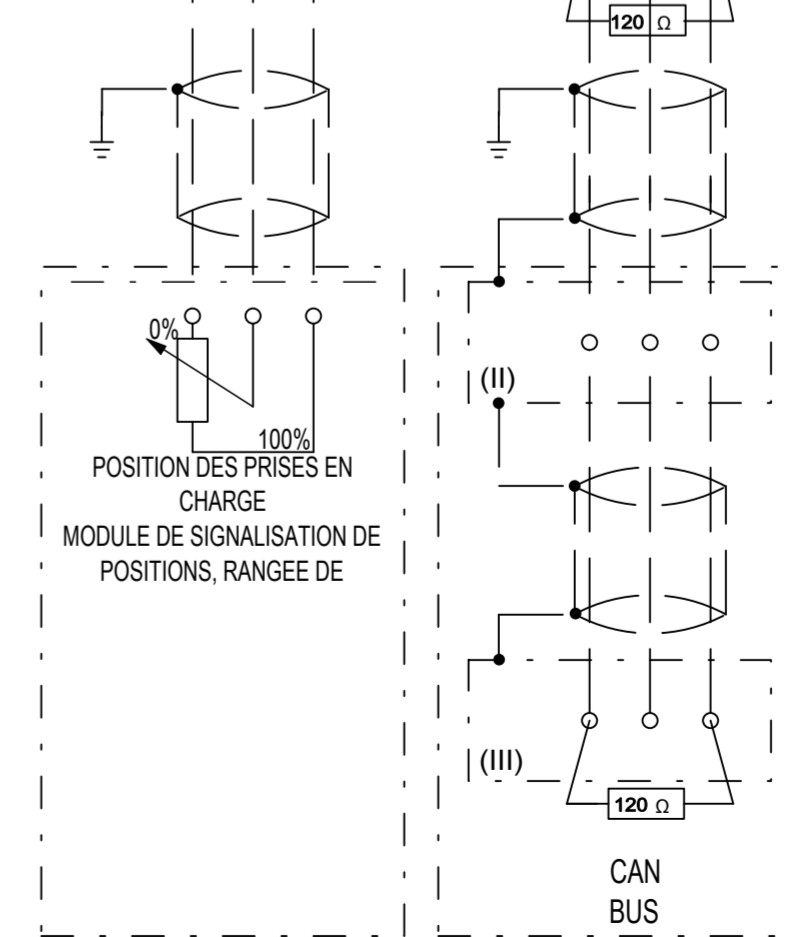
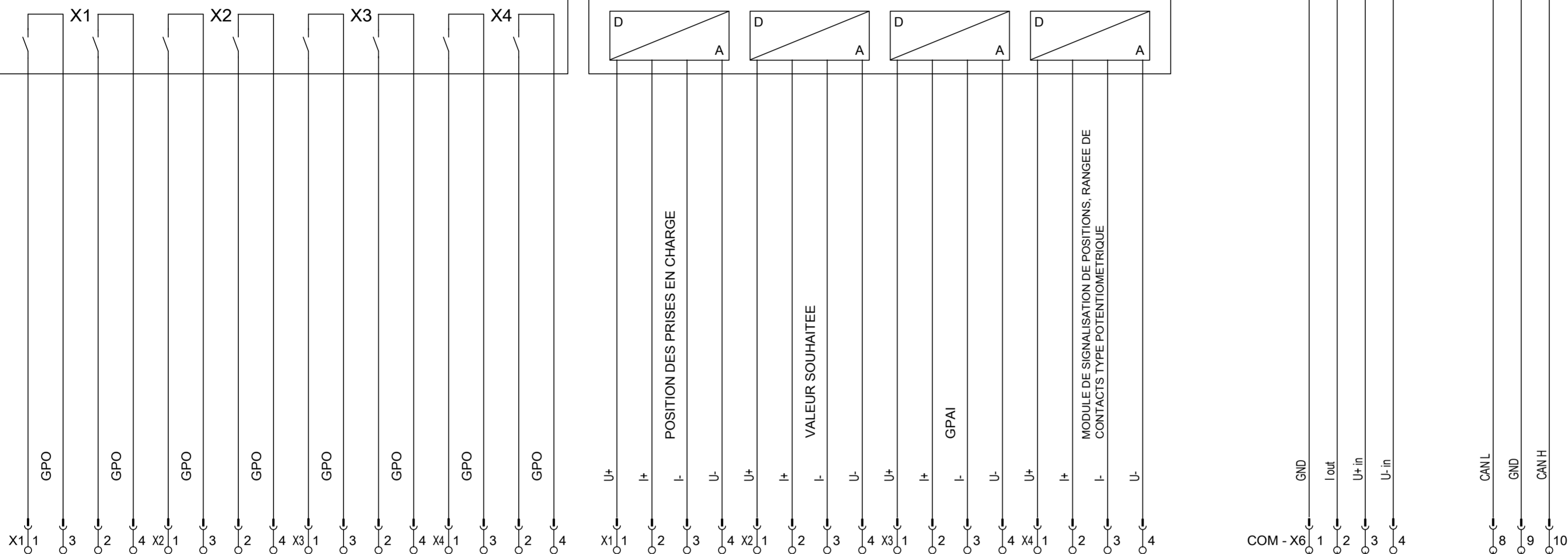
TAPCON® 230 - AVT

UNITÉ CENTRALE DE CALCUL

COM

SORTIES NUMÉRIQUES DO 8-2

ENTRÉES ANALOGIQUES AI 4



Fuer diese technische Unterlage behalten wir uns gemaess
DIN 34 Abschnitt 2.1 und 2.2 alle Rechte vor.

DRAWING BY CAD
DO NOT MODIFY MANUALLY

02	X7,X1,X6 connection	01.10.21	LAINER	DATE	22.01.2021
01	BCD SIGNAL	30.06.21	KAHN	EXEC.	BECK
				VERIFIED	AP
NO.	MODIFICATION	DATE	NAME	STANDARD	ORIGIN
					REPL
					REPL BY

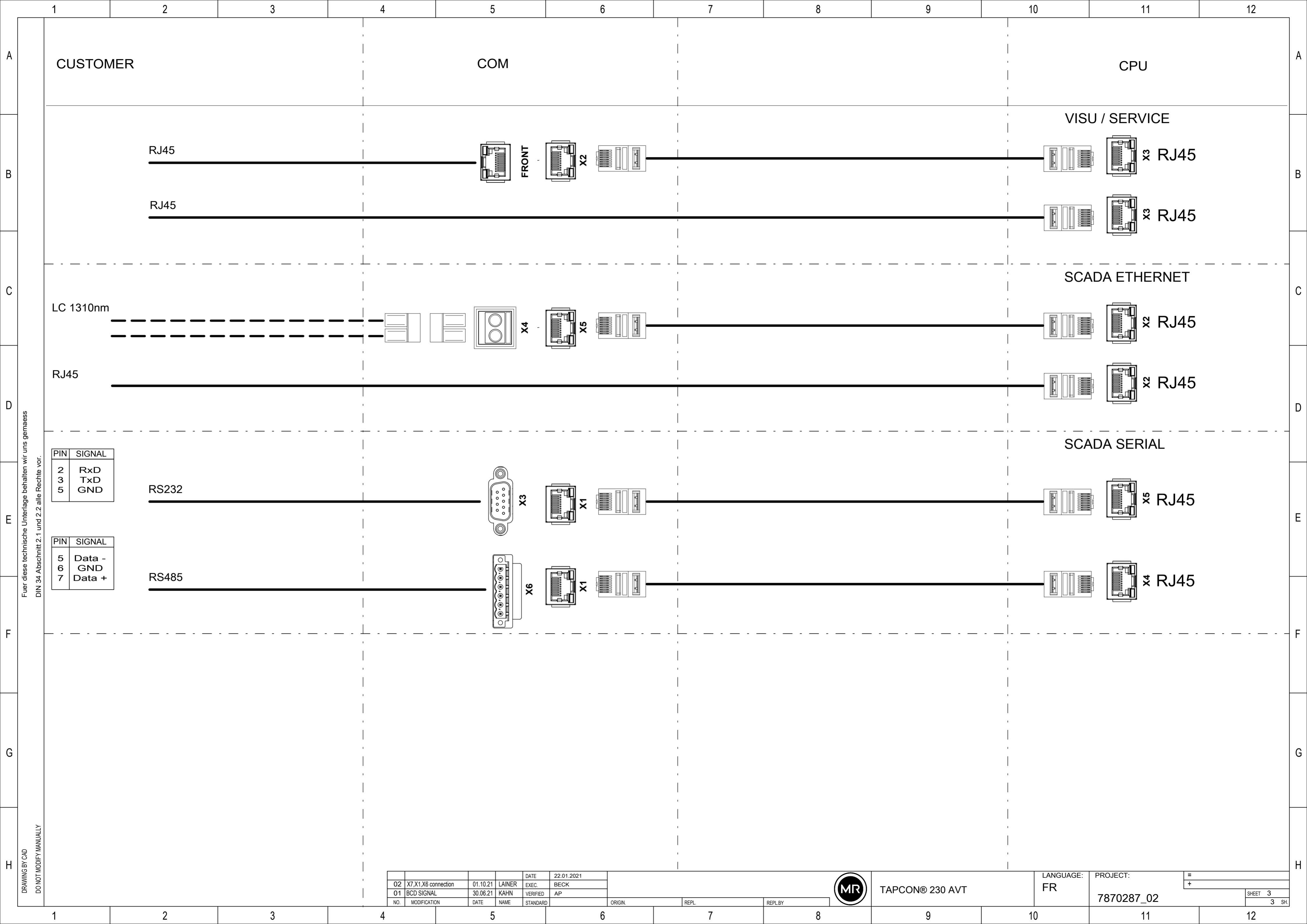


TAPCON® 230 AVT

LANGUAGE:
FR

PROJECT:
7870287_02

SHEET 2
3 SH



Fuer diese technische Unterlage behalten wir uns gemass DIN 34 Abschnitt 2.1 und 2.2 alle Rechte vor.

DRAWING BY CAD
DO NOT MODIFY MANUALLY

PIN	SIGNAL
2	RxD
3	TxD
5	GND

PIN	SIGNAL
5	Data -
6	GND
7	Data +

NO.	MODIFICATION	DATE	NAME	STANDARD	ORIGIN	REPL	REPL BY
02	X7,X1,X6 connection	01.10.21	LAINER				
01	BCD SIGNAL	30.06.21	KAHN				



TAPCON® 230 AVT

LANGUAGE:
FR

PROJECT:
7870287_02

=	
+	
SHEET	3
	3 SH.

Index

B					
Boîtier	263				
C					
Câbles recommandés	266				
Compatibilité électromagnétique					
267					
		I			
		Instructions de service			
		Téléchargement	283		
		télécharger	283		
		M			
		Montage mural	263		
				S	
				SCADA	
				Raccordement	271
				Système de conduite	271
				V	
				Visualisation	
				Connexion	281

Maschinenfabrik Reinhausen GmbH

Falkensteinstrasse 8
93059 Regensburg
Germany
+49 941 4090-0
info@reinhausen.com
[reinhausen.com](https://www.reinhausen.com)

Please note:
The data in our publications may differ from the data of the devices delivered.
We reserve the right to make changes without notice.
7820658/06 - TAPCON® 230 Installation Instructions -
01/24
Maschinenfabrik Reinhausen GmbH 2024

THE POWER BEHIND POWER.



Instruções de montagem TAPCON[®] 230. Regulador de tensão

7820658/06



© Todos os direitos da Maschinenfabrik Reinhausen

Salvo autorização expressa, ficam proibidas a transmissão, assim como a reprodução deste documento, a comercialização e a comunicação do seu conteúdo.

Infrações implicam a obrigação de prestar indenização. Ficam reservados todos os direitos para o caso de registro de patente, modelo registrado e modelo de apresentação.

Após a conclusão da redação da presente documentação, podem ter ocorrido modificações no produto.

Ficam expressamente reservados todos os direitos às alterações dos dados técnicos ou da estrutura, bem como às alterações do material fornecido.

Como princípio, todas as informações transmitidas e acordos fechados durante o processamento dos respectivos orçamentos e pedidos são juridicamente vinculativas.

O produto é fornecido em conformidade com as Especificações Técnicas da MR, que se baseiam em dados do cliente. O cliente deve garantir os devidos cuidados e a compatibilidade do produto específico com a área de utilização por ele mesmo planejada.

As instruções de serviço originais foram redigidas em alemão.

Índice

1 Introdução	324	6 Primeiros passos	359
1.1 Fabricante	324	6.1 Criar conexão à visualização	359
1.2 Integridade	324	6.2 Definir o idioma	360
1.3 Local de conservação	324	6.3 Baixar as instruções de serviço	361
2 Segurança	325	7 Resolução de falhas	362
2.1 Utilização apropriada.....	325	7.1 Falhas gerais	362
2.2 Utilização inapropriada	326	7.2 Human-Machine-Interface.....	362
2.3 Informações básicas de segurança.....	326	7.3 Outras falhas.....	362
2.4 Qualificação do pessoal.....	328	8 Dados técnicos	364
2.5 Equipamento de proteção pessoal	328	8.1 Elementos de indicação	364
3 Segurança de TI	330	8.2 Materiais	364
3.1 Geral	330	8.3 Dimensões	364
4 Descrição do produto	331	8.4 Alimentação de corrente.....	364
4.1 Descrição do funcionamento da regulagem de tensão	331	8.5 Medição de tensão e medição de corrente.....	365
4.2 Material fornecido	331	8.6 Unidade central de processamento	366
4.3 Estrutura.....	332	8.7 Entradas digitais	368
4.3.1 Visor, elementos de comando e interface frontal.....	332	8.8 Saídas digitais	369
4.3.2 LEDs	333	8.9 Entradas analógicas	371
4.3.3 Conexões e fusíveis	334	8.10 Interfaces de comunicação	372
4.3.4 Placa de características	335	8.11 Calibrar a detecção da posição de tap por meio da coroa potenciométrica.....	374
4.3.5 Sinalizações de segurança	336	8.12 Condições ambientais.....	374
4.3.6 Esquema de conexão e parafuso de ligação à terra	336	8.13 Normas e diretrizes	375
4.3.7 Visualização	336	8.14 Esquemas de conexão	376
5 Montagem	338	TAPCON® 230 Basic (DI 16-110 V)	377
5.1 Preparação.....	338	TAPCON® 230 Basic (DI 16-220 V).....	379
5.2 Distâncias mínimas	338	TAPCON® 230 Pro (DI 16-110 V)	381
5.3 Variantes de montagem	339	TAPCON® 230 Pro (DI 16-220 V).....	384
5.3.1 Instalação embutida em painel	339	TAPCON® 230 Expert (DI 16-110 V)	387
5.3.2 Montagem na parede com caixa (opcional)	341	TAPCON® 230 Expert (DI 16-220 V).....	390
5.4 Conectar o aparelho	344	TAPCON® 230 AVT	393
5.4.1 Cabos recomendados.....	344	Índice	396
5.4.2 Compatibilidade eletromagnética.....	345		
5.4.3 Conectar as linhas na periferia do equipamento	347		
5.4.4 Conectar o CAN Bus.....	347		
5.4.5 Conectar SCADA.....	349		
5.4.6 Cabeamento da medição de tensão/ medição de corrente UI	353		
5.4.7 Cabear entradas analógicas AI	354		
5.4.8 Cabear entradas digitais DI 16-110 V.....	354		
5.4.9 Cabear entradas digitais DI 16-220 V	355		
5.4.10 Cabear saídas digitais DO	355		
5.4.11 Cabear a coroa potenciométrica.....	355		
5.4.12 Alimentação de corrente e aterramento... ..	355		
5.5 Executar testes	358		

1 Introdução

Esta documentação técnica contém descrições detalhadas para montar, conectar o produto de forma correta e segura, além de colocá-lo em funcionamento e monitorá-lo.

Além disso, são apresentadas instruções de segurança e informações gerais sobre o produto.

O público a quem esta documentação técnica se destina é exclusivamente o pessoal técnico autorizado e treinado.

1.1 Fabricante

Maschinenfabrik Reinhausen GmbH
Falkensteinstrasse 8
93059 Regensburg
Alemanha
+49 941 4090-0
sales@reinhausen.com
reinhausen.com

Portal do cliente da MR Reinhausen: <https://portal.reinhausen.com>

Se necessário, é possível receber mais informações sobre o produto e novas edições desta documentação técnica através desse endereço.

1.2 Integridade

Esta documentação técnica está completa somente quando acompanhada dos seguintes documentos complementares:

- Esquemas de conexão
- Instruções de serviço
 - Disponível no aparelho como download
 - Disponível para baixar em www.reinhausen.com
 - Disponível no portal do cliente MR <https://portal.reinhausen.com> como download

1.3 Local de conservação

Mantenha esta documentação técnica, assim como outros documentos complementares sempre em local acessível e sempre disponíveis para uso futuro. Baixe as instruções de serviço do aparelho. As instruções de serviço encontram-se também na página principal da Maschinenfabrik Reinhausen GmbH ou no portal do cliente MR.

2 Segurança

- Leia toda esta documentação técnica para conhecer bem o produto.
- Esta documentação técnica é parte integrante do produto.
- Imprima o documento baixado ou salve-o em um dispositivo de armazenamento de dados que esteja sempre à mão e acessível sempre que necessário.
- Leia e observe as informações de segurança deste capítulo.
- Leia e observe os avisos de advertência desta documentação técnica para evitar perigos relacionados ao funcionamento.
- O produto foi fabricado com a tecnologia mais avançada disponível. No entanto, a utilização indevida pode acarretar perigos para a vida e saúde do usuário ou danos ao produto e a outros bens.

2.1 Utilização apropriada

O aparelho serve para manter constante a tensão de saída de um transformador com comutador de derivação em carga. O produto é destinado exclusivamente à utilização em grandes instalações permanentes e equipamentos de energia elétrica.

Com a utilização apropriada do produto e o respeito aos requisitos e condições mencionadas nesta documentação técnica, assim como aos avisos de advertência contidos nesta documentação técnica e afixados no produto, não há perigo de ferimentos, danos materiais ou ambientais. Isso se aplica a toda a vida útil, desde a entrega, passando pela montagem e operação, e terminando na desmontagem e eliminação.

Os seguintes usos são considerados apropriados:

- A norma válida para o produto e o respectivo ano de emissão encontram-se na placa de características.
- Utilize o produto conforme esta documentação técnica, as condições de entrega acordadas e dados técnicos.
- Todos os trabalhos necessários devem ser executados somente por pessoal qualificado.
- Utilize os dispositivos e ferramentas especiais fornecidos exclusivamente para o fim previsto e de acordo com as determinações desta documentação técnica.
- Opere o produto exclusivamente em áreas industriais.
- Observe as instruções desta documentação técnica relativas à compatibilidade eletromagnética e aos dados técnicos.
- O produto foi concebido para ser instalado. Devem ser observadas todas as precauções de segurança contra incêndio e proteção contra choques elétricos.
- Deve ser observada a resistência ao esforço mecânico.

2.2 Utilização inapropriada

Qualquer utilização do produto que contrarie o que está descrito na seção Utilização apropriada será considerada inapropriada. Além disso, observe o seguinte:

- O produto não é um aparelho de proteção. Não o utilize para funções relevantes para a segurança.
- Não opere o produto em áreas sujeitas a explosões.

2.3 Informações básicas de segurança

Para evitar acidentes, falhas e avarias, bem como danos ao meio-ambiente, o respectivo responsável pelo transporte, montagem, operação, conservação e eliminação do produto ou de peças do produto deve observar o seguinte:

Equipamento de proteção pessoal

O uso de roupas frouxas ou não adequadas aumenta o perigo de captura ou enrolamento em partes rotativas e o perigo de que enganchem em partes salientes. Com isso, há perigo para a vida ou integridade física.

- Para executar essa atividade, é preciso utilizar o equipamento de proteção pessoal como um capacete, sapatos de proteção, etc.
- Nunca usar equipamento de proteção pessoal danificado.
- Nunca usar anéis, correntes nem adornos semelhantes.
- No caso de cabelos compridos, usar touca.

Área de trabalho

Desordem e áreas de trabalho mal iluminadas podem provocar acidentes.

- Manter a área de trabalho limpa e organizada.
- Garantir a boa iluminação da área de trabalho.
- Cumprir a legislação nacional aplicável para a prevenção de acidente.

Trabalhos na operação

O produto só pode ser operado se estiver em perfeitas condições de funcionamento. Caso contrário, há perigo para a vida e a integridade física.

- Verificar os dispositivos de segurança regularmente quanto ao seu funcionamento correto.
- Realizar os trabalhos de inspeção e de manutenção e respeitar os intervalos de manutenção descritos nesta documentação técnica.

Irradiação invisível de laser

Olhar diretamente para a irradiação ou para a irradiação refletida pode causar lesões oculares. Nos módulos, a irradiação é emitida nas conexões ópticas, ou na extremidade das fibras ópticas a eles conectadas. Para isso, leia o capítulo "Dados técnicos" [►Parágrafo 8, Página 364].

- Nunca olhe diretamente para a irradiação ou irradiação refletida.
- Nunca olhe para a irradiação com instrumentos ópticos como, por exemplo, uma lupa ou um microscópio.
- Caso a irradiação de laser atinja os olhos, feche os olhos e mova a cabeça para fora da irradiação.

Como lidar com transformadores de corrente

Durante a operação de um transformador de corrente com circuito de corrente secundário aberto, podem ocorrer tensões perigosamente altas. Isso pode ocasionar ferimentos graves e danos materiais.

- Nunca operar transformadores de corrente com o circuito de corrente secundário aberto, curto-circuitar portanto o transformador de corrente.
- Consulte as informações contidas nas instruções de serviço do transformador de corrente.

Manuseio de componentes elétricos

Os componentes elétricos podem ser danificados por descargas eletrostáticas.

- Nunca tocar os componentes elétricos durante a colocação em funcionamento, operação ou trabalhos de manutenção.
- Tomar medidas adequadas (por exemplo coberturas) para impedir que o pessoal toque os componentes do aparelho.
- Usar os equipamentos de proteção pessoal adequados.

Proteção contra explosão

Gases altamente inflamáveis ou explosivos, vapores e poeiras podem causar explosões graves e incêndios.

- Não montar nem operar o produto em áreas sujeitas a explosões.

Sinalizações de segurança

As placas informativas de advertência e as placas informativas de segurança são sinalizações de segurança no produto. Elas constituem parte integrante importante do conceito de segurança.

- Observar todas as sinalizações de segurança no produto.
- Manter todas as sinalizações de segurança no produto completas e legíveis.
- Renovar as sinalizações de segurança danificadas ou inexistentes.

Condições ambientais

Para garantir um funcionamento confiável e seguro, o produto deverá ser operado somente sob as condições ambientais indicadas nos dados técnicos.

- Observar as condições de operação indicadas e as exigências relativas ao local de montagem.

Modificações e adaptações

Modificações ao produto não permitidas ou não apropriadas poderão causar danos pessoais, danos materiais e falhas no funcionamento.

- Alterar o produto somente após consultar a Maschinenfabrik Reinhausen GmbH.

Peças de reposição

Peças de reposição não aprovadas pela Maschinenfabrik Reinhausen GmbH podem causar danos pessoais, danos materiais ao produto, assim como falhas no funcionamento.

- Utilizar exclusivamente as peças sobressalentes aprovadas pela Maschinenfabrik Reinhausen GmbH.
- Entrar em contato com a Maschinenfabrik Reinhausen GmbH.

2.4 Qualificação do pessoal

A pessoa responsável pela instalação, colocação em funcionamento, operação, manutenção e inspeção deve verificar se o pessoal tem qualificação suficiente.

Eletricista qualificado

O eletricista qualificado tem conhecimentos e experiência devido à sua formação específica, bem como conhecimento das respectivas normas e disposições. Além disso, o eletricista qualificado tem as seguintes aptidões:

- O eletricista qualificado detecta por conta própria os possíveis perigos e é capaz de evitá-los.
- O eletricista qualificado é capaz de realizar trabalhos na instalação elétrica.
- O eletricista qualificado tem formação especializada no campo de trabalho em que atua.
- O eletricista qualificado deve respeitar as disposições da legislação vigente para a prevenção de acidentes.

Pessoas treinadas em eletrotécnica

Uma pessoa treinada em eletrotécnica recebe de um eletricista qualificado informações e instruções sobre as suas tarefas e os perigos de um comportamento indevido, bem como sobre dispositivos de proteção e medidas de proteção. A pessoa treinada em eletrotécnica trabalha exclusivamente sob a direção e supervisão de um eletricista qualificado.

Operador

O operador usa e opera o produto em conformidade com este documento técnico. Ele é informado e treinado pelo operador sobre tarefas especiais e os perigos potenciais resultantes de um comportamento indevido.

Assistência técnica

Recomendamos com ênfase que as manutenções, reparos e reequipamentos sejam executados pela nossa assistência técnica. Desse modo fica garantida a execução profissional de todos os trabalhos. Se um trabalho de manutenção não for realizado pela nossa assistência técnica, é preciso que o pessoal encarregado tenha sido instruído e autorizado pela Maschinenfabrik Reinhausen GmbH.

Pessoal autorizado

O pessoal autorizado da Maschinenfabrik Reinhausen GmbH é treinado e formado para manutenções especiais.

2.5 Equipamento de proteção pessoal

É obrigatório o uso de equipamentos de proteção pessoal ao trabalhar para minimizar os riscos à saúde.

- Durante o trabalho sempre devem ser utilizados os equipamentos de proteção específicos para cada atividade.
- Nunca usar equipamento de proteção danificado.
- Na área de trabalho, devem ser seguidas as informações disponíveis relativas a equipamentos de proteção.

Roupa de proteção de trabalho	Roupa de trabalho justa ao corpo com resistência mínima a rasgos, com mangas justas e sem partes suspensas. A roupa de trabalho destina-se principalmente a evitar que o trabalhador seja agarrado por peças móveis.
Calçados de segurança	Para proteção contra peças pesadas que possam cair e contra escorregões em pisos escorregadios.
Óculos de proteção	Para proteger os olhos de partículas lançadas ao ar e jatos de líquidos.
Protetor facial	Para proteção do rosto de partículas lançadas ao ar e jatos de líquidos ou outras substâncias perigosas.
Capacete de proteção	Para proteção contra peças e materiais que possam cair ou partículas lançadas ao ar.
Proteção auricular	Para proteção contra danos ao ouvido.
Luvas de proteção	Para a proteção contra perigos mecânicos, térmicos e elétricos.

Tabela 1: Equipamento de proteção pessoal

3 Segurança de TI

Observe as seguintes recomendações para a operação segura do produto.

3.1 Geral

- Permita o acesso ao aparelho somente a pessoas autorizadas.
- Utilize o aparelho exclusivamente dentro do perímetro de segurança eletrônica (ESP – electronic security perimeter). Não conecte o aparelho à Internet se não estiver protegido. Utilize mecanismos para a segmentação vertical e horizontal da rede e dos gateways de segurança (firewalls) nas transições.
- O aparelho deve ser operado exclusivamente por pessoal treinado e conscientizado quanto à segurança de TI.
- Verifique regularmente se existem atualizações de software disponíveis para o aparelho e instale essas atualizações.

4 Descrição do produto

4.1 Descrição do funcionamento da regulação de tensão

O aparelho serve para manter constante a tensão de saída de um transformador com comutador de derivação em carga.

O aparelho compara a tensão de medição do transformador U_{real} com uma tensão de referência definida U_{ref} . A diferença entre U_{real} e U_{ref} representa o desvio de regulação dU .

Os parâmetros do aparelho podem ser ajustados ao comportamento da tensão da rede de modo que seja atingida uma resposta de controle balanceada com um número de comutações mínimo do comutador de derivação em carga.

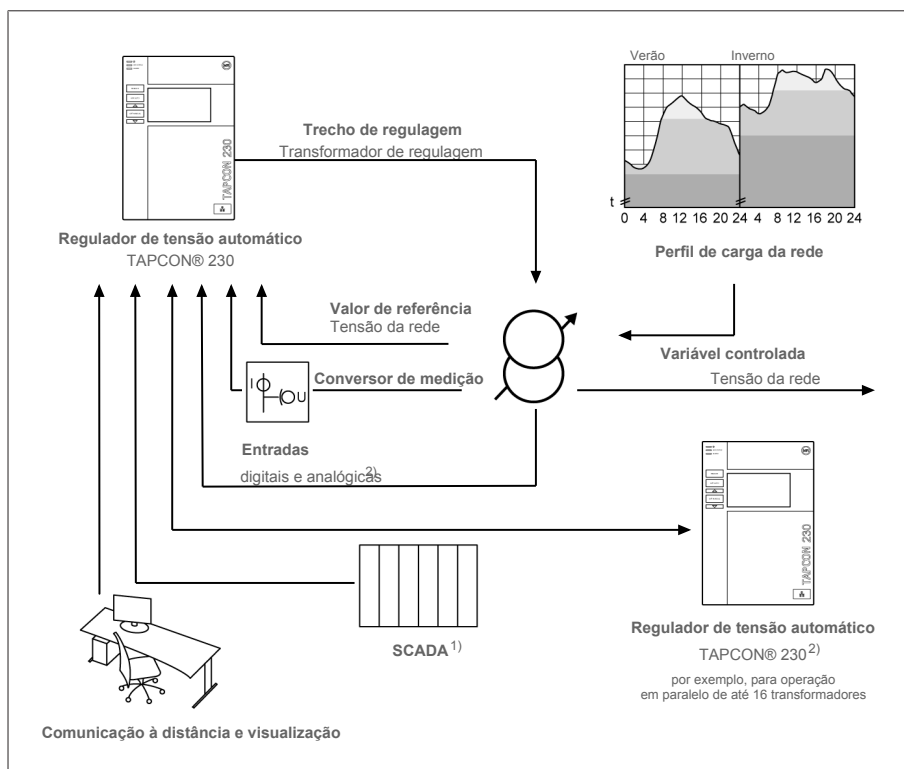


Figura 1: Visão geral da regulação de tensão

¹⁾Disponível somente nas variantes TAPCON® 230 Expert e AVT.

²⁾Disponível somente nas variantes TAPCON® 230 Pro, Expert e AVT.

4.2 Material fornecido

Verifique a integridade do material fornecido de acordo com os documentos de expedição.

- Regulador de tensão
- Cabo patch RJ45

- Braçadeiras de blindagem
- Conector
- Clipes de fixação
- Documentação técnica
- Placa de características adicional
- Resistor de terminação para CAN Bus
- Resistor de terminação para barramento RS485

Opcional

- Caixa para montagem na parede
- Dependente do tipo de aparelho:
 - Ethernet em conversor de fibra óptica (módulo SFP)
 - Serial em conversor de fibra óptica

4.3 Estrutura

4.3.1 Visor, elementos de comando e interface frontal

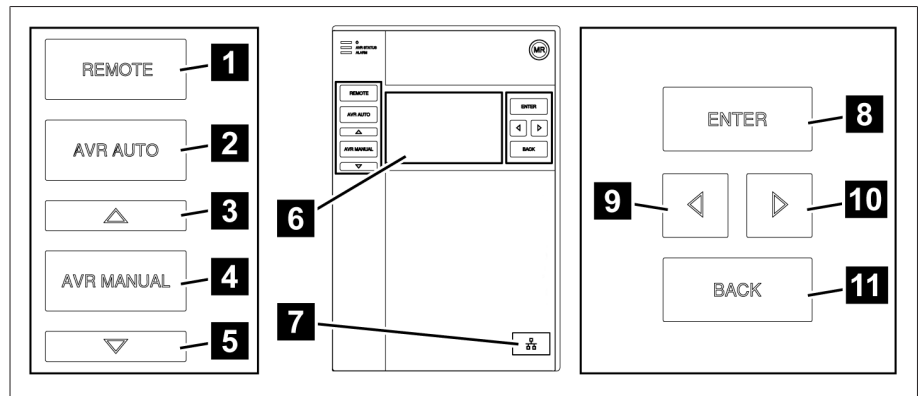


Figura 2: Regulador de tensão

1	Tecla REMOTE ⁴¹	Ativar modo de operação REMOTO
2	Tecla AUTO	Ativar modo de operação AUTO
3	Tecla SUBIR ⁴²	Enviar comando de controle ao acionamento motorizado para aumentar a tensão.
4	Tecla MANUAL	Ativar modo de operação MANUAL
5	Tecla BAIXAR ⁴²	Enviar comando de controle ao acionamento motorizado para reduzir a tensão.
6	Visor	-
7	Interface frontal	Interface Ethernet RJ45
8	Tecla ENTER	Confirmar a seleção e salvar os parâmetros alterados
9	CURSOR à esquerda	Navegação no menu para a esquerda
10	CURSOR à direita	Navegação no menu para a direita
11	Tecla BACK	Sair do menu atual. Voltar ao nível de menu anterior

⁴¹ Tecla sem função se a comutação de LOCAL/REMOTO ocorrer por meio de uma entrada digital.

⁴² Possível somente na operação manual.

4.3.2 LEDs

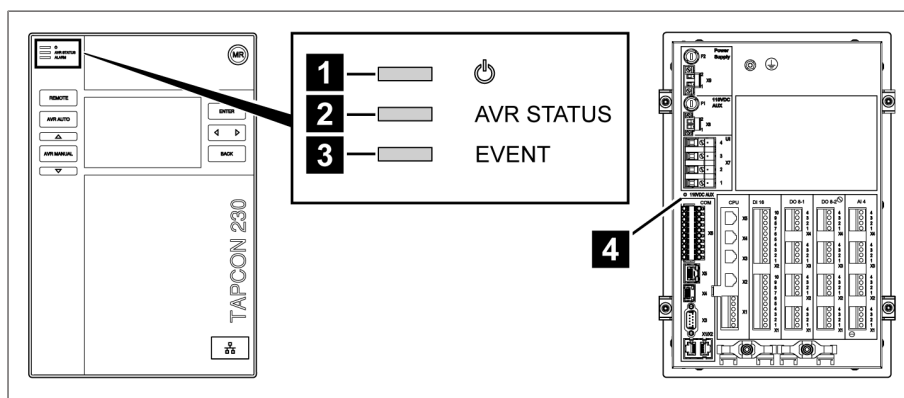


Figura 3: LEDs

1	LED <i>Alimentação de corrente</i>	Azul	Acende quando o aparelho é alimentado com corrente.
2	LED <i>AVR STATUS</i>	Vermelho	Acende quando o aparelho se encontra no estado de erro.
		Amarelo	Acende quando o aparelho inicia ou é parado; por exemplo, ao atualizar o software.
		Azul	Acende quando o dispositivo se encontra no estado operacional.
3	LED <i>ALARM</i>	Vermelho	Acende assim que houver um evento vermelho.
		Amarelo	Acende assim que houver um evento amarelo.
		Azul	Acende se não houver nenhum evento ou se houver um evento cinza.
4	LED <i>X8 110 V DC saída</i>	Amarelo	Acende quando a saída 110 V DC está ativa.

4.3.3 Conexões e fusíveis

As conexões encontram-se na parte posterior do aparelho. A seção Dados técnicos [► Parágrafo 8, Página 364] contém outras informações sobre as conexões.

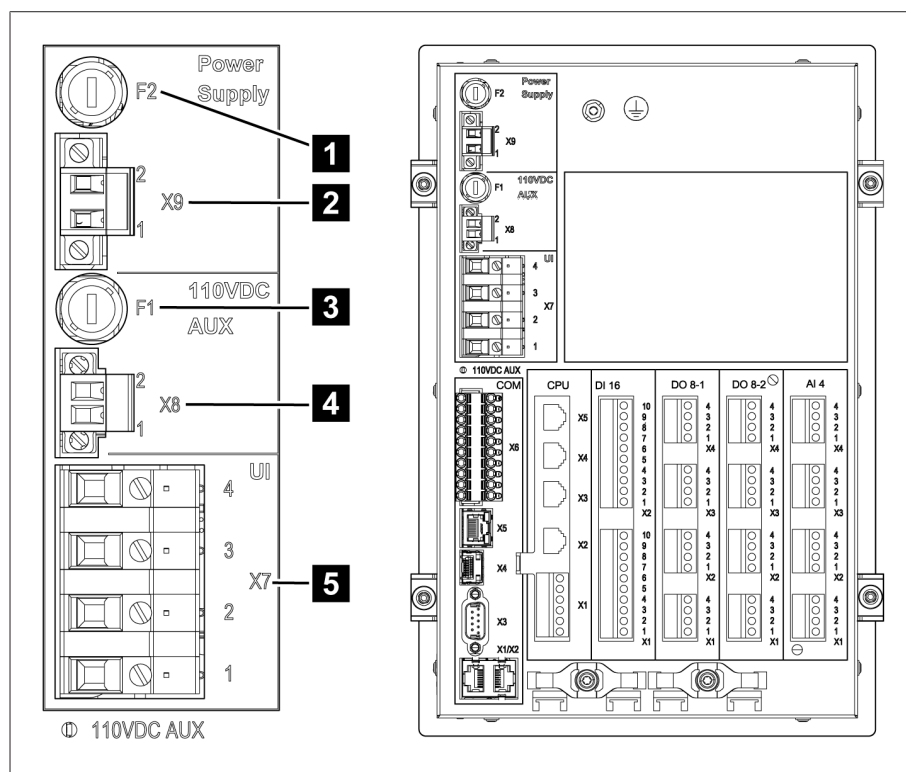


Figura 4: Parte posterior

1	F2	Fusível interno para a alimentação de corrente	2	X9	Alimentação de tensão
3	F1	Fusível interno para a fonte da tensão auxiliar 110 V DC ⁴³	4	X8	Fonte de tensão auxiliar 110 V DC AUX ⁴³
5	X7	Medição de tensão e medição de corrente			

⁴³ Em aparelhos com DI 16-110 V, pode ser utilizada para a alimentação das entradas digitais. Com base na designação dos terminais de conexão na parte posterior do aparelho, verifique quais variantes estão disponíveis no seu caso.

Conexões e terminais

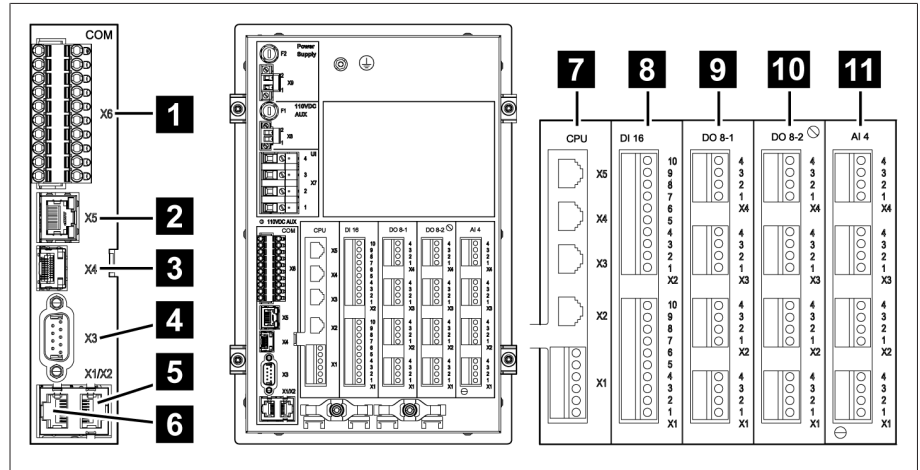


Figura 5: Conexões e terminais

1	COM-X6	Interface CAN Bus ⁴⁴ / SCADA RS485 ⁴⁵ / coroa potenciométrica	2	COM-X5	Interface para cabo patch para SCADA através de condutor de fibra óptica
3	COM-X4	Condutor de fibra óptica ⁴⁵ (gaiola SFP para o módulo SFP)	4	COM-X3	Interface SCADA RS232 ⁴⁵
5	COM-X2	Interface para a visualização através da interface frontal	6	COM-X1	Interface para cabo patch para RS232 ou RS485
7	CPU	Unidade central de processamento	8	DI 16-110 V DI 16-220 V	Entradas digitais ⁴⁶
9	DO 8-1	Saídas digitais ⁴⁴	10	DO 8-2	Saídas digitais ⁴⁴
11	AI 4	Entradas analógicas ⁴⁴			

4.3.4 Placa de características

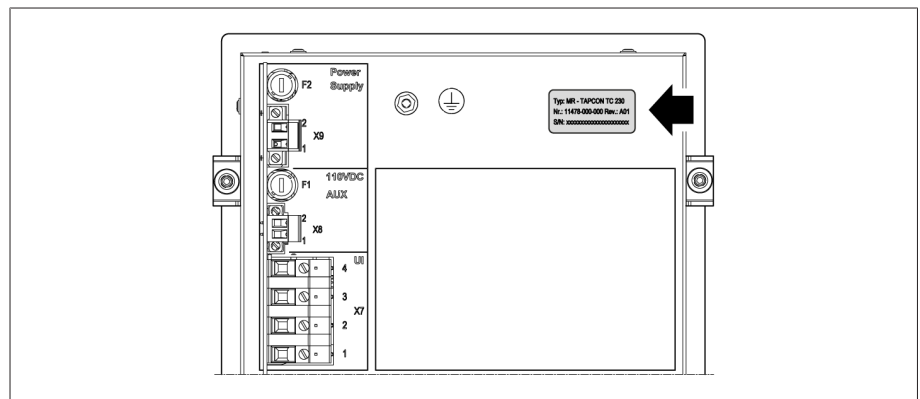



Figura 6: Placa de características na parte posterior do aparelho

44 Disponível somente nas variantes Pro, Expert e AVT.

45 Somente na variante Expert.

46 Com base na designação dos terminais de conexão na parte posterior do aparelho, verifique quais variantes estão disponíveis no seu caso.

4.3.5 Sinalizações de segurança

	Advertência de uma área de perigo Leia as informações nas instruções de serviço do produto.
---	---

4.3.6 Esquema de conexão e parafuso de ligação à terra

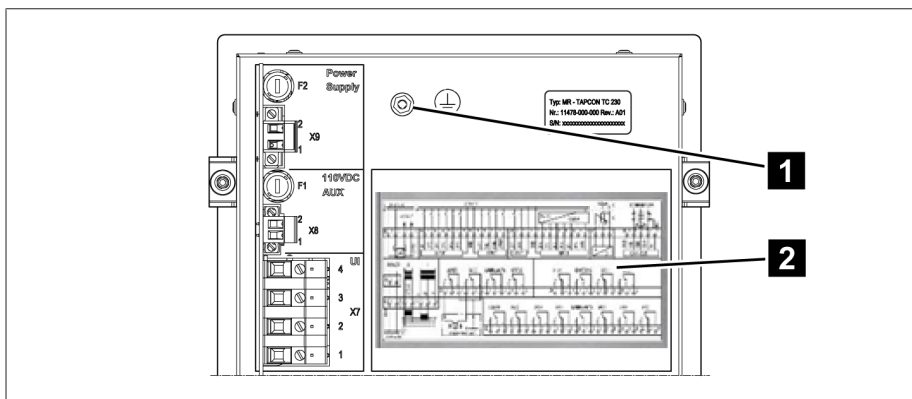


Figura 7: Esquema de conexão, parafuso de ligação à terra

1	Parafuso de ligação à terra	2	Esquema de conexão
---	-----------------------------	---	--------------------

4.3.7 Visualização

4.3.7.1 Tela principal

Início

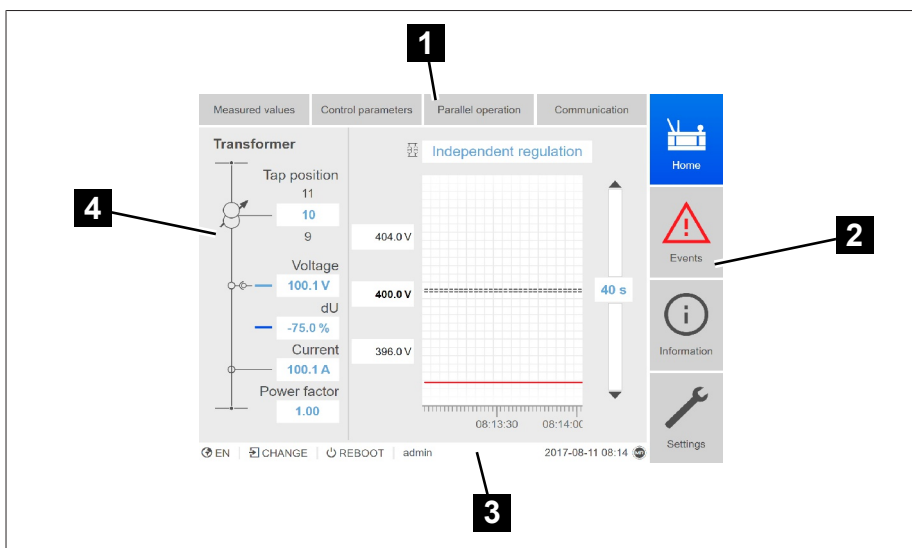


Figura 8: Início

1	Navegação secundária ou caminho de navegação	2	Navegação primária
3	Barra de estado	4	Faixa de indicação

Valores de medição/indicação

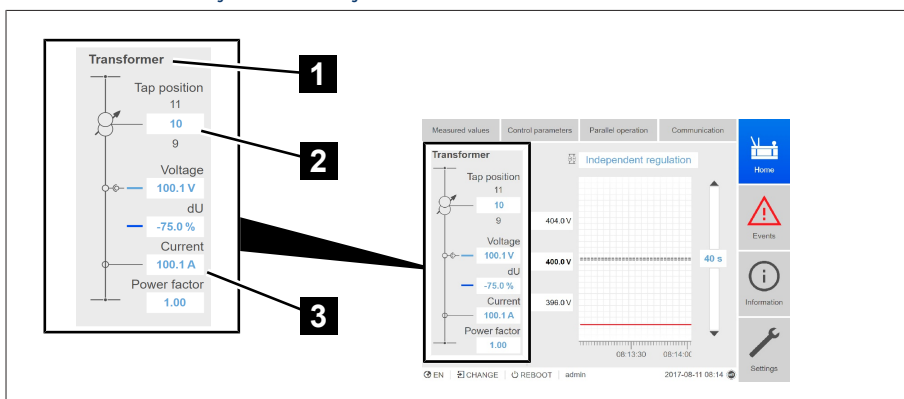


Figura 9: Valores de medição/indicação

1	Denominação do transformador (editável)	2	Posição de tap ⁴⁷
3	Valores de medição atuais: tensão, desvio de regulagem com correção, corrente, fator de potência		

Valores de referência/valores reais/tempo de retardamento

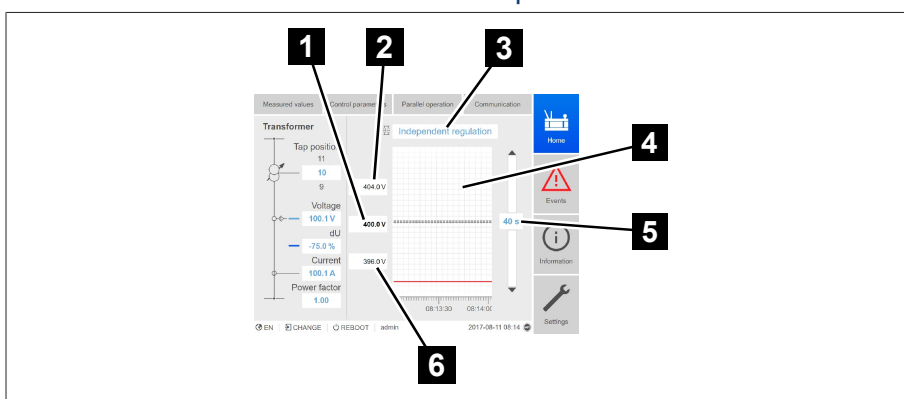


Figura 10: Valores de referência/valores reais/tempo de retardamento

1	Valor de referência	2	Limite superior da faixa de operação
3	Modo: operação individual/operação em paralelo. ⁴⁸	4	Histórico da tensão corrigida (correção devida à compensação ou operação em paralelo)
5	Tempo de retardamento T1/T2 ⁴⁹	6	Limite inferior da faixa de operação

47 Disponível somente nas variantes TAPCON® 230 Pro, Expert e AVT.

48 Disponível somente nas variantes TAPCON® 230 Pro, Expert e AVT.

49 Tempo de retardamento T2 disponível somente nas variantes TAPCON® 230 Basic, Pro e Expert.

5 Montagem

⚠ PERIGO



Choque elétrico!

Perigo de morte por tensão elétrica Durante trabalhos nas ou junto às instalações elétricas, respeitar sempre as seguintes regras de segurança.

- > Desligar a instalação da eletricidade.
- > Proteger a instalação contra religamento.
- > Verificar se não há tensão em todos os polos.
- > Aterrar e curto-circuitar.
- > Cobrir ou tornar inacessíveis partes vizinhas que estejam sob tensão.

⚠ ADVERTÊNCIA



Choque elétrico!

Durante a operação de um transformador de corrente com circuito de corrente secundário aberto, podem ocorrer tensões perigosamente altas. Isso pode ocasionar a morte, ferimentos graves e danos materiais.

- > Nunca operar transformadores de corrente com o circuito de corrente secundário aberto, curto-circuitar portanto o transformador de corrente.
- > Consulte as informações contidas nas instruções de serviço do transformador de corrente.

AVISO

Danos ao aparelho!

A descarga eletrostática pode causar danos ao aparelho.

- > Tomar precauções para evitar o carregamento eletrostático de superfícies de trabalho e do pessoal.

5.1 Preparação

Para a montagem, você necessita da seguinte ferramenta:



Dependendo do local de montagem e da variante de montagem, você poderá precisar ainda de outras ferramentas, assim como o material de fixação correspondente, como porcas, parafusos, arruelas, que não integram o material fornecido.

- De acordo com a variante de montagem:
 - Serra vertical elétrica para a instalação embutida em painel.
 - Furadeira para montagem na parede (montagem na parede com caixa).
- Chave de fenda para a conexão das linhas de sinal e de alimentação.

5.2 Distâncias mínimas

AVISO

Danos ao aparelho!

A circulação insuficiente do ar ambiente pode provocar danos ao aparelho por sobreaquecimento.

- > Deixar livre a fenda de refrigeração.
- > Prever uma distância suficiente até os componentes vizinhos.
- > Montar o aparelho apenas na posição horizontal (as fendas de ventilação estão situadas em cima e embaixo).

Até o piso do armário de controle	Distância mínima: 88,9 mm (3,5 pol.) Corresponde a 2 HE
Até o teto do armário de controle	
Entre o aparelho e outros módulos no trilho separado	

Tabela 2: Distâncias mínimas no armário de controle

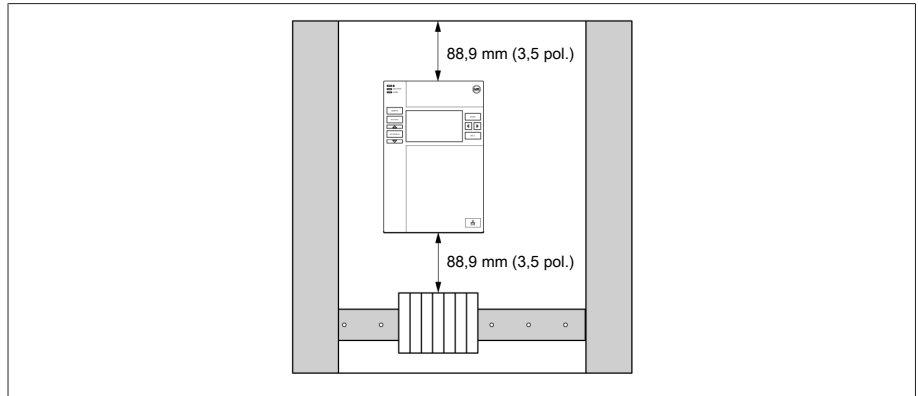


Figura 11: Distâncias mínimas

Para outros tipos de montagem, entre em contato com a Maschinenfabrik Reinhausen GmbH.

5.3 Variantes de montagem

5.3.1 Instalação embutida em painel

É possível montar o aparelho por meio de fixadores em um painel de controle. A espessura recomendada para a parede é 2 mm...5 mm.

Medidas para a abertura do painel

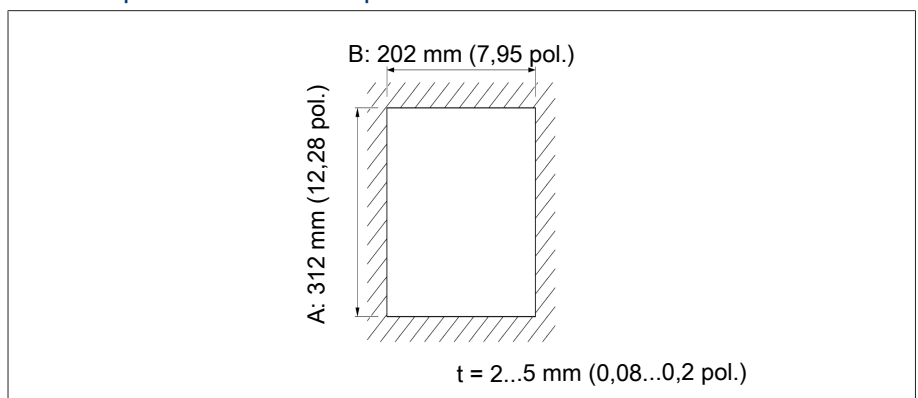


Figura 12: Medida para o recorte

1. Executar o recorte no painel de controle.

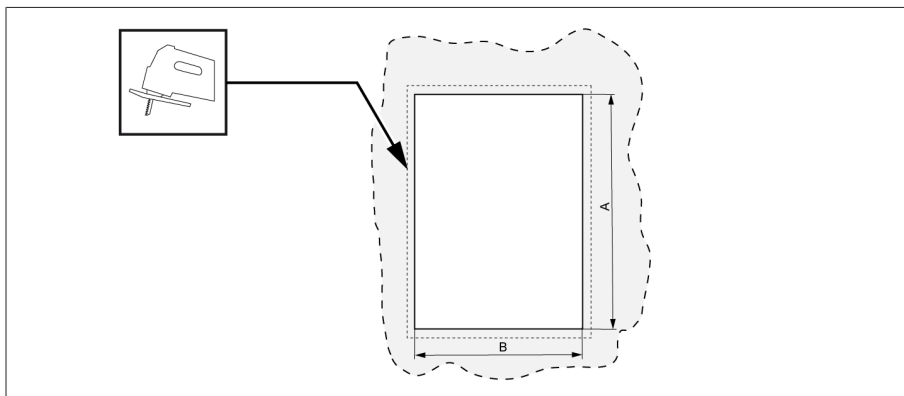


Figura 13: Executar o recorte no painel de controle

2. Inserir o aparelho no recorte pela parte frontal.

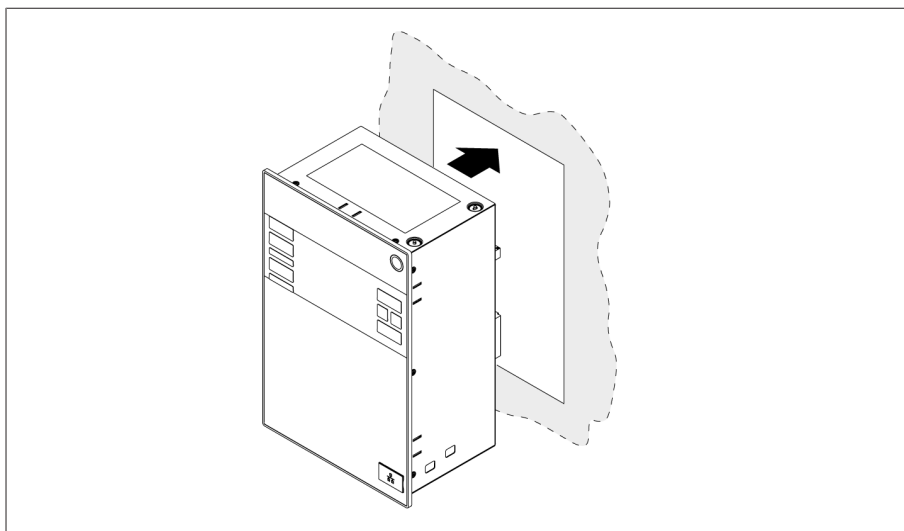


Figura 14: Inserir o aparelho no recorte

3. Inserir os fixadores fornecidos.

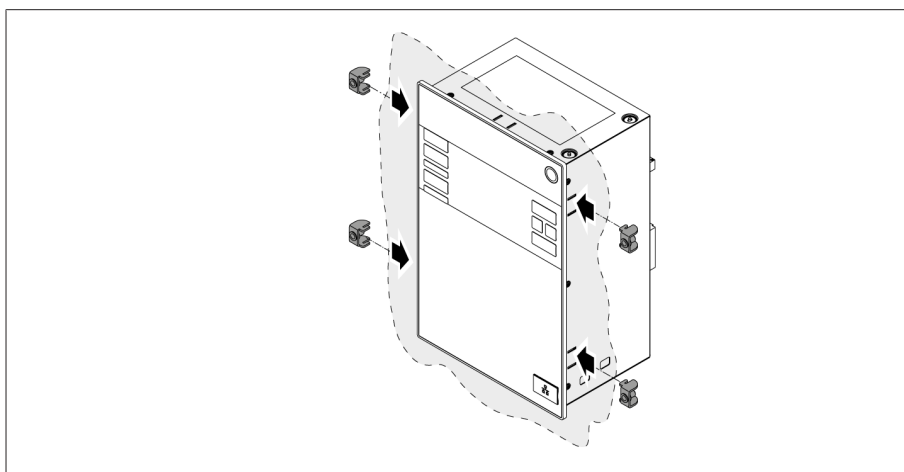


Figura 15: Inserir o aparelho no recorte

4. Parafusar os pinos roscados nos fixadores e fixar o aparelho.

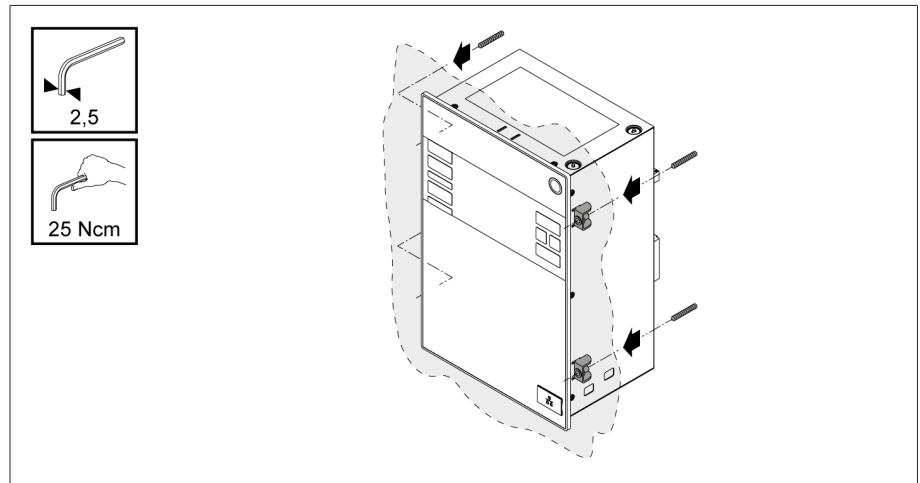


Figura 16: Fixar o aparelho

» O aparelho está montado e pode ser cabeado.

5.3.2 Montagem na parede com caixa (opcional)

Na montagem na parede, o aparelho é fixado em uma caixa na parede com suportes de parede. Utilize os fixadores fornecidos para montar o aparelho na caixa.

5.3.2.1 Furos para a montagem na parede

Faça quatro furos com 6,8 mm de diâmetro cada na parede de acordo com o gabarito apresentado a seguir.

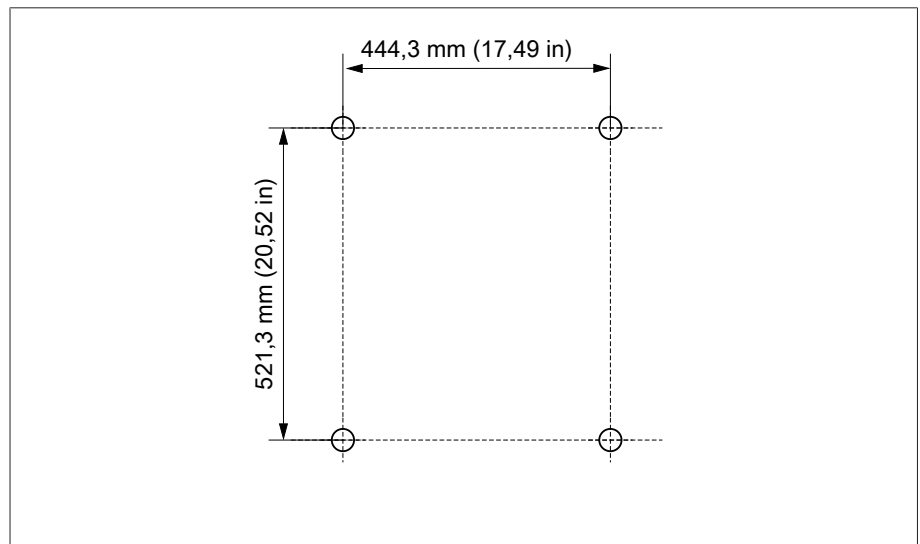


Figura 17: Gabarito de furos para a caixa

5.3.2.2 Instalar a caixa na parede



Os parafusos para montagem na parede não fazem parte do material fornecido. O comprimento de parafuso necessário varia conforme a espessura da parede.

- ✓ **AVISO!** Danos ao aparelho se a porta estiver aberta. Fechar a porta da caixa para evitar danos durante a montagem na parede.
- Fixar a caixa na parede com quatro parafusos M8.

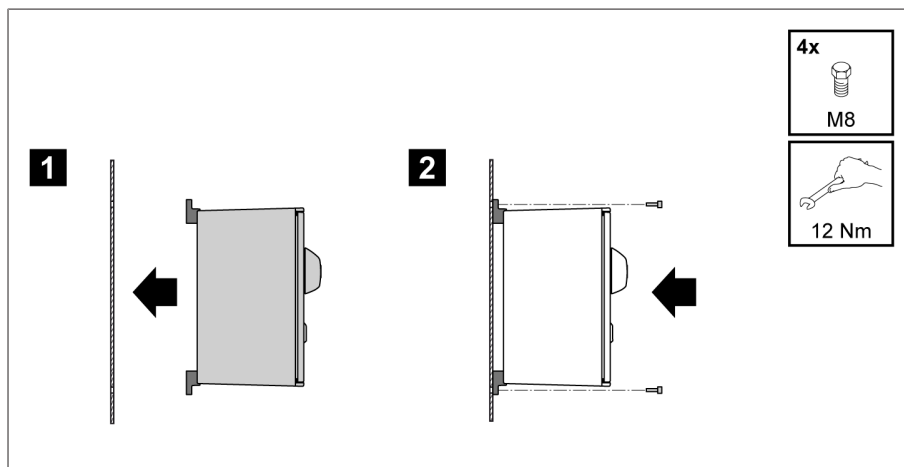


Figura 18: Montagem na parede

» O aparelho está montado e pode ser cabeado.

Execute o cabeamento como indicado do esquema de conexão e como descrito na seção "Conectar o aparelho".

5.3.2.3 Montar o aparelho na caixa

- ✓ Abrir a armação articulada da caixa.
- 1. Inserir o aparelho na armação articulada da caixa pela parte frontal.

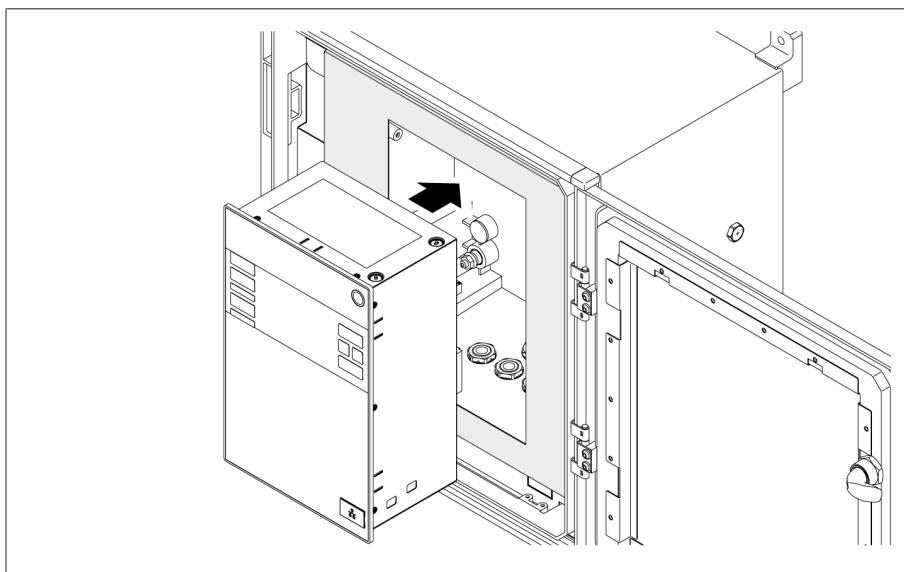


Figura 19: Inserir o aparelho na armação articulada

2. Inserir os fixadores fornecidos.

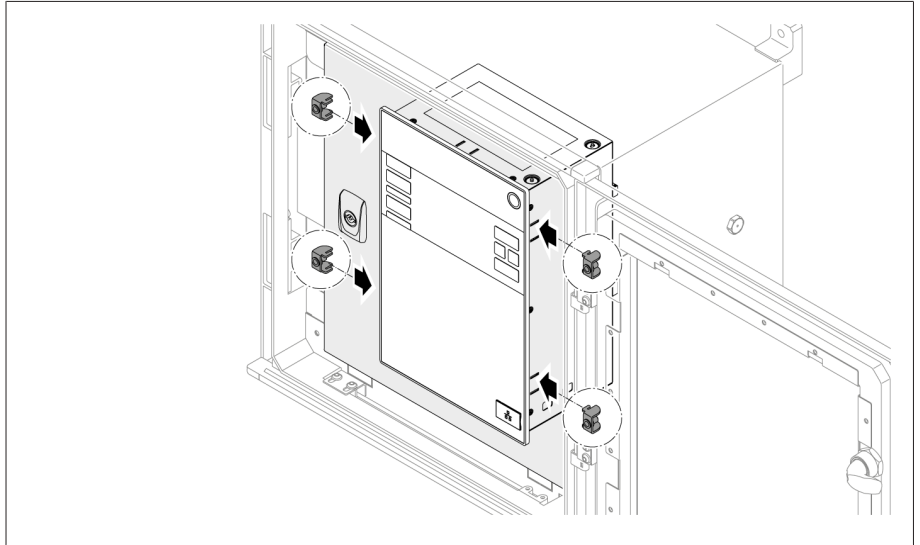


Figura 20: Inserir o aparelho no recorte

3. Parafusar os pinos roscados no furo do fixador e fixar o aparelho.

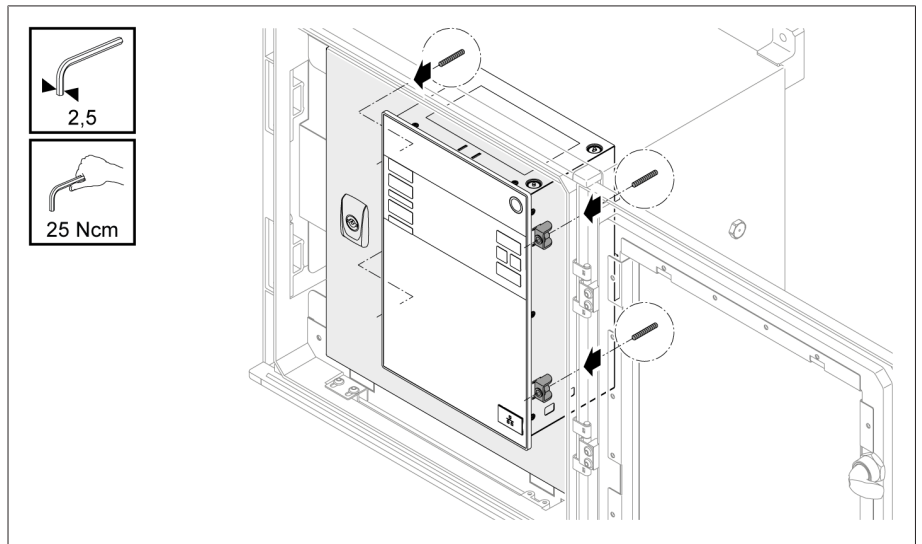


Figura 21: Fixar o aparelho

» O aparelho está montado e pode ser cabeado.

5.4 Conectar o aparelho

▲ ADVERTÊNCIA



Choque elétrico!

Erros de conexão pode ocasionar a morte, ferimentos e danos materiais.

- > Aterrar o aparelho através do parafuso de ligação à terra fixado na caixa com um condutor de proteção.
- > Observar a sequência de fases das conexões secundárias do transformador de corrente e do transformador de tensão.
- > Conectar corretamente o relé de saída ao acionamento motorizado.



Conduza tensões por dispositivos de isolamento e garanta que os caminhos da corrente possam ser ligados em curto-circuito. Coloque uma identificação clara no dispositivo de isolamento e permita o acesso livre a ele nas proximidades da alimentação de corrente do aparelho. Desse modo, se houver algum defeito, é possível trocar o aparelho sem problemas.

Informações sobre o cabeamento

- Para uma melhor visão geral do conjunto ao conectar, faça o cabeamento somente com tantos cabos quanto forem necessários.
 - Observe o esquema de conexão [►Parágrafo 8.14, Página 376].
 - Para o cabeamento, utilize exclusivamente os cabos especificados. Observe os cabos recomendados [►Parágrafo 5.4.1, Página 344].
 - **AVISO!** Danos aos terminais! Parafusos apertados demais podem danificar os terminais. Ao apertar os terminais com parafusos, tenha o cuidado de aplicar torque de aperto de 0,4 Nm.
 - Faça o cabeamento das linhas na periferia do equipamento.
 - Para uma montagem na parede com caixa (opcional):
 - No cabeamento do aparelho, utilizar, se necessário, os prensa-cabos sob a carcaça.
 - **AVISO!** Danos ao aparelho! Prensa-cabos abertos já não podem garantir o grau de proteção IP. Colocar tampas de vedação nos prensa-cabos não utilizados.
1. Desconectar os conectores necessários.
 2. Isolar os cabos e fios.
 3. Crimpar os fios cochados com caixas terminais.
 4. Inserir os fios nos respectivos terminais dos conectores.
 5. Fixar os parafusos dos terminais correspondentes com auxílio de uma chave de fenda.
 6. Conectar os conectores nas respectivas tomadas.
 7. Inserir um protetor nos chicotes de cabos.

5.4.1 Cabos recomendados

No cabeamento do aparelho, observe a seguinte recomendação da Maschinenfabrik Reinhausen.



Capacitâncias de linha muito altas podem impedir que os contatos de relé interrompam a corrente de contato. Em circuitos de controle acionados por corrente alternada, considere a influência da capacitância de linha de cabos de controle longos no funcionamento dos contatos de relé. Para executar conexões Ethernet fora de um armário de distribuição ou edifício, recomenda-se o uso de condutores de fibra óptica (conforme recomendação da IEC 61850-90-4).

Cabo	Interface	Tipo de cabo	Seção transversal do condutor	Comprimento máximo
Fornecimento de energia (externa)	X9	sem blindagem	1,5 mm ²	-
Medição de tensão	UI-X7	blindado	2,5 mm ²	-
Medição de corrente	UI-X7	sem blindagem	2,5 mm ²	-
Entradas de sinal digitais	DI 16	blindado	1,5 mm ²	400 m (<25 Ω/km)
Saídas digitais de sinal ⁵⁰	DO 8	blindado	1,5 mm ²	-
Entradas de sinal analógicas	AI 4	blindado	1 mm ²	400 m (<25 Ω/km)
RS232, D-SUB 9 pinos	COM-X3	blindado	0,25 mm ²	25 m
RS485	COM-X6	blindado	0,25 mm ²	140 m
CAN Bus	COM-X6	blindado	0,75 mm ²	2000 m (CAN-Bus completo)
Ethernet RJ45	X2, X3	mín. Cat-5, blindado S/FTP	-	100 m
Fibra óptica Ethernet	COM-X4	Duplex LC multimodo, Om3, 1310 nm	-	2000 m
Saída de 110 V DC	X8	sem blindagem	1,5 mm ²	-
Cabo patch RJ45	-	mín. Cat-5, blindado S/FTP	-	aprox. 30 cm

Tabela 3: Recomendação para cabos de conexão

5.4.2 Compatibilidade eletromagnética

O aparelho foi desenvolvido em conformidade com as normas de CEM aplicáveis. Para que as exigências das normas de CEM sejam mantidas, devem ser observados os pontos indicados a seguir.

5.4.2.1 Exigência relativa ao cabeamento do local de montagem

Ao escolher o local de montagem, observe o seguinte:

- A proteção contra sobretensão da instalação deve ser eficaz.
- A ligação à terra da instalação de corresponder aos regulamentos técnicos.
- Peças separadas da instalação devem ser ligadas através de uma compensação de potencial.
- O aparelho e o respectivo cabeamento devem manter uma distância mínima de 10 m a interruptores de potência, separadores de carga e barramentos.

5.4.2.2 Exigência relativa ao cabeamento do local de operação

Durante o cabeamento do local de operação, observe o seguinte:

- Instalar os condutores de ligação em canais de cabo metálicos aterrados.
- Não acondicionar, no mesmo canal de cabos, condutores propensos a causar interferência (por exemplo, condutores de alimentação) ou condutores sensíveis a interferência (por exemplo, condutores de sinal).
- Manter uma distância maior que 100 mm entre as linhas que geram interferência e linhas sensíveis a interferência.

⁵⁰ Observar a capacitância dos cabos, ver nota acima.

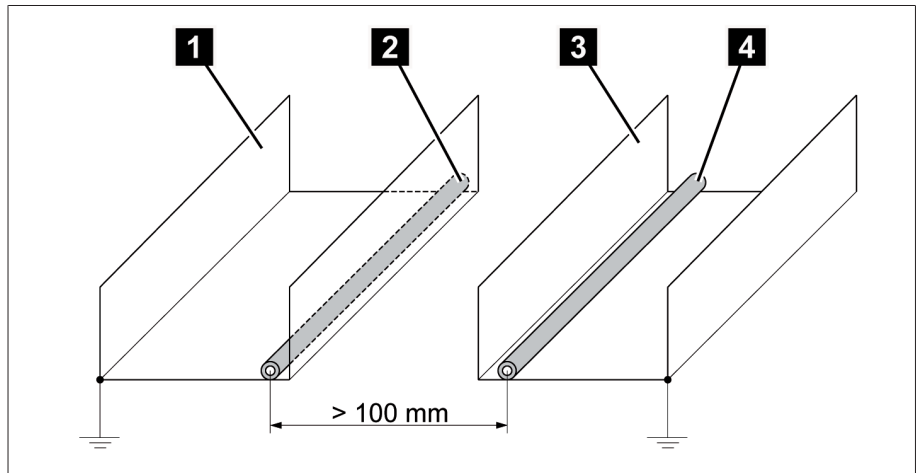


Figura 22: Acondicionamento de cabos recomendado

1	Canal de cabos para condutores propensos a causar interferência	3	Canal de cabos para condutores sensíveis a interferência
2	Condutor propenso a causar interferência (por exemplo, condutor de alimentação)	4	Condutor sensível a interferência (por exemplo, condutor de sinal)

- Ligar à terra e curto-circuitar os condutores de reserva.
- Nunca conectar o aparelho a um condutor principal de quatro fios.
- Para a transmissão de sinais, utilizar linhas blindadas com condutores separados enrolados aos pares (condutor de saída/retorno).
- Ligar a blindagem de superfície completa (360°) no dispositivo ou a um trilho de aterramento.



A utilização de condutores separados pode reduzir consideravelmente a eficácia da blindagem. Ligue a blindagem com pouca extensão e por toda a superfície.

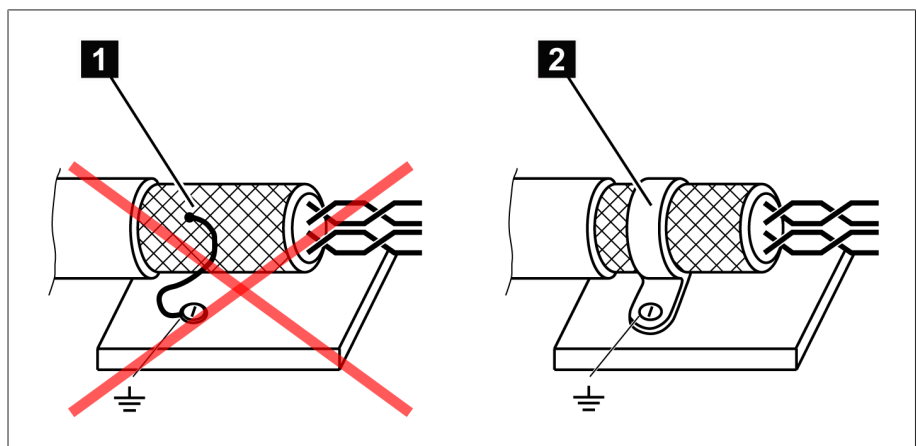


Figura 23: Blindagem recomendada da blindagem

1	Ligação da blindagem através de um condutor único	2	Ligação da blindagem de superfície completa
---	---	---	---

5.4.2.3 Exigência relativa ao cabeamento no armário de distribuição

No cabeamento do armário de distribuição, observe o seguinte:

- O armário de distribuição para a montagem do aparelho deve estar preparado para EMC:
 - Divisão funcional do armário de distribuição (separação espacial)
 - Compensação de potencial constante (todas as peças de metal são interligadas)
 - Cabeamento em conformidade com EMC (separação de linhas propensas a causar interferência de linhas sensíveis a interferência)
 - Eficácia otimizada da blindagem (caixa de metal)
 - Proteção contra sobretensão (proteção contra raios)
 - Aterramento geral (barra de aterramento principal)
 - Passagens de cabos em conformidade com EMC
 - As bobinas de acionador existentes devem ser conectadas
- Os cabos de conexão do aparelho devem ser dispostos bem próximos à caixa aterrada ou em suportes de cabos de metal aterrados.
- As linhas de sinal e de alimentação/comutação devem ser acondicionadas em suportes de cabos separados.
- O aterramento [►Parágrafo 5.4.12.2, Página 356] do aparelho deve ser feito pelo parafuso previsto para essa finalidade com um cabo de aterramento.

5.4.3 Conectar as linhas na periferia do equipamento

Para ter uma melhor visão do conjunto ao conectar, faça o cabeamento somente de tantos cabos quanto forem necessários

Para conectar as linhas à periferia da instalação, faça o seguinte:

- ✓ Para o cabeamento, utilize exclusivamente os cabos especificados. Observe os cabos recomendados [►Parágrafo 5.4.1, Página 344].
- Conecte à periferia da instalação as linhas que devem ser cabeadas com o aparelho conforme os esquemas de conexão fornecidos.

5.4.4 Conectar o CAN Bus

Disponível somente nas variantes TAPCON® 230 Pro, Expert e AVT.

5.4.4.1 Blindar o CAN Bus

Para a operação sem erros do CAN Bus é necessário conectar a blindagem de acordo com uma das variantes seguintes. Se não for possível implementar nenhuma das variantes mencionadas a seguir, recomendamos a utilização de cabos de fibra de vidro. Os cabos de fibra de vidro desconectam os aparelhos e não são sensíveis a transientes eletromagnéticos (surge e burst).

AVISO

Danos ao aparelho!

Se o cabo CAN Bus for conectado a aparelhos com potenciais diferentes, poderá haver um fluxo de corrente através da blindagem. Essa corrente pode causar danos ao aparelho.

- Conectar os aparelhos para a compensação de potencial a uma barra de compensação de potencial.
- Se ambos os aparelhos tiverem potenciais diferentes, conectar a blindagem do cabo CAN Bus somente a um aparelho.

Variante 1: os aparelhos conectados têm o mesmo potencial

1. Conectar todos os aparelhos para a compensação de potencial a uma barra de compensação de potencial.
2. Conectar a blindagem do cabo do CAN Bus a todos os aparelhos conectados.

Variante 2: os aparelhos conectados têm potenciais diferentes



Observe que a eficácia da blindagem é menor nesta variante.

- ✓ Conectar a blindagem do cabo do CAN Bus **somente a um** aparelho.
- ✓ Conecte os fios do cabo blindado do CAN Bus aos pinos 10 (CAN H); 9 (CAN GND) e 8 (CAN L) do conector COM-X6.

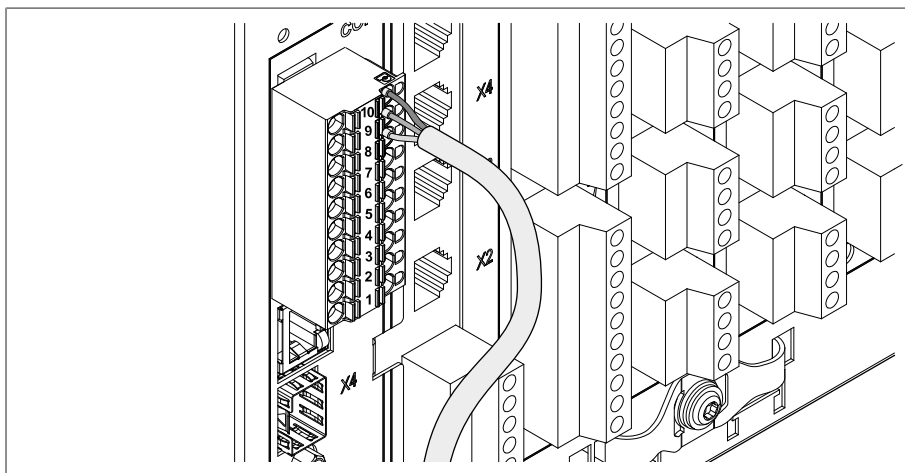


Figura 24: Conectar os fios nos pinos 10, 9 e 8

- > Colocar a blindagem do cabo, parafusá-lo com o terminal de blindagem fornecido e fixá-lo com um protetor (abraçadeira para cabos).

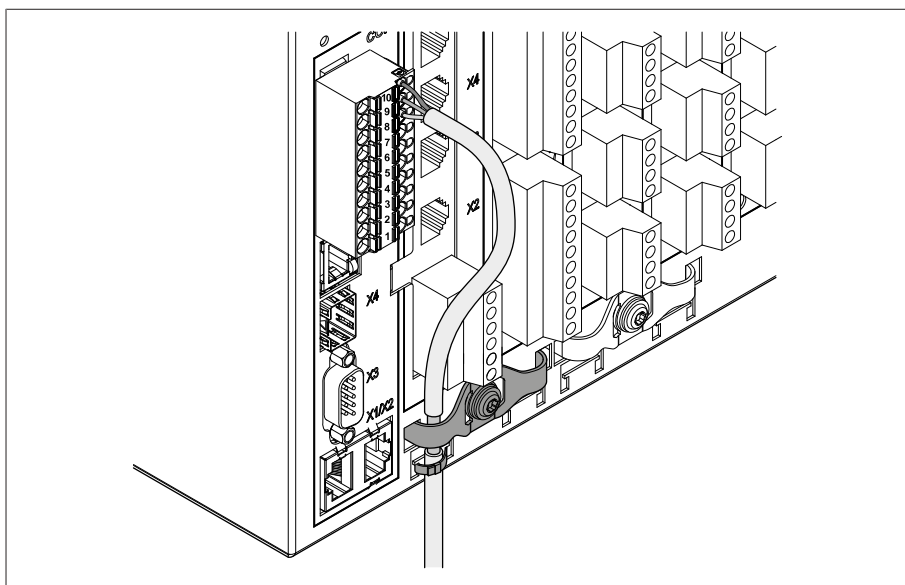


Figura 25: Terminal de blindagem e protetor

5.4.4.2 Montar a resistência final do CAN Bus

Para usar o aparelho na operação em paralelo, monte uma resistência final de 120 Ω em ambas as extremidades do CAN Bus.

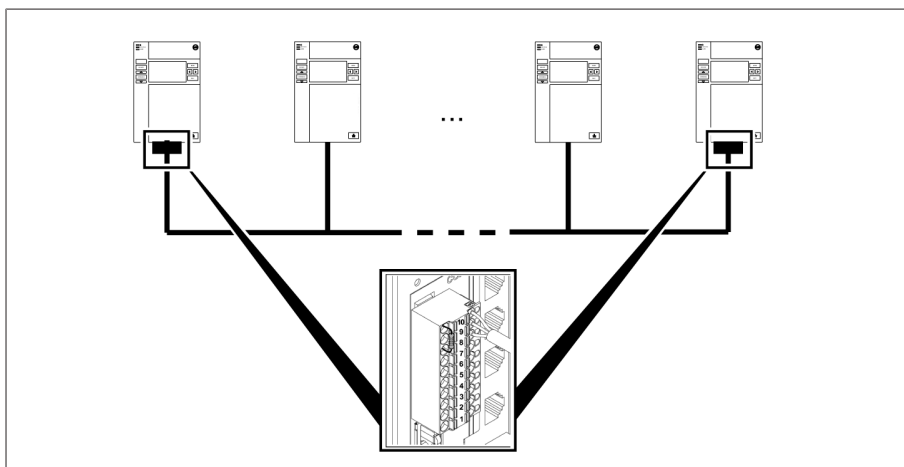


Figura 26: Resistência final do CAN Bus

- > Montar a resistência final nos pinos 10; 9 e 8 do conector COM-X6.

5.4.5 Conectar SCADA



Disponível somente nas variantes TAPCON® 230 Expert e AVT.

AVISO

Danos ao aparelho!

A utilização de cabos de dados incorretos pode ocasionar danos ao aparelho.

- > Utilizar exclusivamente cabos que correspondam à descrição a seguir.

Dependendo da conexão do sistema de controle usado, você deverá conectar o aparelho com uma das seguintes variantes.

5.4.5.1 Interface serial RS485 (COM-X6)

Se desejar utilizar a interface serial RS485, monte uma resistência final de 120 Ω em ambas as extremidades do barramento RS485.

1. Conecte os fios do cabo blindado nos pinos 7 (Data +); 6 (GND) e 5 (Data -) do conector COM-X6.

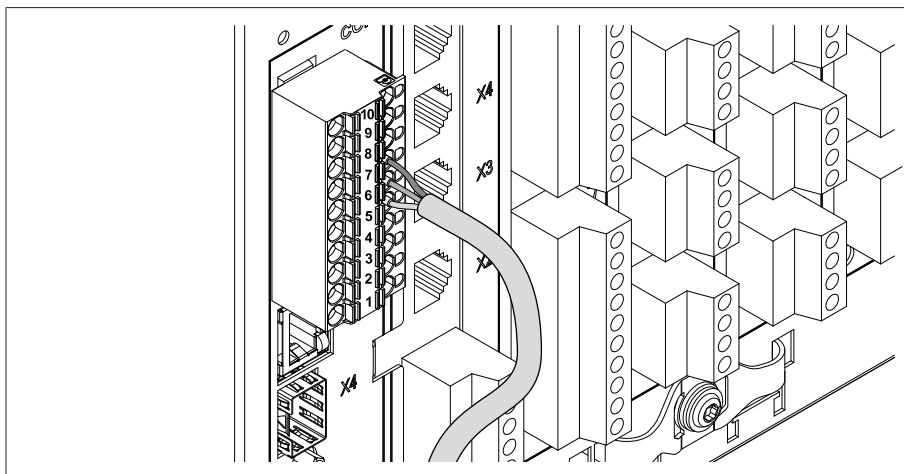


Figura 27: Conectar os fios nos pinos 7, 6 e 5

2. Colocar a blindagem do cabo, parafusá-lo no terminal de blindagem fornecido e fixá-lo com um protetor para alívio de tração (abraçadeira para cabos).

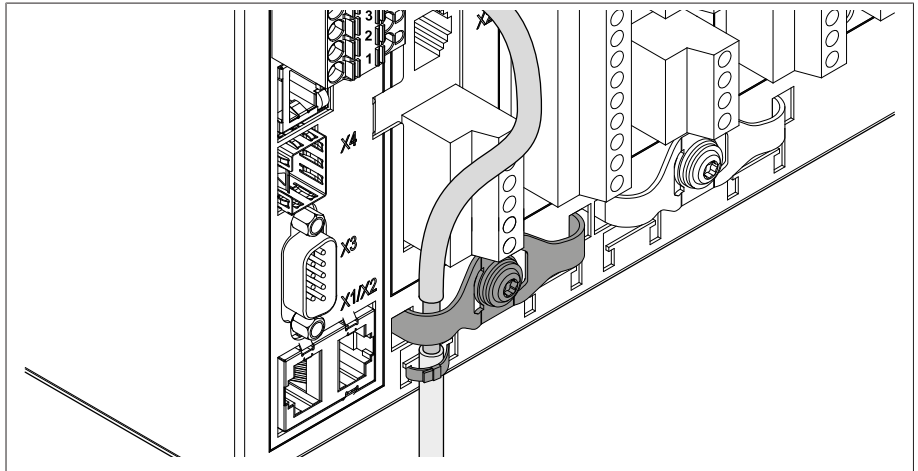


Figura 28: Terminal de blindagem e protetor

3. Interligar a interface RJ45 COM-X1 e a interface CPU-X4 com o cabo patch fornecido.

5.4.5.2 Interface serial RS232 (D-SUB 9 pinos)

Cabo de dados

Para a conexão do aparelho através da interface serial RS232, utilize um cabo de dados conforme a seguinte estrutura:

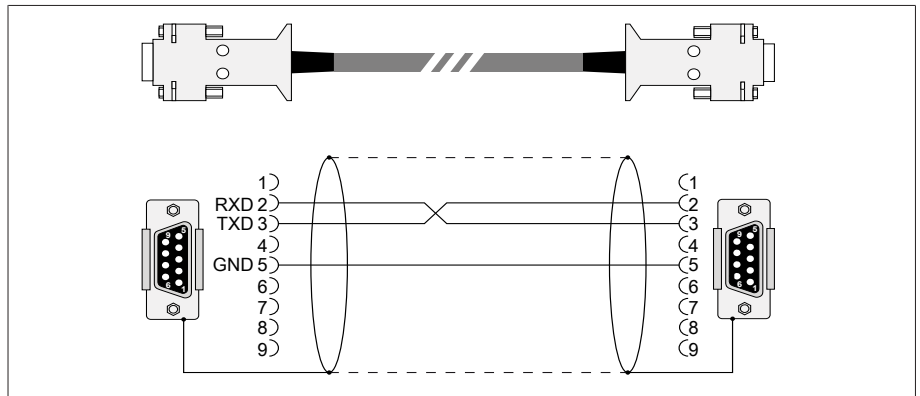


Figura 29: Cabo de dados RS232 (9 pinos)

Conexão de encaixe D-SUB 9 pinos

Utilize exclusivamente conectores D-SUB de 9 pinos com as seguintes características:

- A caixa do conector é metálica ou metalizada
- A blindagem do cabo é ligada ao conector de acordo com uma das duas variantes:
 - A blindagem é parafusada ao protetor.
 - A blindagem é soldada à caixa do conector.

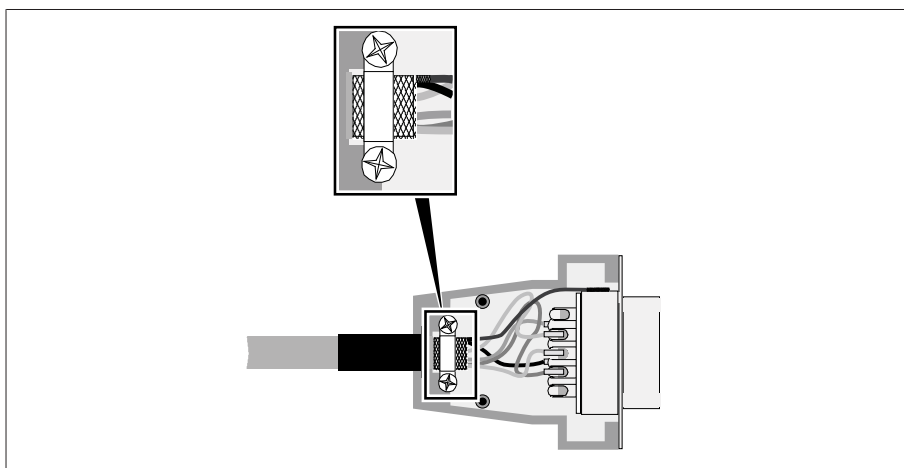


Figura 30: Exemplo de uma blindagem soldada à caixa do conector

Conexão

1. Conectar o conector D-Sub de 9 pinos à interface COM-X3.
2. Interligar a interface RJ45 COM-X1 com a interface CPU-X5 com o cabo patch fornecido.

5.4.5.3 Fibra óptica

Para isso, observe os dados do fabricante da fibra óptica, além das seguintes informações, para garantir uma transmissão de dados sem erros:

- Os raios de curvatura mínimos permitidos não podem ser ultrapassados (não dobrar a fibra óptica).
- Os cabos de fibra óptica não podem ser estirados nem comprimidos. Respeite os respectivos valores de carga permitidos.
- Os cabos de fibra óptica não podem ser torcidos nem entrançados.
- Durante a instalação, tenha cuidado com arestas afiadas, pois essas podem danificar o revestimento dos cabos de fibra óptica ou podem posteriormente exercer sobrecarga mecânica sobre o revestimento.
- Deixe uma reserva de cabo suficiente na área dos armários de distribuição. Posicione a reserva de modo a impedir que o cabo de fibra óptica seja dobrado ou girado ao ser ajustado.

Condutor de fibra óptica 1310 nm multimodo

1. Inserir o módulo SFP na interface COM-X4 **1** e travar o fecho **2**.

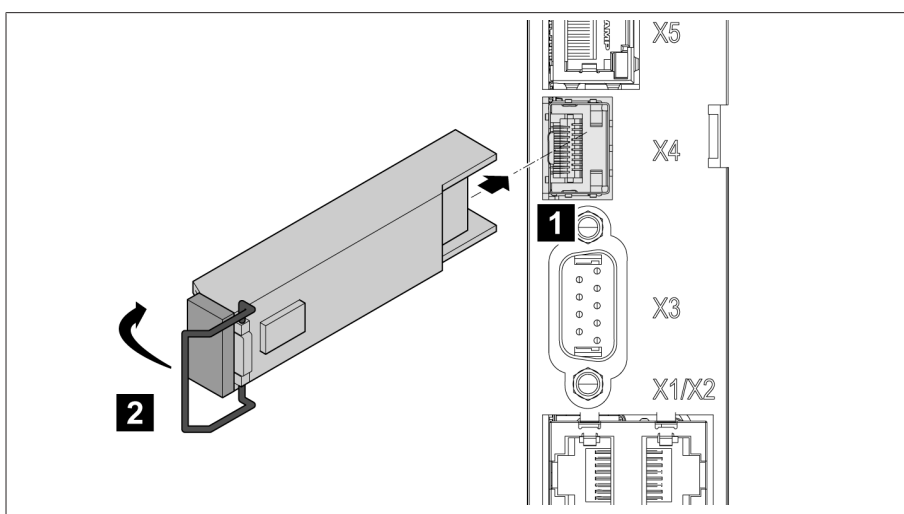


Figura 31: Encaixar o módulo SFP

2. Remover protetor do módulo SFP.

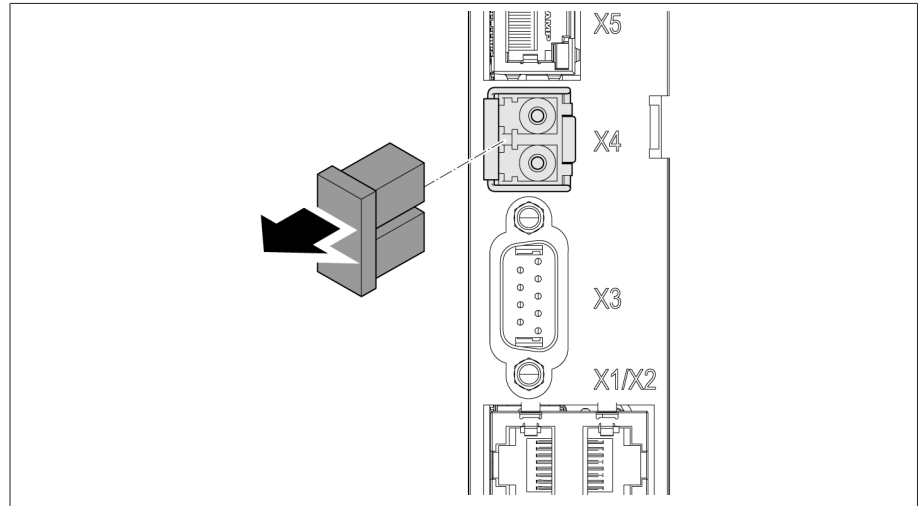


Figura 32: Remover proteção contra pó

3. Conectar o condutor de fibra óptica com LC Duplex no módulo SFP COM-X4.
4. Interligar as interfaces COM-X5 e CPU-X2 com o cabo patch fornecido.

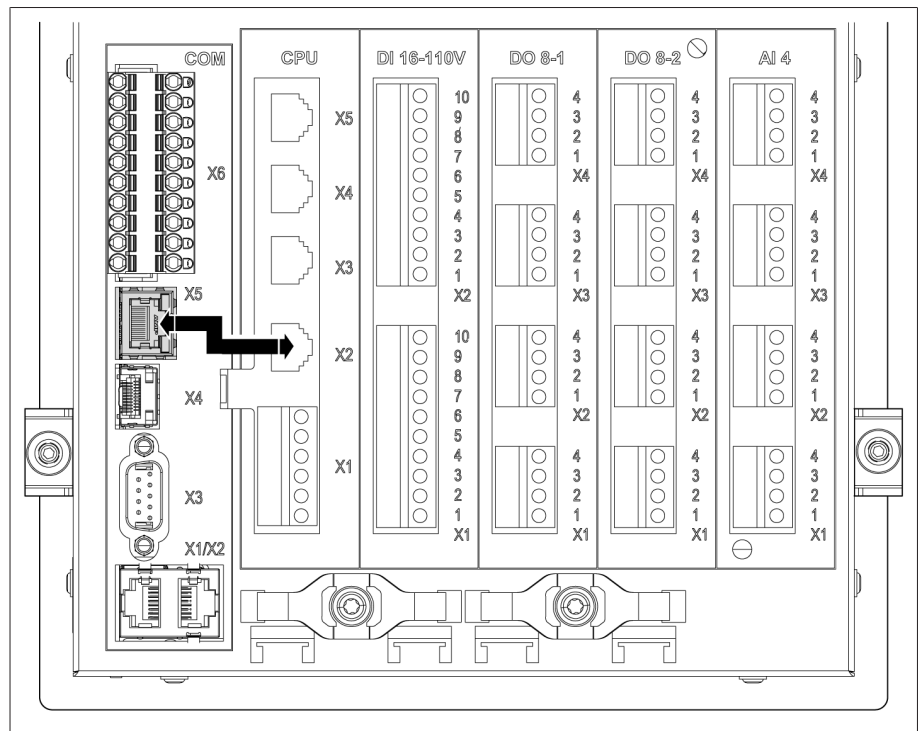


Figura 33: Conectar CPU-X5 e COM-X2

Cabo serial de fibra óptica

Para conectar o sistema de controle via cabo serial de fibra óptica, você precisa do conversor de fibra óptica CM-0847.

- > Conectar o cabo serial de fibra óptica e o conversor à interface CPU-X5.

5.4.5.4 Interface Ethernet

- > Conectar o cabo Ethernet (conector RJ45) à interface CPU-X3.

5.4.6 Cabeamento da medição de tensão/medição de corrente UI

É necessário proteger o circuito para a medição da tensão conforme a seção transversal do condutor utilizado. É possível utilizar os seguintes tipos de fusível:

	Disjuntor	Fusível lento
Norma	IEC 60947-2	IEC 60269
Tensão nominal	400 V (L-L) ou 230 V (L-N)	
Corrente estipulada	30 mA...16 A	
Características	B, C, K ou Z	Rápido, médio ou lento
Capacidade nominal de comutação	50 kA No caso de instalação conforme IEC 61010-2-30 CAT II: 10 kA	

Tabela 4: Tipos de fusíveis permitidos

1. Medição de tensão: passar os fios nos terminais UI:X7-4 (condutor N) e UI:X7-3 (condutor L) e prendê-los com o auxílio de uma chave de fenda.

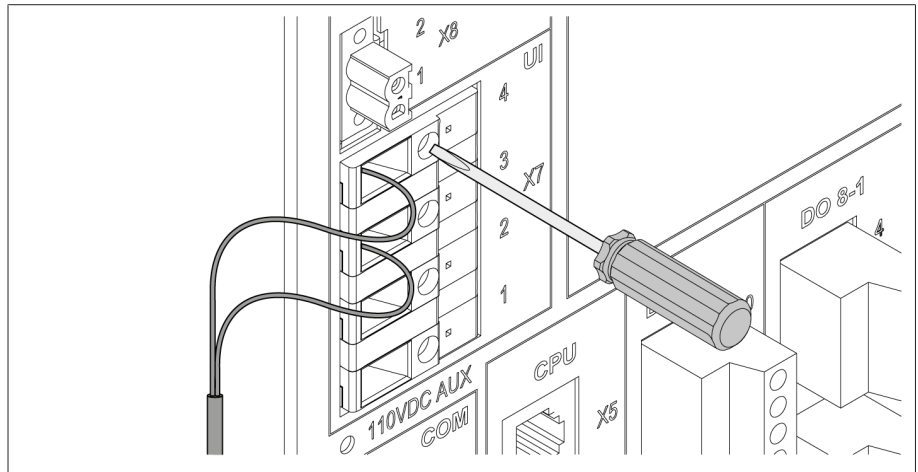


Figura 34: UI:X7-4/3

2. Medição de corrente: passar os fios nos terminais UI:X7-2 (l) e UI:X7-1 (k) e prendê-los com o auxílio de uma chave de fenda.

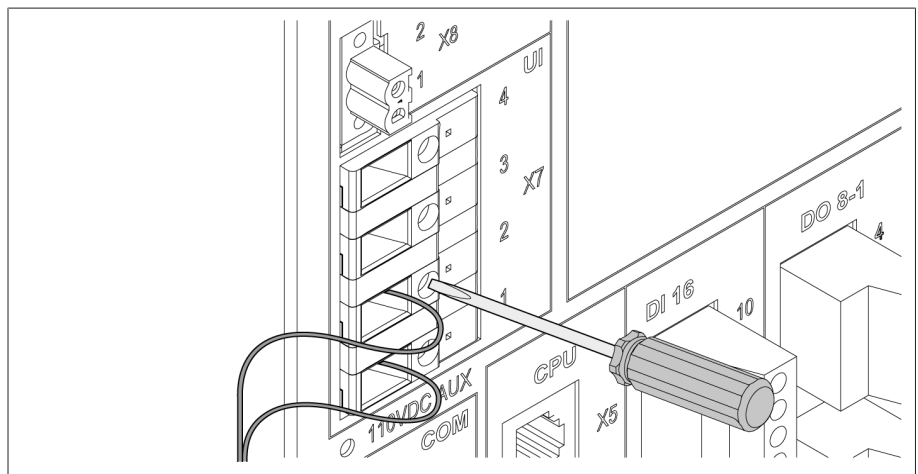


Figura 35: UI:X7-2/1

5.4.7 Cabear entradas analógicas AI

AVISO

Danos ao aparelho e aos sensores!

Entradas/saídas analógicas conectadas e configuradas incorretamente podem causar danos ao aparelho e ao sensor.

- > Seguir as instruções para a conexão de sensores analógicos.
- > Configurar entradas e saídas analógicas de acordo com os sensores conectados.

É possível conectar os seguintes tipos de sensores analógicos:

- 0/4...20 mA
- 0...10 V
- PT100/PT1000 (2 condutores, 3 condutores, 4 condutores) indiretamente através do transdutor

Para uma recepção de sinais analógicos isenta de erros, é preciso ligar a blindagem do cabo à barra de aterramento. A blindagem do cabo deverá ter a menor distância possível até a conexão para manter os condutores não blindados com a menor extensão possível. A conexão da blindagem deve ser feita com braçadeiras de blindagem.

Diagrama em bloco e variantes de circuito

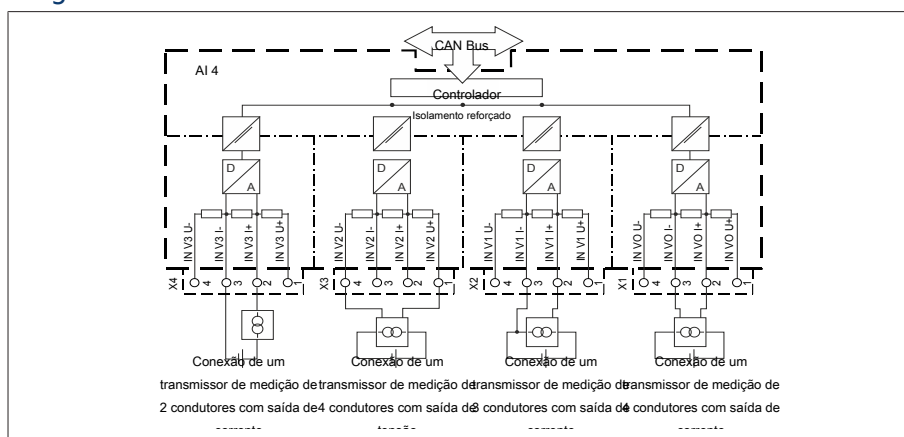


Figura 36: Diagrama em bloco para entradas analógicas

1. Passar os fios no terminal do conector e prender com auxílio de uma chave de fenda.
2. Inserir o conector na tomada correspondente de acordo com o esquema de conexão [► Parágrafo 8.14, Página 376] e parafusar.

5.4.8 Cabear entradas digitais DI 16-110 V

Se o aparelho tiver as conexões DI 16-110 V, essas deverão ser alimentadas com uma tensão auxiliar de 110 V DC.



Com base na designação dos terminais de conexão na parte posterior do aparelho, verifique quais variantes estão disponíveis no seu caso.

1. Inserir os fios no terminal de acordo com o esquema de conexão [► Parágrafo 8.14, Página 376] DI 16-110 V e prendê-los com o auxílio de uma chave de fenda.
2. Inserir o conector na tomada correspondente e parafusar.

Alimentação de corrente auxiliar para entradas digitais

1. Inserir os fios nos terminais X8:2 e X8:1 do conector X8 de acordo com o esquema de conexão [►Parágrafo 8.14, Página 376] e prendê-los com o auxílio de uma chave de fenda.
2. Inserir o conector na tomada correspondente e parafusar.

5.4.9 Cabear entradas digitais DI 16-220 V

Se o aparelho tiver as conexões DI 16-220 V, faça o seguinte:



Com base na designação dos terminais de conexão na parte posterior do aparelho, verifique quais variantes estão disponíveis no seu caso.

1. Inserir os fios no terminal de acordo com o esquema de conexão [►Parágrafo 8.14, Página 376] DI 16-220 V e prendê-los com o auxílio de uma chave de fenda.
2. Inserir o conector no soquete correspondente e parafusar.

5.4.10 Cabear saídas digitais DO

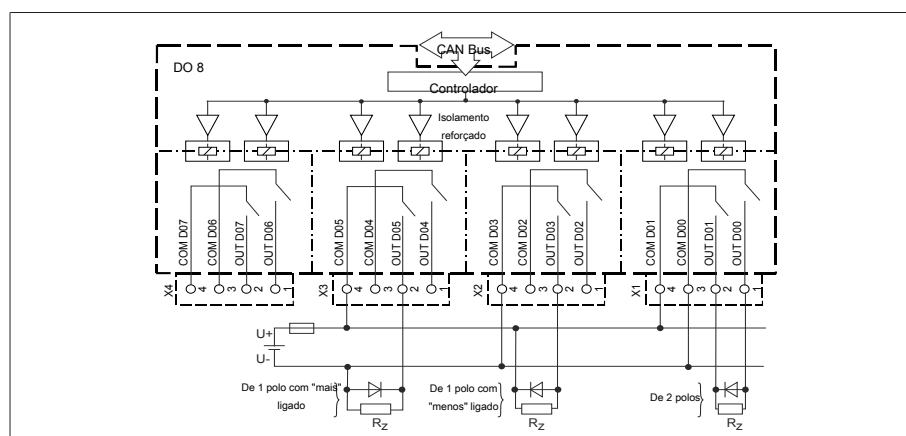


Figura 37: Diagrama em bloco para saídas digitais

1. Inserir os fios no terminal do conector de acordo com o esquema de conexão e prendê-los com o auxílio de uma chave de fenda.
2. Inserir o conector no soquete correspondente e parafusar.

5.4.11 Cabear a coroa potenciométrica

Conectar a coroa potenciométrica às interfaces COM X6 e AI 4 de acordo com o esquema de conexão [►Parágrafo 8.14, Página 376].

5.4.12 Alimentação de corrente e aterramento

5.4.12.1 Conectar a alimentação de energia

Somente é permitido conectar o aparelho a um circuito que disponha de um dispositivo externo de proteção contra sobrecorrente e de um seccionador externo de todos os polos para que o sistema possa ser totalmente desligado da energia elétrica quando necessário (serviço, manutenção, etc.).

Os dispositivos apropriados podem ser seccionadores conforme IEC 60947-1 e IEC 60947-3 (por exemplo, disjuntor de potência). Ao selecionar o seccionador, observe as características de cada circuito (tensão, correntes máximas). Além disso, observe o seguinte:

- O seccionador deve ser de fácil acesso para o usuário
- O seccionador deve ser identificado com relação ao aparelho e aos circuitos que devem ser seccionados
- O seccionador não pode ser um componente da linha de rede
- O seccionador não pode interromper o condutor de proteção principal

Disjuntor É necessário proteger o circuito de alimentação com um disjuntor de potência. O disjuntor de potência deve ter as seguintes características:

- Corrente estipulada: 6 A...10 A
- Característica do disparador: C, K ou Z

Seção transversal do condutor Para o circuito de alimentação, utilize uma seção transversal do condutor correspondente ao disjuntor escolhido, no entanto, com 1,5 mm² (AWG 15) no mínimo.

Conectar a alimentação de energia

- > Conectar a alimentação de corrente conforme o esquema de conexão [► Parágrafo 8.14, Página 376] e aterrar o aparelho.

5.4.12.2 Conectar o aterramento

1. Remover a porca e a arruela do parafuso de aterramento.
2. Colocar o cabo de aterramento, bem como o fio de aterramento do cabo da alimentação de corrente ao parafuso de aterramento do aparelho e prender com a porca e a arruela.

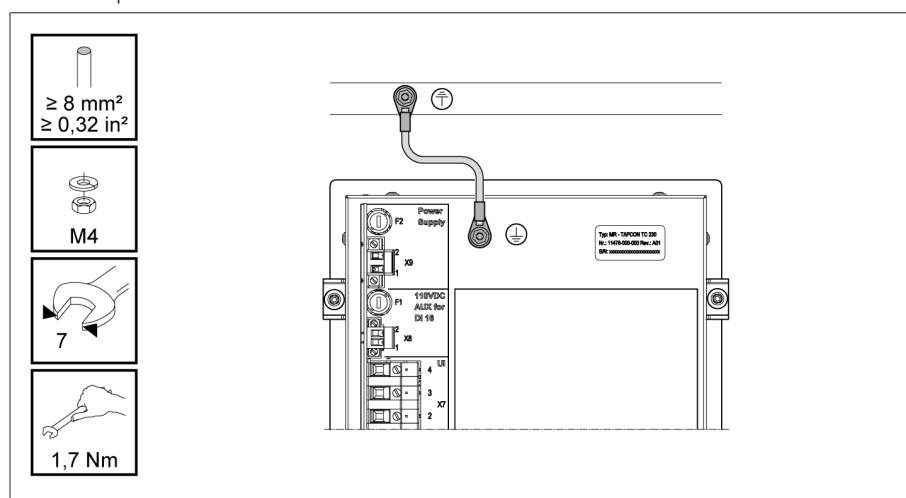


Figura 38: Conexão do cabo de aterramento

5.4.12.3 Conectar o aterramento do aparelho com a caixa (opcional)

Caso o aparelho seja montado em uma caixa, faça o aterramento do seguinte modo:

✓ Armação articulada está aberta.

1. Passar um cabo de aterramento por um prensa-cabo.
2. Soltar o parafuso de aterramento na caixa e conectar o cabo de aterramento ao ponto neutro previsto na caixa.

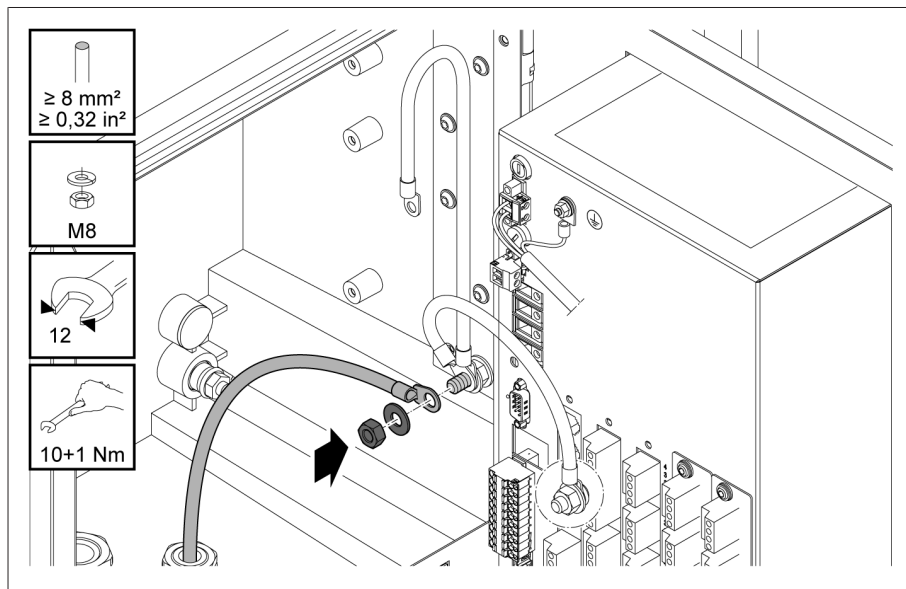


Figura 39: Aterrar a caixa

3. Fixar o cabo de aterramento da caixa ao parafuso de aterramento do aparelho. Se necessário, fixar o condutor de proteção do cabo de alimentação de corrente ao parafuso de aterramento.

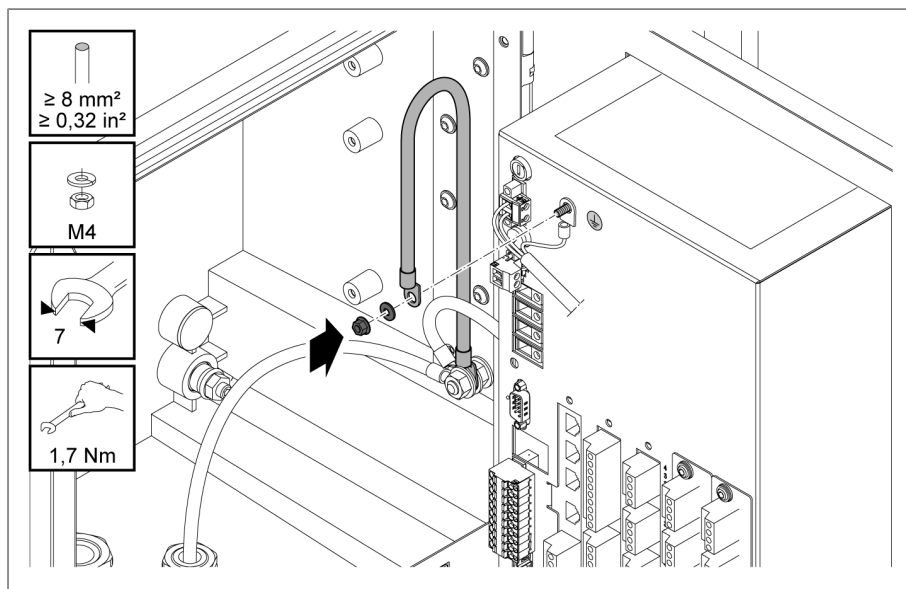


Figura 40: Fixar o cabo de aterramento da caixa e condutor de proteção no aparelho

5.5 Executar testes

AVISO

Danos ao aparelho e periferia da instalação!

Um aparelho conectado incorretamente pode causar danos tanto a si próprio quanto à periferia da instalação.

- > Antes da colocação em funcionamento, verificar a comutação total.
- > Antes da colocação em funcionamento, verificar a tensão de alimentação e a tensão de medição.

- > Conectar o aparelho à rede elétrica.
 - » O visor exibirá o logotipo MR e, em seguida, a tela de operação.
 - » O LED *Indicação de tensão*, situado acima e à esquerda na placa frontal do aparelho, acende.

6 Primeiros passos

AVISO

Danos ao aparelho e periferia da instalação!

Um aparelho conectado incorretamente pode causar danos tanto a si próprio quanto à periferia da instalação.

- > Antes da colocação em funcionamento, verificar a comutação total.

Assim que o aparelho for inicializado e exibir a tela de inicialização, você deverá realizar os ajustes indicados abaixo.

6.1 Criar conexão à visualização

É possível criar uma conexão para visualização por meio de duas interfaces:

- Interface frontal (para o acesso no local)
- Opcional: interface X3 na parte posterior do aparelho (para o acesso por meio de visor separado, sistema de controle etc.)

Requisitos do sistema

Para acessar a visualização baseada na Web, é necessário um PC com navegador compatível com HTML5. A exibição é otimizada para os seguintes navegadores:

- Microsoft Edge
- Google Chrome™

Criar conexão através da interface frontal

1. Remover a tampa da interface na parte frontal do aparelho.
2. Interligar as interfaces COM-X2 e CPU-X3 com o cabo patch fornecido.

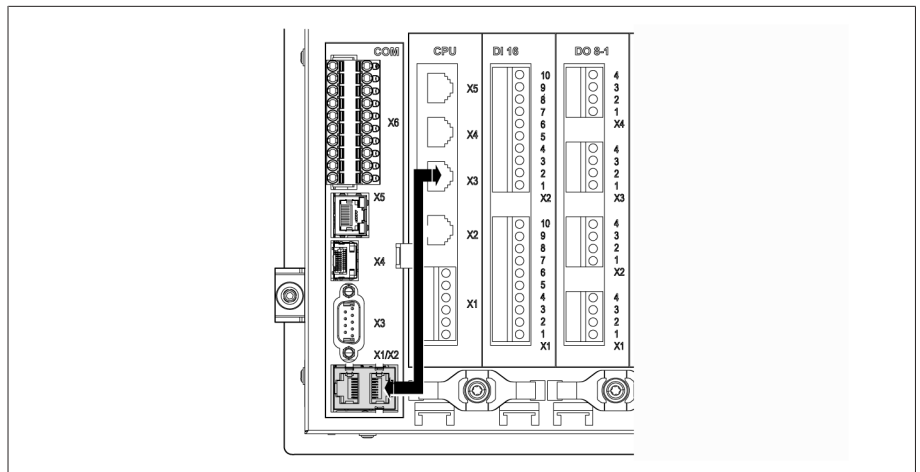


Figura 41: Cabo patch na parte posterior

3. Conectar o PC e o aparelho por meio de cabo Ethernet (conector RJ45) através da interface frontal.

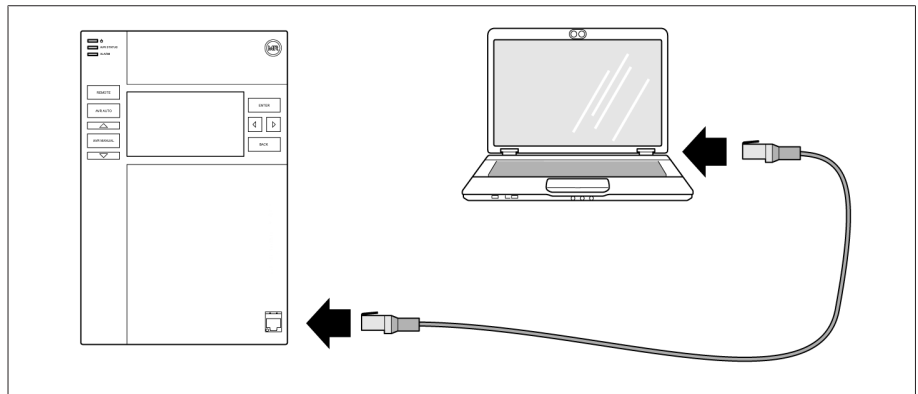


Figura 42: Criar uma conexão através da interface frontal

4. Atribuir ao PC um endereço IP exclusivo que se encontre na mesma sub-rede que o aparelho (por exemplo 192.168.165.100).
5. Inserir o endereço IP da visualização `http://192.168.165.1` ou, no caso de criptografia SSL ativa, `https://192.168.165.1`, no navegador no PC.
 - » A visualização é ativada.

Criar uma conexão através da interface traseira CPU-X3

1. Conectar o PC e o aparelho por meio de um cabo patch pré-montado através da interface traseira CPU-X3.
2. No aparelho, seleccionar o item de menu **Comunicação** para exibir o respectivo endereço IP.
3. Atribuir ao PC um endereço IP exclusivo que se encontre na mesma sub-rede que o aparelho (por exemplo 192.0.1.100).
4. Inserir o endereço IP da visualização (por exemplo `http://192.0.1.230` ou, para criptografia SSL ativa, `https://192.0.1.230`), no navegador no PC.
 - » A visualização é ativada.

6.2 Definir o idioma


Inglês	Italiano
Alemão	Português
Francês	Russo
Espanhol	Chinês
Coreano	Polonês

Tabela 5: Idiomas da interface que podem ser configurados

1. Na barra de status, seleccionar o botão EN.
2. Seleccionar o idioma desejado na lista suspensa.
3. Seleccionar o botão Aplicar para aplicar o parâmetro.
 - » É exibido o diálogo "Reiniciar o aparelho".
4. Reiniciar o aparelho para aplicar a alteração da configuração de idioma.

6.3 Baixar as instruções de serviço

Baixe as instruções de serviço do aparelho para iniciar a colocação em funcionamento e a parametrização do aparelho.

- > Selecionar  na barra de status.
- » As instruções de serviço são baixadas.

Como alternativa, é possível baixar o documento do portal do cliente MR ou no nosso site www.reinhausen.com.

7 Resolução de falhas

7.1 Falhas gerais

Ocorrência/detalhe	Causa	Solução
Sem função – O LED <i>Alimentação de corrente</i> não está aceso	Sem alimentação de corrente.	Verificar a alimentação de corrente.
	Fusível disparado.	Entrar em contato com a Maschinenfabrik Reinhausen GmbH.
Sem função – LED <i>AVR STATUS</i> não acende	Erro de configuração	Entrar em contato com a Maschinenfabrik Reinhausen GmbH.
Os relés chacoalham	Alta carga de EMC.	Utilizar cabos blindados ou filtros externos.
	Aterramento deficiente.	Verificar a ligação à terra funcional.

Tabela 6: Falhas gerais

7.2 Human-Machine-Interface

Ocorrência/detalhe	Causa	Solução
Visor – Sem indicação.	Alimentação de corrente interrompida.	Verificar a alimentação de corrente.
	Fusível com defeito.	Entrar em contato com a Maschinenfabrik Reinhausen.
Não é possível estabelecer conexão para a visualização	Cabo de conexão defeituoso.	Verificar o cabo de conexão.
	Criptografia SSL ativa.	Aceitar o certificado SSL no navegador.
		Abrir o endereço IP com <code>https://</code> .
		Desativar a criptografia SSL.
O PC não está na mesma sub-rede que a visualização.	Verificar a configuração dos endereços IP do aparelho e PC, se necessário, corrigi-los.	
Exibição defeituosa da visualização no navegador da web.	Acesso à visualização pelo navegador da web depois de uma atualização de software.	Apagar o cache do navegador da web.

Tabela 7: Interface homem-máquina

7.3 Outras falhas

Se não for possível encontrar uma solução para uma falha, entre em contato com a Maschinenfabrik Reinhausen. Tenha à mão os seguintes dados:

- Número de série
 - Placa de características
- Versão do software

Prepare-se para responder às seguintes perguntas:

- Ocorreu uma atualização de software?
- Já houve problemas com esse aparelho anteriormente?
- Já houve contato com a Maschinenfabrik Reinhausen por esse motivo? Em caso afirmativo, com quem?

Assistência técnica

Maschinenfabrik Reinhausen GmbH

Technischer Service

Postfach 12 03 60

93025 Regensburg

Alemanha

Telefone: +49 94140 90-0

E-mail: service@reinhausen.com

Internet: www.reinhausen.com

Uma visão geral dos serviços disponíveis para o produto pode ser encontrada do portal do cliente: <https://portal.reinhausen.com>

8 Dados técnicos

8.1 Elementos de indicação

Visor	Visor TFT a cores de 5"
LEDs	3 LEDs para indicação de operação e mensagens - FORÇA, ESTADO AVR, ALARME - SUBIR, BAIXAR, AUTO, MANUAL, REMOTO

8.2 Materiais

TAPCON® 230	
Frente	Alumínio, plástico
Cuba/parte posterior	Aço inoxidável
Caixa (opcional)	Plástico

8.3 Dimensões

TAPCON® 230 L x A x P	218 mm x 324 mm x 130 mm (8,58 pol. x 12,76 pol. x 5,12 pol.) (sem o contraconector) Contraconector 20 mm (0,79 pol.)
TAPCON® 230 com caixa (opcional) L x A x P	Total: 500 mm x 500 mm x 300 mm (19,69 pol. x 19,69 pol. x 11,81 pol.) Altura com suporte de parede: 521,3 mm (20,52 pol.)

8.4 Alimentação de corrente

Faixa de tensão permitida	85...265 VAC/VDC U_N : 100...240 VAC U_N : 100...240 VDC
Consumo de tensão nominal máximo	25 W
Faixa de frequência permitida	50/60 Hz
Categoria de sobretensão	OC III
Tensão de teste de choque	5 kV, 1,2 μ s/50 μ s (IEC 60255-27)
Fusível interno	250 VAC, 1,25 A, 5 x 20 mm, característica T (de ação lenta), capacidade de ruptura H (mín. 1500 A), temperatura de operação -30 °C...+100 °C)

Tabela 8: Alimentação de corrente

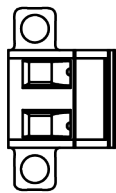
Interface	Pino	Descrição
	2	L
	1	N

Tabela 9: Conexão X9

Alimentação de corrente auxiliar AUX DC DI 110 V DC para entradas digitais

i A alimentação de corrente auxiliar serve exclusivamente para a detecção de até 16 contatos sem potencial.

Tensão de saída	U_N : 110 V DC \pm 2 % (à prova de curto-circuito)
Potência máxima de saída	5 W
Categoria de sobretensão	OC III
Tensão de teste de choque	5 kV, 1,2 μ s/50 μ s (IEC 60255-27)
Fusível	250 VAC, 0,08 A, 5 x 20 mm, característica T (de ação super lenta), capacidade de ruptura L (mín. 35 A), temperatura de operação -30 °C...+85 °C)

Tabela 10: Alimentação de corrente auxiliar

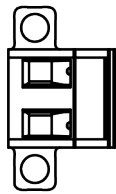
Interface	Pino	Descrição
	2	L
	1	N

Tabela 11: Conexão X8

8.5 Medição de tensão e medição de corrente

Medição de tensão TAPCON® 230 basic/pro/expert

Faixa de medição	20...197 VAC
Tensão nominal U_N	100 VAC
Precisão	$< \pm 0,3 \% \times U_N$ na faixa de temperatura de operação
Categoria de medição (IEC 61010-2-30)	CAT III a uma altitude de 3.000 m
Sobretensão permanente	550 VAC
Tensão de teste de choque	5 kV, 1,2 μ s/50 μ s (IEC 60255-27)

Medição de tensão TAPCON® 230 AVT

Faixa de medição (comutável)	132...280 VAC	228...510 VAC
Tensão nominal U_N	230 VAC	400 VAC
Precisão	$< \pm 0,3 \% \times U_N$ na faixa de temperatura de operação	
Categoria de medição (IEC 61010-2-30)	CAT III a uma altitude de 2.000 m CAT II a uma altitude de 3.000 m	
Sobretensão permanente	550 VAC	
Tensão de teste de choque	5 kV, 1,2 μ s/50 μ s (IEC 60255-27)	

Medição de corrente

Frequência	45...65 Hz
Corrente nominal I_N	1 A ou 5 A (comutável)
Precisão	$< \pm 0,5 \% \times I_N$ na faixa de temperatura de operação
Potência aparente	$< 0,1$ VA
Capacidade de sobrecarga permanente	12,5 A
Capacidade de sobrecarga breve	500 A / 1 s
Tensão de teste de choque	5 kV, 1,2 μ s/50 μ s (IEC 60255-27)

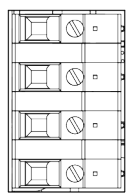
Interface	Pino	Descrição	
	4	n	Transformador de tensão (U_N : 100/230/400 V AC)
	3	L	Transformador de tensão
	2	I	CT
	1	k	CT

Tabela 12: Conexão UI:X7

8.6 Unidade central de processamento

Processador	Processador ARM Cortex A9 800 MHz
Memória de trabalho	512 MB
NVRAM (SRAM com bateria)	256 kB
Memória de aplicação	2 GB
Saídas digitais de relé	2; com isolamento galvânico
Tensão nominal	DC 24/48/60 V
Corrente constante máxima	1 A (carga resistiva)
Capacidade de comutação máxima	30 W
Tensão estipulada transitória	2,0 kV

Comportamento de resposta do relé watchdog e de erro:

	Relé de erro	Relé watchdog
Desligar	OFF	OFF
Inicialização	ON	OFF
Pronto (sem erro pendente)	OFF	ON
Pronto (erro pendente)	ON	ON

ON: o relé está ativado

OFF: o relé está desativado

Interfaces

Interface	Pino	Descrição
	6	ER_NO
	5	ER_NC
	4	ER_COM
	3	WD_NO
	2	WD_NC
	1	WD_COM

Tabela 13: Terminal de encaixe CPU:X1

Interface X2, X3	Pino	Descrição
	8	NC
	7	NC
	6	RXD-
	5	NC
	4	NC
	3	RXD+
	2	TXD-
	1	TXD+

Tabela 14: Interface Ethernet CPU:X2/X3

Interface X4	Pino	Descrição
	8	NC
	7	NC
	6	GND
	5	NC
	4	NC
	3	NC
	2	TXD+/RXD+
	1	TXD-/RXD-

Tabela 15: Interface serial RS485 CPU:X4


Interface X5	Pino	Descrição
	8	DTR (O)
	7	DCD (I)
	6	GND
	5	RXD (I)
	4	TXD (O)
	3	VCC/OUT 5V/12V
	2	RTS (O)
	1	CTS (I)

Tabela 16: Interface serial RS232 CPU:X5

8.7 Entradas digitais

	DI 16-110 V	DI 16-220 V Disponível somente nas variantes TAPCON® 230 Basic, Pro e Expert.
Entradas (isolamento galvânico por conector)	2 x 8	
Tensão nominal	110 VDC	220 VDC
Tensão operacional máx.	143 VDC	253 VDC 253 VAC
Lógico 0	≤ 55 VDC	≤ 110 V
Lógico 1	≥ 82,5 VDC	≥ 165 V
Corrente de entrada	0,9 mA	0,6 mA
Fator de simultaneidade (a 65 °C de temperatura ambiente)	Máx. 13 entradas	

Tabela 17: Dados técnicos de DI 16-110 V e DI 16-220 V

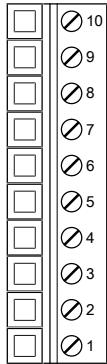
Interface	Pino	Descrição
	10	Referência comum (Common)
	9	Referência comum (Common)
	8	Entrada 7
	7	Entrada 6
	6	Entrada 5
	5	Entrada 4
	4	Entrada 3
	3	Entrada 2
	2	Entrada 1
	1	Entrada 0

Tabela 18: Conector X1 (grupo 0)

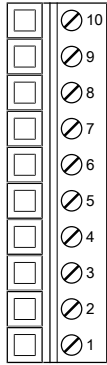
Interface	Pino	Descrição
	10	Referência comum (Common)
	9	Referência comum (Common)
	8	Entrada 17
	7	Entrada 16
	6	Entrada 15
	5	Entrada 14
	4	Entrada 13
	3	Entrada 12
	2	Entrada 11
	1	Entrada 10

Tabela 19: Conector X2 (grupo 1)

8.8 Saídas digitais

	DO 8
Saídas (isolamento galvânico por conector)	8 relés 4 grupos por módulo
Tensão de comutação	DC: 24 V, 48 V, 60 V, 110 V, 220 V AC: 110 V, 230 V
Capacidade de carga dos contatos	Mín.: 5 VDC, 10 mA Máx. DC: ver diagrama Máx. AC: 250 V; 3 A (8 saídas ativas) ou 5 A (4 saídas ativas)

Tabela 20: Dados técnicos do módulo DO 8

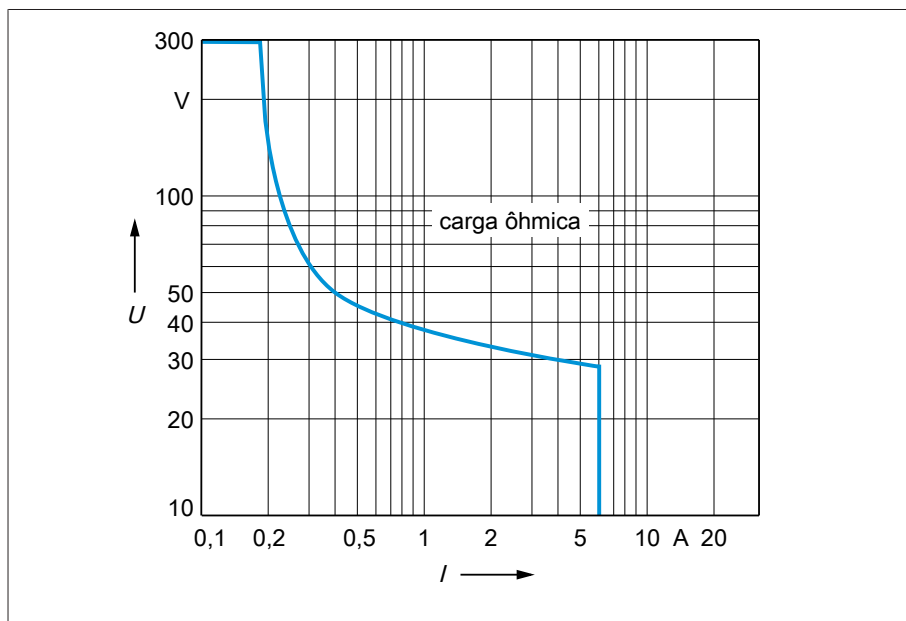


Figura 43: Capacidade de carga dos contatos das saídas digitais no caso de carga ôhmica

⚠ ATENÇÃO



Choque elétrico!

As saídas do módulo DO têm isolamento galvânico por conector. Uma mistura de áreas de tensão (p. ex. tensão baixa e extrabaixa) ou diferentes fases dentro de um conector pode provocar a diminuição da proteção contra choques elétricos.

- > Dentro de um conector, utilizar as mesmas faixas de tensão.
- > Dentro de um conector, utilizar a mesma fase.

Interface	Pino	Descrição
	4	Referência comum (Common) saída 1
	3	Referência comum (Common) saída 0
	2	Saída 1
	1	Saída 0

Tabela 21: Conector X1 (grupo 0)

Interface	Pino	Descrição
	4	Referência comum (Common) saída 3
	3	Referência comum (Common) saída 2
	2	Saída 3
	1	Saída 2

Tabela 22: Conector X2 (grupo 1)

Interface	Pino	Descrição
	4	Referência comum (Common) saída 5
	3	Referência comum (Common) saída 4
	2	Saída 5
	1	Saída 4

Tabela 23: Conector X3 (grupo 2)

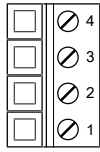
Interface	Pino	Descrição
	4	Referência comum (Common) saída 7
	3	Referência comum (Common) saída 6
	2	Saída 7
	1	Saída 6

Tabela 24: Conector X4 (grupo 3)

8.9 Entradas analógicas

	AI 4
Entradas (isolamento galvânico)	4 x 1
Faixa de medição	0 mA...20 mA, sobrecorrente aprox. 20 % 0 V...10 V, sobretensão aprox. 30 %
Precisão	0,15 % a 25 °C Corrente 0,2 % a 0 °C...50 °C 0,3 % a -20 °C...70 °C 0,4 % a -40 °C...70 °C Tensão 0,4 % a 0 °C...50 °C 0,5 % a -20 °C...70 °C 0,6 % a -40 °C...70 °C
Impedância de entrada	52 Ω a 0 mA...20 mA 20,5 kΩ a 0...10 V

Tabela 25: Dados técnicos do módulo AI 4

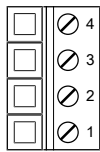
Interface	Pino	Descrição
	4	Entrada de tensão V0 U-
	3	Entrada de corrente V0 I-
	2	V0 I+ saída de corrente
	1	Saída de tensão V0 U+

Tabela 26: Conector X1 (grupo 0)

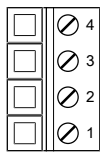
Interface	Pino	Descrição
	4	Entrada de tensão V1 U-
	3	Entrada de corrente V1 I-
	2	V1 I+ saída de corrente
	1	Saída de tensão V1 U+

Tabela 27: Conector X2 (grupo 1)

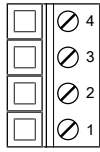
Interface	Pino	Descrição
	4	Entrada de tensão V2 U-
	3	Entrada de corrente V2 I-
	2	V2 I+ saída de corrente
	1	Saída de tensão V2 U+

Tabela 28: Conector X3 (grupo 2)

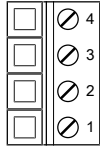
Interface	Pino	Descrição
	4	Entrada de tensão V3 U-
	3	Entrada de corrente V3 I-
	2	V3 I+ saída de corrente
	1	Saída de tensão V3 U+

Tabela 29: Conector X4 (grupo 3)

8.10 Interfaces de comunicação

Descrição	Módulo para a conversão das interfaces e mídias
Interfaces	1x RS232/RS485 (RJ45): COM-X1 2x Ethernet (RJ45): COM-X2, COM-X5 1x RS232 (DSub): COM-X3 1x duplex-LC (SFP): COM-X4 1x terminal de encaixe de 10 pinos: COM-X6
COM-X1 Disponível somente nas variantes TAPCON® 230 Pro, Expert e AVT.	Interface interna de sistema para ligação da interface COM-X6 com à unidade central de processamento (CPU)
COM-X2	Interface interna de sistema para a ligação entre a interface central (CPU)
COM-X3 Disponível somente nas variantes TAPCON® 230 Expert e AVT.	Interface serial SCADA RS232 – Tomada D-SUB com 9 pinos
COM-X4 Disponível somente nas variantes TAPCON® 230 Expert e AVT.	Módulo SFP para a conversão de Ethernet (RJ45) em fibra óptica para SCADA – Máx. 2000 m – 100 MBit/s – Diodo emissor de luz: classe 1 – Comprimento de onda: 1310 nm – Potência de saída óptica máx.: <1 mW (conforme IEC 60825-1:2014)

COM-X5 Disponível somente nas variantes TAPCON® 230 Expert e AVT.	Conexão de Ethernet para SCADA
COM-X6 Disponível somente nas variantes TAPCON® 230 Pro, Expert e AVT.	Terminal de encaixe de 10 pinos <ul style="list-style-type: none"> - Detecção da posição de tap por meio da coroa potenciométrica - CAN Bus - Interface serial SCADA RS485 - Com isolamento galvânico

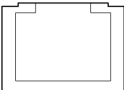
Interface	Pino	Descrição
	1	CTS (I) (RS232); TXD-/RXD- (RS485)
	2	RTS (O) (RS232); TXD+/RXD+ (RS485)
	3	VCC/OUT 5V/12V (RS232)
	4	TXD (O) (RS232)
	5	RXD (I) (RS232)
	6	GND
	7	DCD (I) (RS232)
	8	DTR (O) (RS232)

Tabela 30: COM-X1 (RS232/RS485)

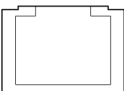
Interface	Pino	Descrição
	1	TxD+
	2	TxD-
	3	RxD+
	4	NC
	5	NC
	6	RxD-
	7	NC
	8	NC

Tabela 31: COM-X2, COM-X5 (RJ45)

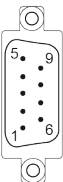
Interface	Pino	Descrição
	2	RxD
	3	TxD
	5	GND

Tabela 32: COM-X3 (RS232)

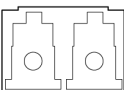
Interface	Descrição
	Fibra de vidro 50/125 e 62,5/125 multimodo

Tabela 33: COM-X4 (duplex-LC SFP)

Interface	Pino	Descrição
	1	GND (coroa potenciométrica)
	2	I out (coroa potenciométrica)
	3	U+ in (coroa potenciométrica)
	4	U- in (coroa potenciométrica)
	5	Dados - (RS485)
	6	GND (RS485)
	7	Dados + (RS485)
	8	CAN-L (CAN Bus)
	9	CAN-GND (CAN Bus)
	10	CAN-H (CAN Bus)

Tabela 34: COM-X6

8.11 Calibrar a detecção da posição de tap por meio da coroa potenciométrica

Isolamento galvânico	Tensão de teste resistência à voltagem alternada: 500 V _{ef} ; 50 Hz; 1 min
Detecção da posição de tap	35 taps, 2000 Ohm

8.12 Condições ambientais

Temperatura de operação	-25 °C...+70 °C
Temperatura de armazenamento	-30 °C...+85 °C (com bateria)
Unidade relativa	5 %...95 % sem condensação
Grau de impurezas	2
Tipo de proteção	I
Grau de proteção	Parte frontal: IP54 Parte traseira: IP20 Com caixa opcional: IP56
Altitude máxima de utilização	3000 m acima do nível médio do mar
Distância mínima a outros aparelhos/armário de distribuição	Em cima/embaixo: 88,9 mm (3,5 pol.; corresponde a 2 HE), atrás 30 mm (1,2 pol.)

Tabela 35: Condições ambientais permitidas

8.13 Normas e diretrizes

Compatibilidade eletromagnética	IEC 61000-6-2, IEC 61000-6-4, IEC 61000-6-5 EN 60255-26 KN 61000-6-2, KN 61000-6-4 FCC 47 CFR Part 15 B ICES-003
Segurança elétrica	IEC 61010-1 IEC 61010-2-201 IEC 61010-2-030 EN 61010-1 UL 61010-1 CAN/CSA-C22.2 No. 61010-1
Relés de medição e dispositivos de proteção	IEC 60255-1:2009 capítulos 6.10.1, 6.10.2 e 6.10.4 IEC 60255-27:2013 capítulos 10.6.4.2, 10.6.4.3, 10.6.4.4 e 10.6.5.3
Condições climáticas ambientais	IEC 60068-2-1 (-25 °C; 96 h) frio IEC 60068-2-2 (+70 °C; 96 h) calor seco IEC 60068-2-78 (+40 °C/93 % UR, 96 h) calor úmido, constante IEC 60068-2-30 (+55 °C, 6 ciclos 12 + 12 horas) calor úmido, cíclico
Teste de classe de proteção	IEC 60529
Testes de resistência ao ambiente	IEC 60255-21-1 oscilações classe 1 (3 ciclos, aceleração 0,5g, 1 oitava/minuto ou 60 ciclos, aceleração 1,0g, 1 oitava/minuto)
	IEC 60255-21-2 choques classe 1 (duração 11ms, aceleração de 5g ou 15g, n° de eixos 3)
	IEC 60255-21-3 terremotos classe 1 (frequência 1–35Hz, 3,5 mm/aceleração horiz. 1g, 1,5 mm/aceleração vert. 0,5g, 1 oitava/min, duração 10 min/eixo)
	IEC 60068-2-6 vibração sinusoidal
	IEC 60068-2-27 choque

Tabela 36: Normas e diretrizes

8.14 Esquemas de conexão

Veja também

- 📄 TAPCON® 230 Basic (DI 16-110 V) [▶ 377]
- 📄 TAPCON® 230 Basic (DI 16-220 V) [▶ 379]
- 📄 TAPCON® 230 Pro (DI 16-110 V) [▶ 381]
- 📄 TAPCON® 230 Pro (DI 16-220 V) [▶ 384]
- 📄 TAPCON® 230 Expert (DI 16-110 V) [▶ 387]
- 📄 TAPCON® 230 Expert (DI 16-220 V) [▶ 390]
- 📄 TAPCON® 230 AVT [▶ 393]

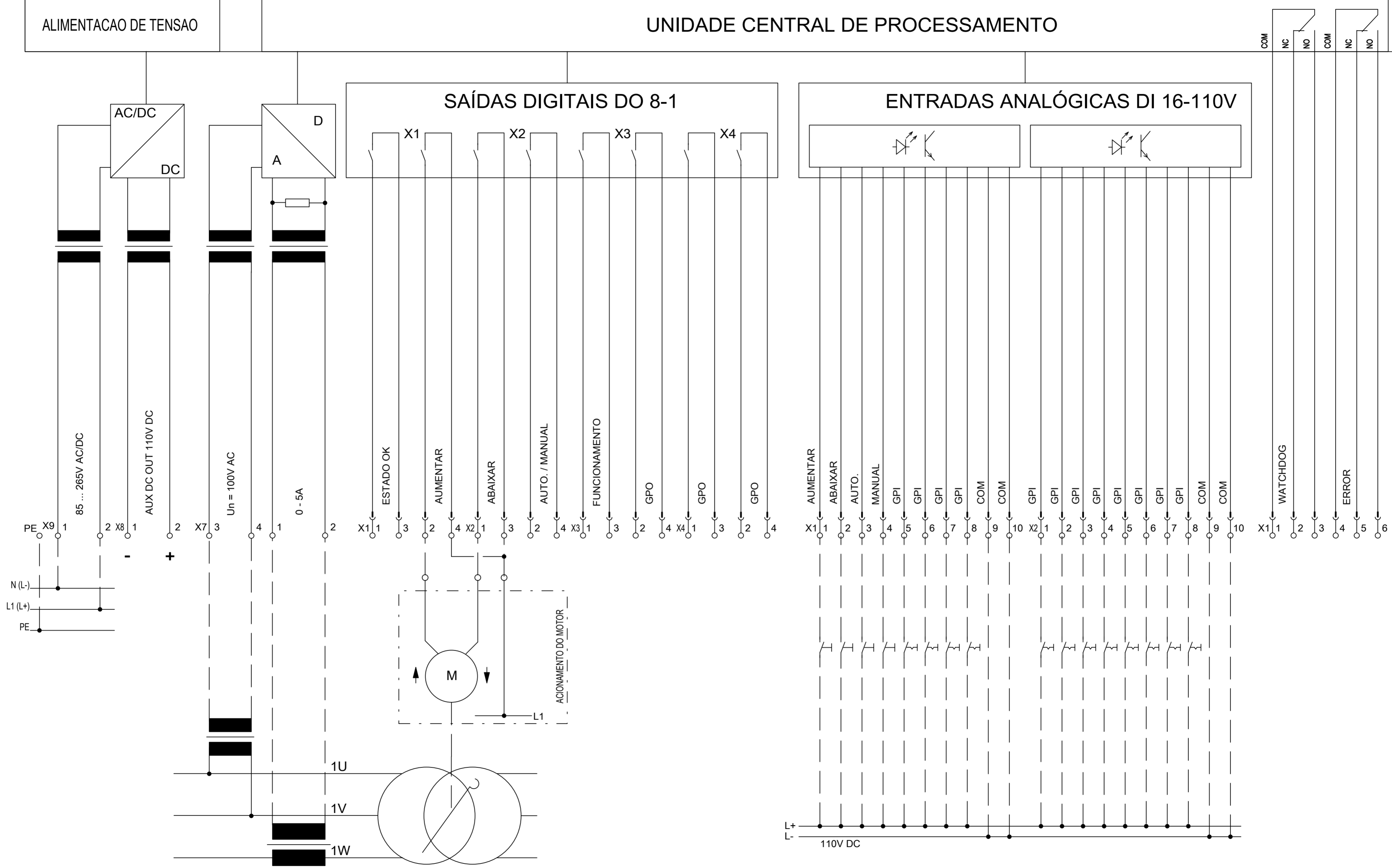
TAPCON® 230 - BASIC

ALIMENTAÇÃO DE TENSÃO

UNIDADE CENTRAL DE PROCESSAMENTO

SAÍDAS DIGITAIS DO 8-1

ENTRADAS ANALÓGICAS DI 16-110V



Fuer diese technische Unterlage behalten wir uns gemäss DIN 34 Abschnitt 2.1 und 2.2 alle Rechte vor.

DRAWING BY CAD
DO NOT MODIFY MANUALLY

03	X7,X1 connection	29.09.21	LAINER	DATE	22.01.2021
02	DEL BCD	16.09.21	BECK	EXEC.	BECK
01	BCD signals	28.06.21	M Kahn	VERIFIED	AP
NO.	MODIFICATION	DATE	NAME	STANDARD	

ORIGIN	REPL	REPL BY
--------	------	---------

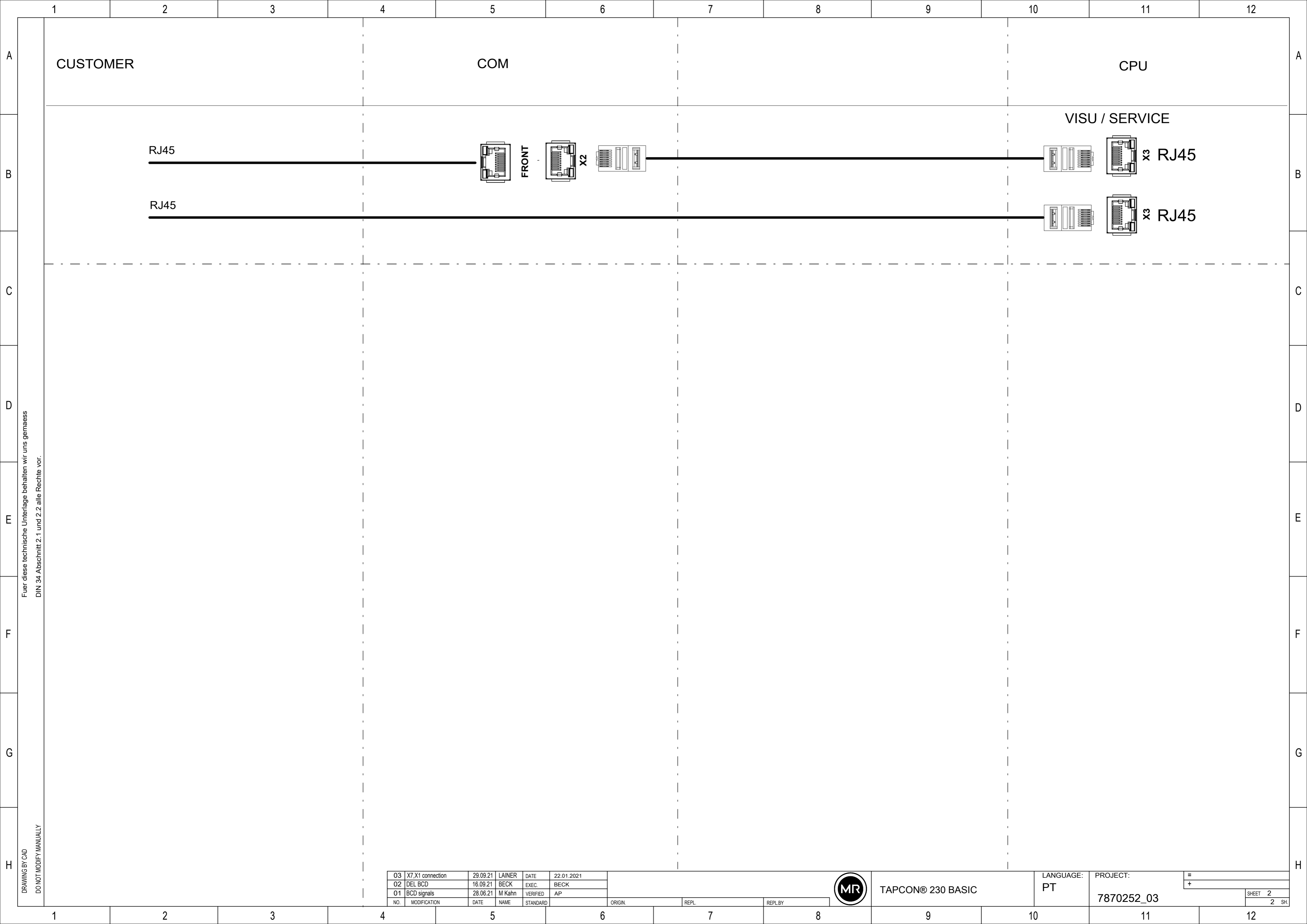


TAPCON® 230 BASIC

LANGUAGE:
PT

PROJECT:
7870252_03

=	
+	
SHEET 1	
2 SH.	



Fuer diese technische Unterlage behalten wir uns gemaess
 DIN 34 Abschnitt 2.1 und 2.2 alle Rechte vor.

DRAWING BY CAD
 DO NOT MODIFY MANUALLY

03	X7,X1 connection	29.09.21	LAINER	DATE	22.01.2021
02	DEL BCD	16.09.21	BECK	EXEC.	BECK
01	BCD signals	28.06.21	M Kahn	VERIFIED	AP
NO.	MODIFICATION	DATE	NAME	STANDARD	

ORIGIN	REPL	REPL BY
--------	------	---------



TAPCON® 230 BASIC

LANGUAGE:
PT

PROJECT:
7870252_03

=	
+	
SHEET	2
	2 SH.

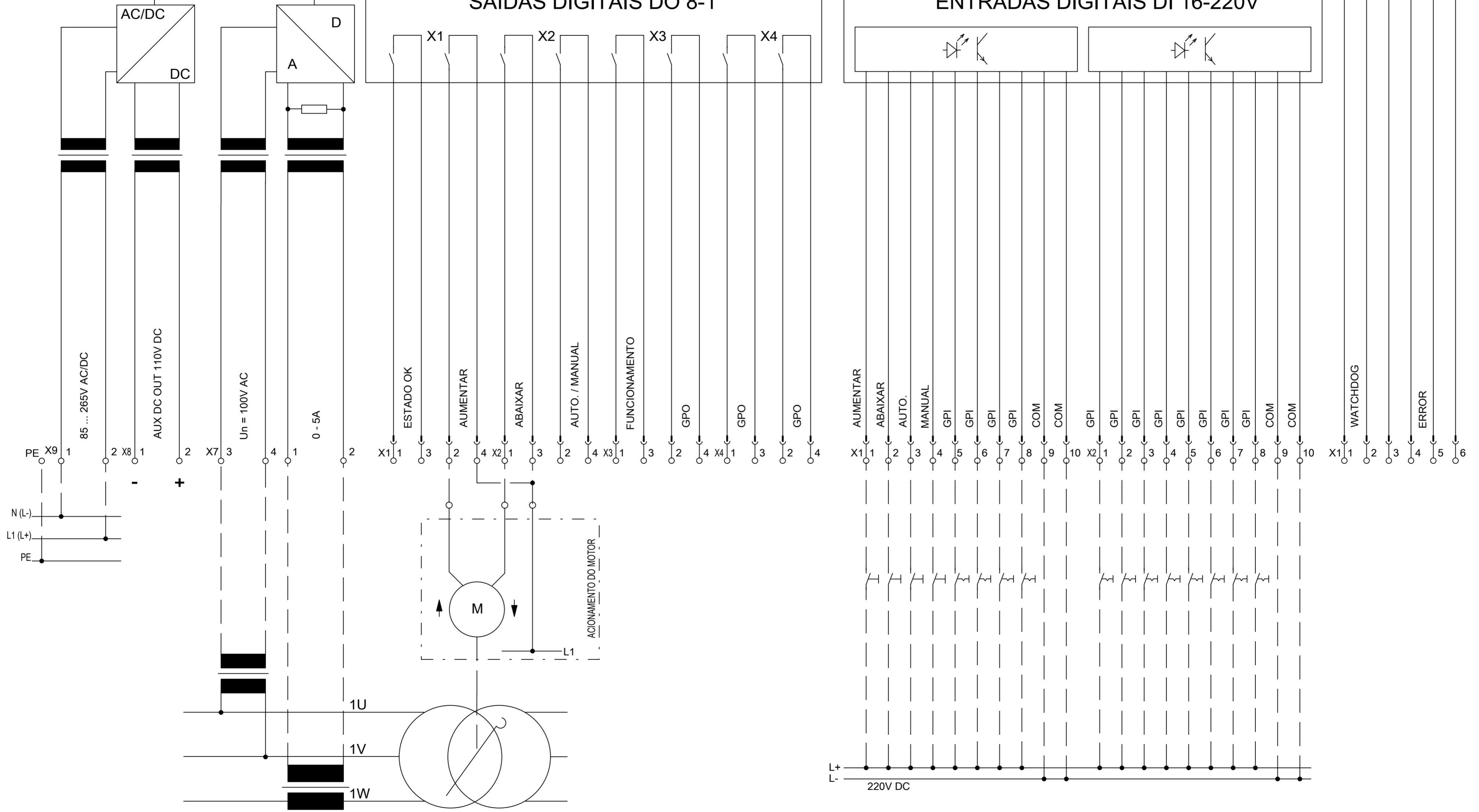
TAPCON® 230 - BASIC

ALIMENTAÇÃO DE TENSÃO

UNIDADE CENTRAL DE PROCESSAMENTO

SAÍDAS DIGITAIS DO 8-1

ENTRADAS DIGITAIS DI 16-220V



Fuer diese technische Unterlage behalten wir uns gemäss
DIN 34 Abschnitt 2.1 und 2.2 alle Rechte vor.

DRAWING BY CAD
DO NOT MODIFY MANUALLY

DATE	06.09.2022						
EXEC.	BECK						
VERIFIED	AP						
NO.	MODIFICATION	DATE	NAME	STANDARD	ORIGIN	REPL	REPL BY

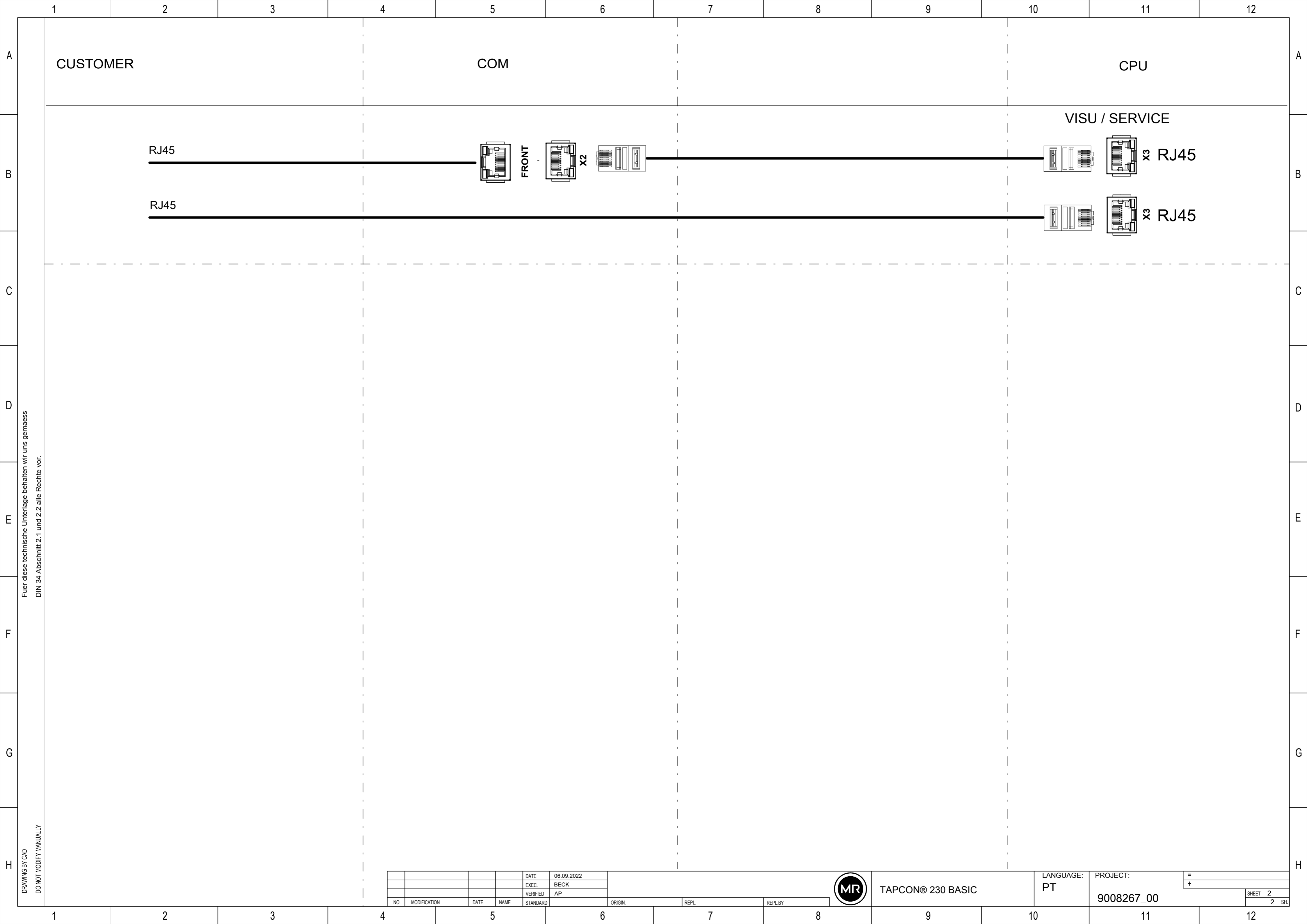


TAPCON® 230 BASIC

LANGUAGE:
PT

PROJECT:
9008267_00

=	
+	
SHEET	1
	2 SH.



Fuer diese technische Unterlage behalten wir uns gemaess
 DIN 34 Abschnitt 2.1 und 2.2 alle Rechte vor.

DRAWING BY CAD
 DO NOT MODIFY MANUALLY

				DATE	06.09.2022		
				EXEC.	BECK		
				VERIFIED	AP		
NO.	MODIFICATION	DATE	NAME	STANDARD	ORIGIN	REPL	REPL BY



TAPCON® 230 BASIC

LANGUAGE:
PT

PROJECT:
9008267_00

=
+
SHEET 2
2 SH.

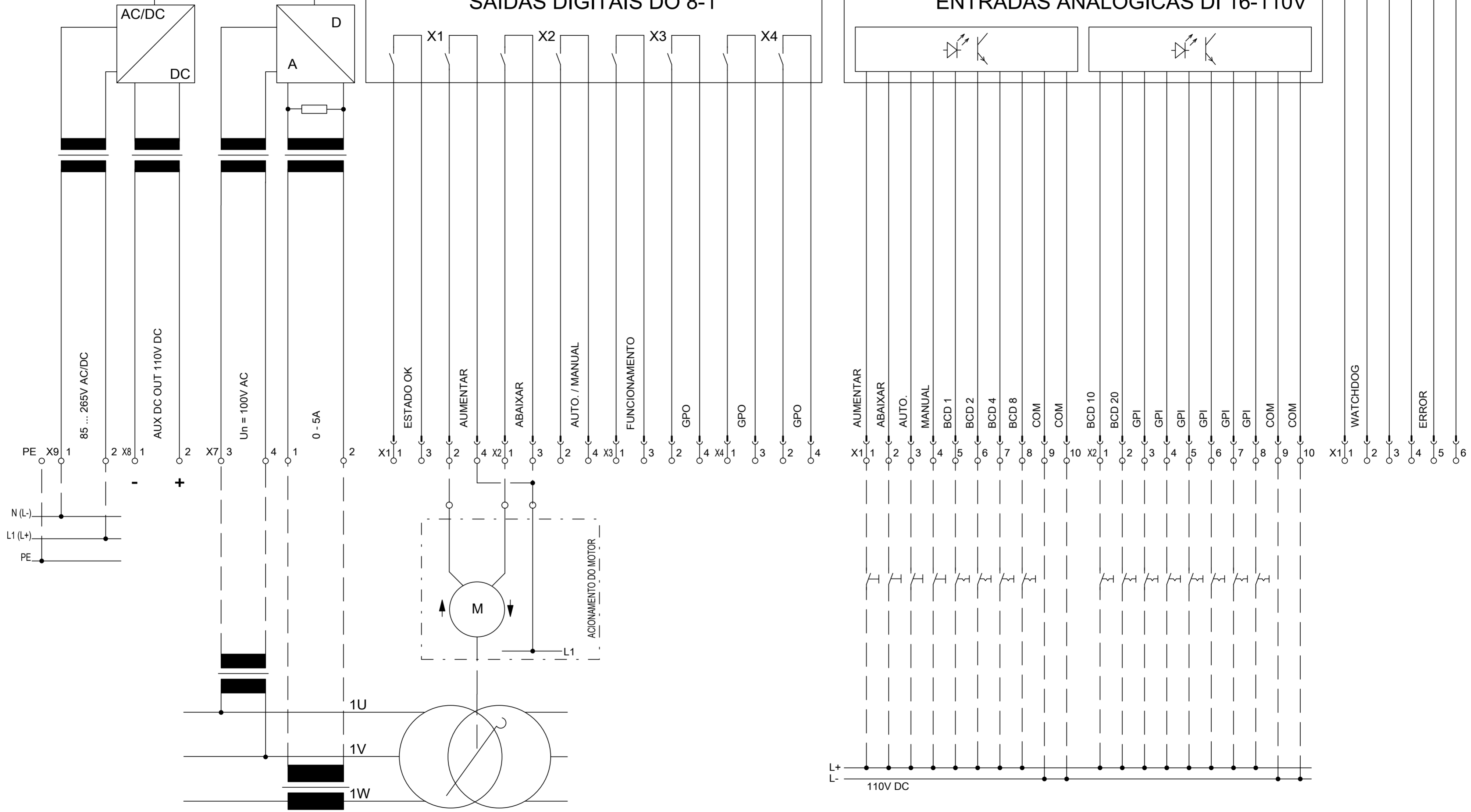
TAPCON® 230 - PRO

ALIMENTAÇÃO DE TENSÃO

UNIDADE CENTRAL DE PROCESSAMENTO

SAÍDAS DIGITAIS DO 8-1

ENTRADAS ANALÓGICAS DI 16-110V



Fuer diese technische Unterlage behalten wir uns gemäss DIN 34 Abschnitt 2.1 und 2.2 alle Rechte vor.

DRAWING BY CAD
DO NOT MODIFY MANUALLY

02	X7, X1 connection	29.09.21	Lainer	DATE	22.01.2021
01	BCD signals	29.06.21	M Kahn	EXEC.	BECK
				VERIFIED	AP
NO.	MODIFICATION	DATE	NAME	STANDARD	

	ORIGIN	REPL	REPL BY
--	--------	------	---------



TAPCON® 230 PRO

LANGUAGE: PT

PROJECT: 7870265_02

=	
+	
SHEET 1	
3 SH.	

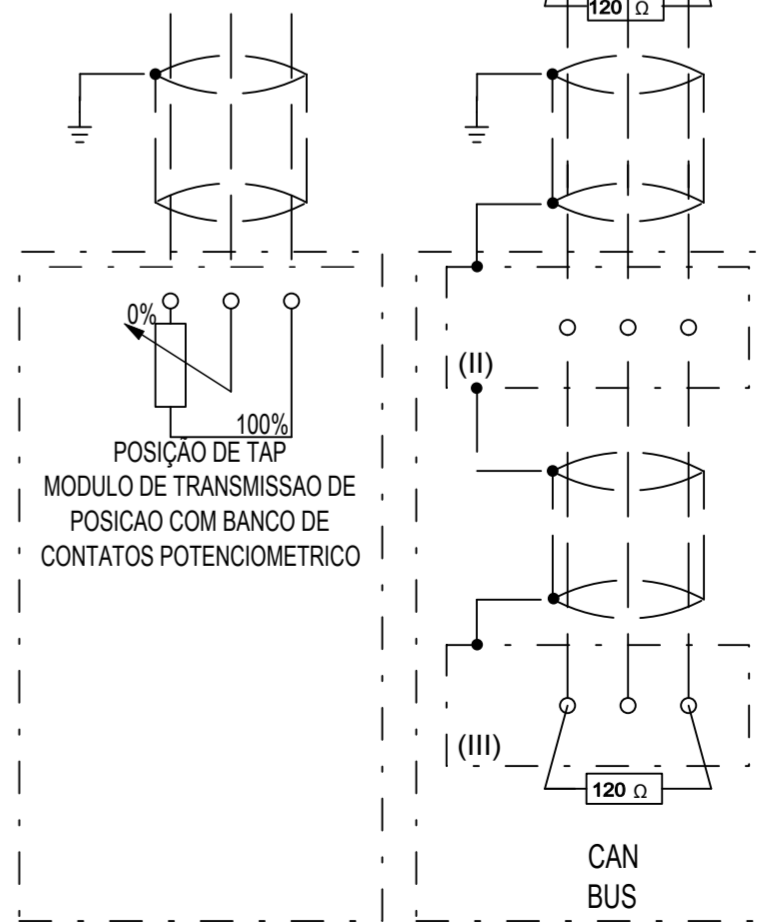
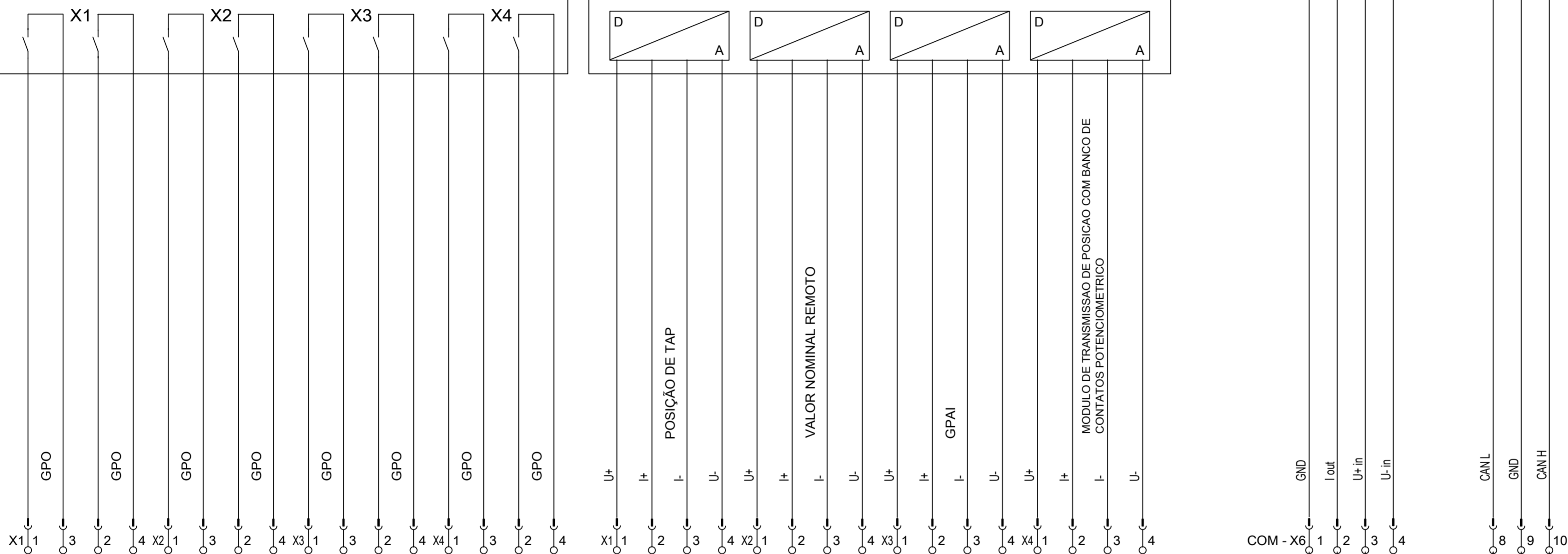
TAPCON® 230 - PRO

UNIDADE CENTRAL DE PROCESSAMENTO

COM

SAÍDAS DIGITAIS DO 8-2

ENTRADAS ANALÓGICAS AI 4



Fuer diese technische Unterlage behalten wir uns gemaess DIN 34 Abschnitt 2.1 und 2.2 alle Rechte vor.

DRAWING BY CAD
DO NOT MODIFY MANUALLY

02	X7,X1 connection	29.09.21	Lainer	DATE	22.01.2021
01	BCD signals	29.06.21	M Kahn	EXEC.	BECK
				VERIFIED	AP
NO.	MODIFICATION	DATE	NAME	STANDARD	ORIGIN



TAPCON® 230 PRO

LANGUAGE:
PT

PROJECT:
7870265_02

=	
+	
	SHEET 2
	3 SH.

CUSTOMER

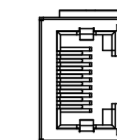
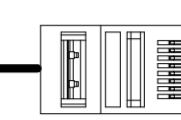
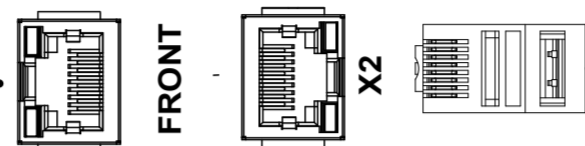
COM

CPU

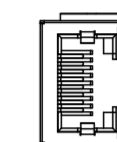
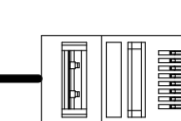
VISU / SERVICE

RJ45

RJ45



x3 RJ45



x3 RJ45

Fuer diese technische Unterlage behalten wir uns gemaess
DIN 34 Abschnitt 2.1 und 2.2 alle Rechte vor.

DRAWING BY CAD
DO NOT MODIFY MANUALLY

02	X7,X1 connection	29.09.21	Lainer	EXEC.	BECK
01	BCD signals	29.06.21	M Kahn	VERIFIED	AP
NO.	MODIFICATION	DATE	NAME	STANDARD	

DATE	22.01.2021
ORIGIN	
REPL	
REPL BY	



TAPCON® 230 PRO

LANGUAGE:
PT

PROJECT:
7870265_02

=	
+	
SHEET	3
	3 SH.

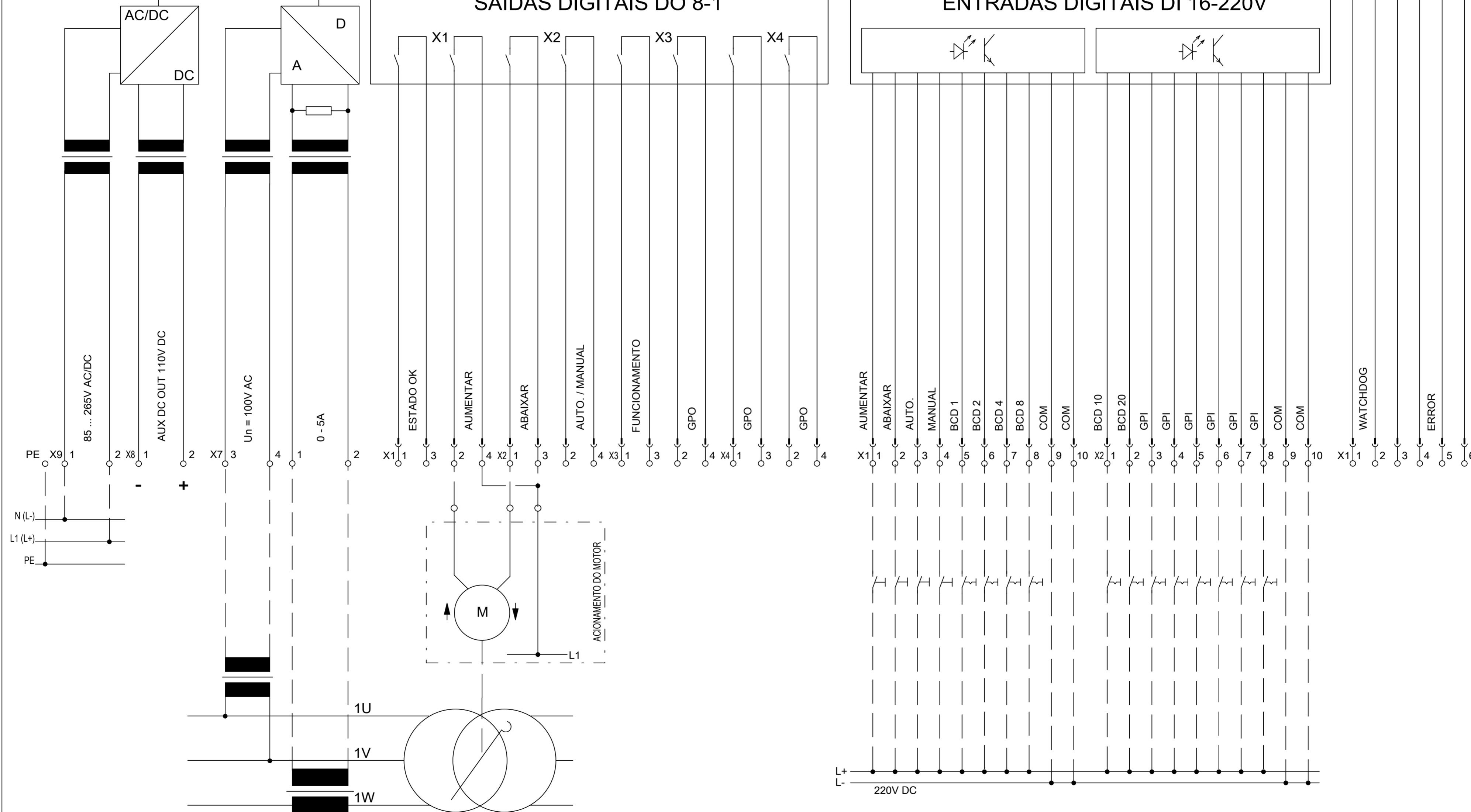
TAPCON® 230 - PRO

ALIMENTAÇÃO DE TENSÃO

UNIDADE CENTRAL DE PROCESSAMENTO

SAÍDAS DIGITAIS DO 8-1

ENTRADAS DIGITAIS DI 16-220V



Fuer diese technische Unterlage behalten wir uns gemäss
DIN 34 Abschnitt 2.1 und 2.2 alle Rechte vor.

DRAWING BY CAD
DO NOT MODIFY MANUALLY

DATE	06.09.2022						
EXEC.	BECK						
VERIFIED	AP						
NO.	MODIFICATION	DATE	NAME	STANDARD	ORIGIN	REPL	REPL BY



TAPCON® 230 PRO

LANGUAGE:
PT

PROJECT:
9008284_00

SHEET 1
3 SH.

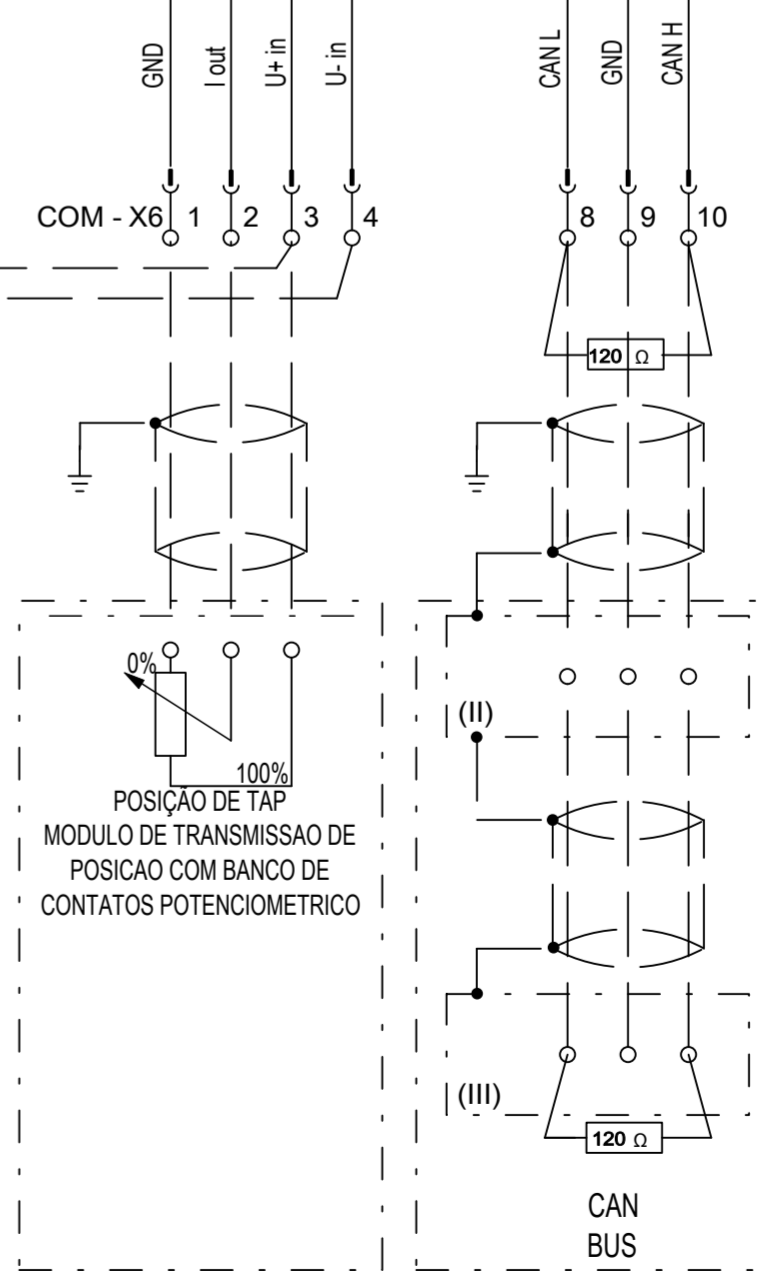
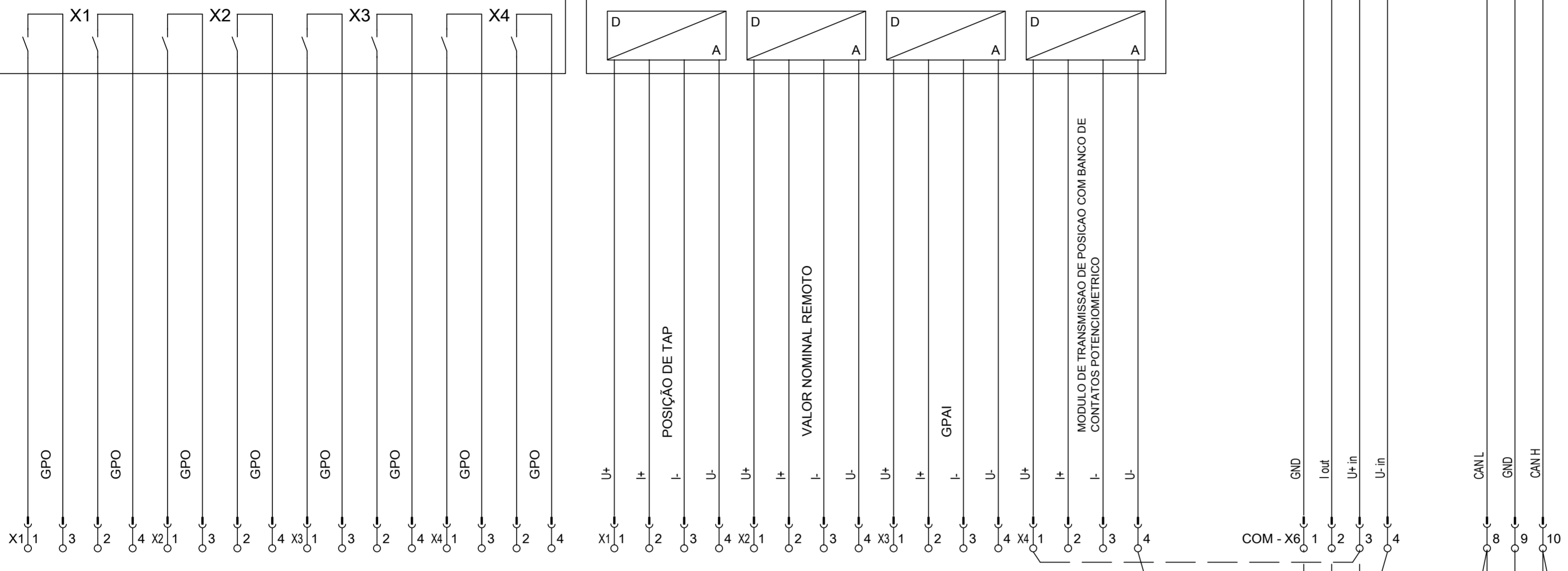
TAPCON® 230 - PRO

UNIDADE CENTRAL DE PROCESSAMENTO

COM

SAÍDAS DIGITAIS DO 8-2

ENTRADAS ANALÓGICAS AI 4



Fuer diese technische Unterlage behalten wir uns gemaess
DIN 34 Abschnitt 2.1 und 2.2 alle Rechte vor.

DRAWING BY CAD
DO NOT MODIFY MANUALLY

NO.	MODIFICATION	DATE	NAME	STANDARD	ORIGIN	REPL	REPL BY
		06.09.2022	BECK	AP			

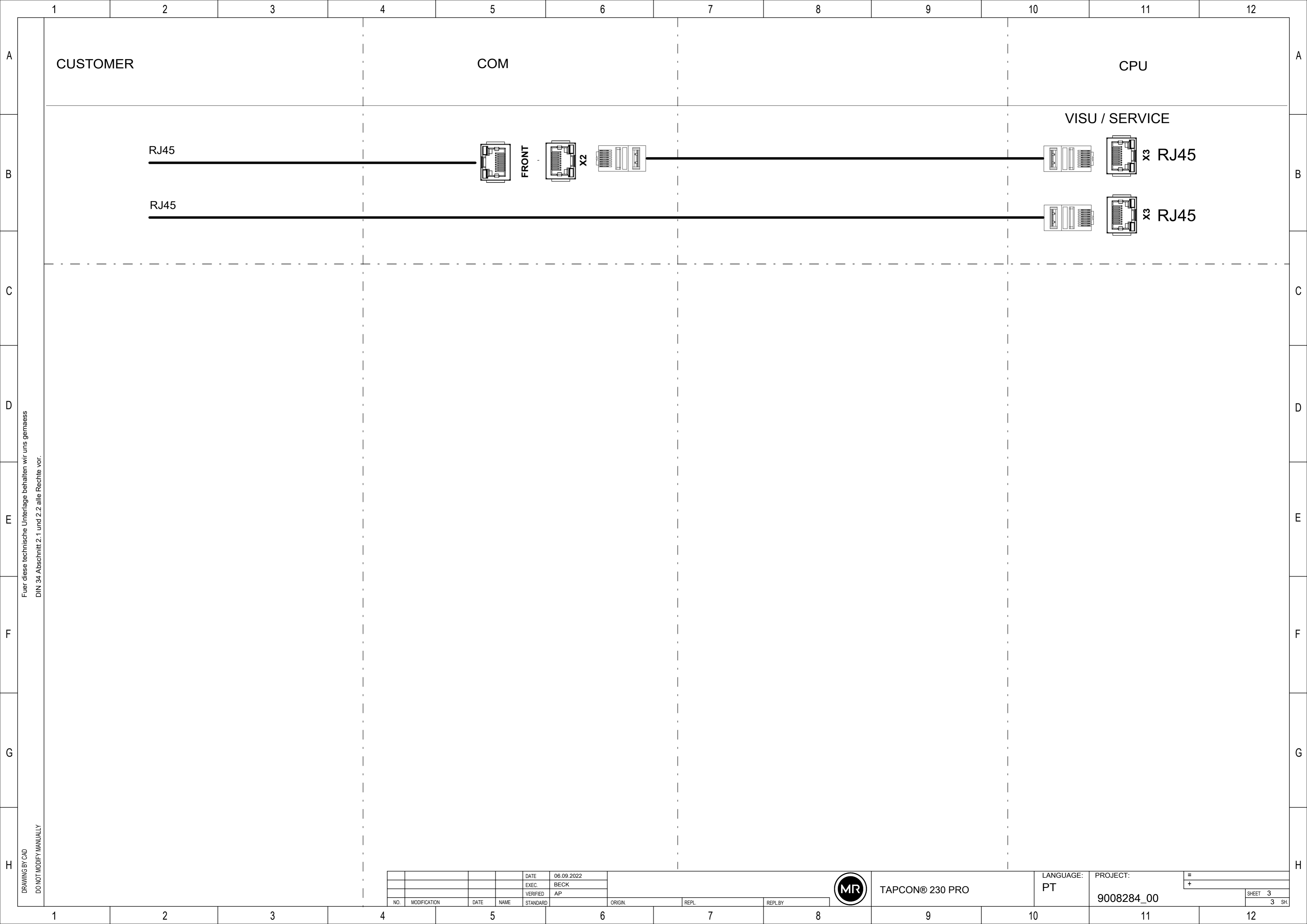


TAPCON® 230 PRO

LANGUAGE:
PT

PROJECT:
9008284_00

SHEET 2
3 SH.



Fuer diese technische Unterlage behalten wir uns gemaess
DIN 34 Abschnitt 2.1 und 2.2 alle Rechte vor.

DRAWING BY CAD
DO NOT MODIFY MANUALLY

				DATE	06.09.2022		
				EXEC.	BECK		
				VERIFIED	AP		
NO.	MODIFICATION	DATE	NAME	STANDARD	ORIGIN	REPL	REPL BY



TAPCON® 230 PRO

LANGUAGE:
PT

PROJECT:
9008284_00

=
+
SHEET 3
3 SH.

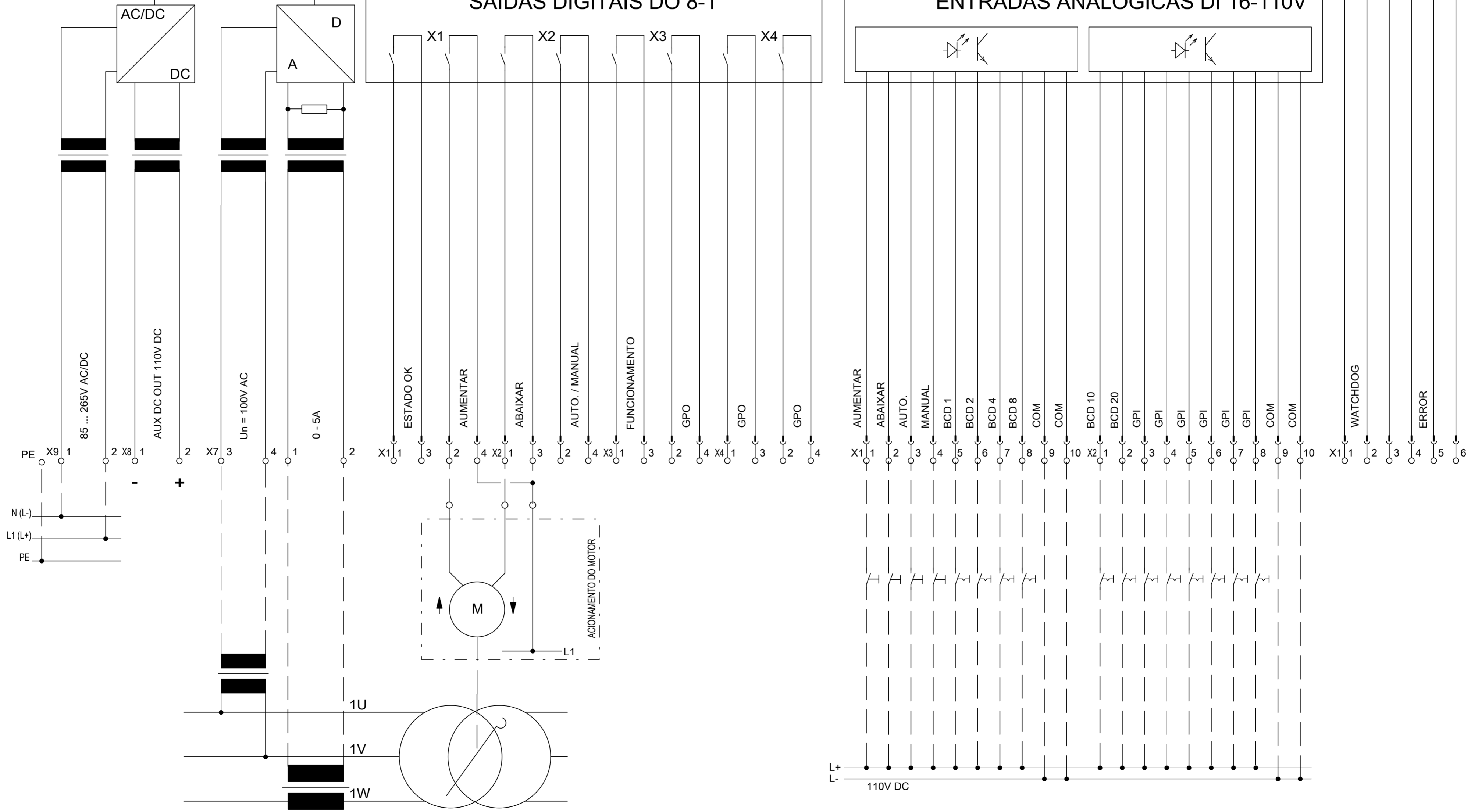
TAPCON® 230 - EXPERT

ALIMENTAÇÃO DE TENSÃO

UNIDADE CENTRAL DE PROCESSAMENTO

SAÍDAS DIGITAIS DO 8-1

ENTRADAS ANALÓGICAS DI 16-110V



Fuer diese technische Unterlage behalten wir uns gemäss
DIN 34 Abschnitt 2.1 und 2.2 alle Rechte vor.

DRAWING BY CAD
DO NOT MODIFY MANUALLY

02	X7,X1,X6 connection	01.10.21	LAINER	DATE	22.01.21
01	BCD Signal	30.06.21	KAHN	EXEC.	BECK
				VERIFIED	AP
NO.	MODIFICATION	DATE	NAME	STANDARD	

ORIGIN	REPL	REPL BY



TAPCON® 230 EXPERT

LANGUAGE:
PT

PROJECT:
7870276_02

=	
+	
	SHEET 1
	3 SH.

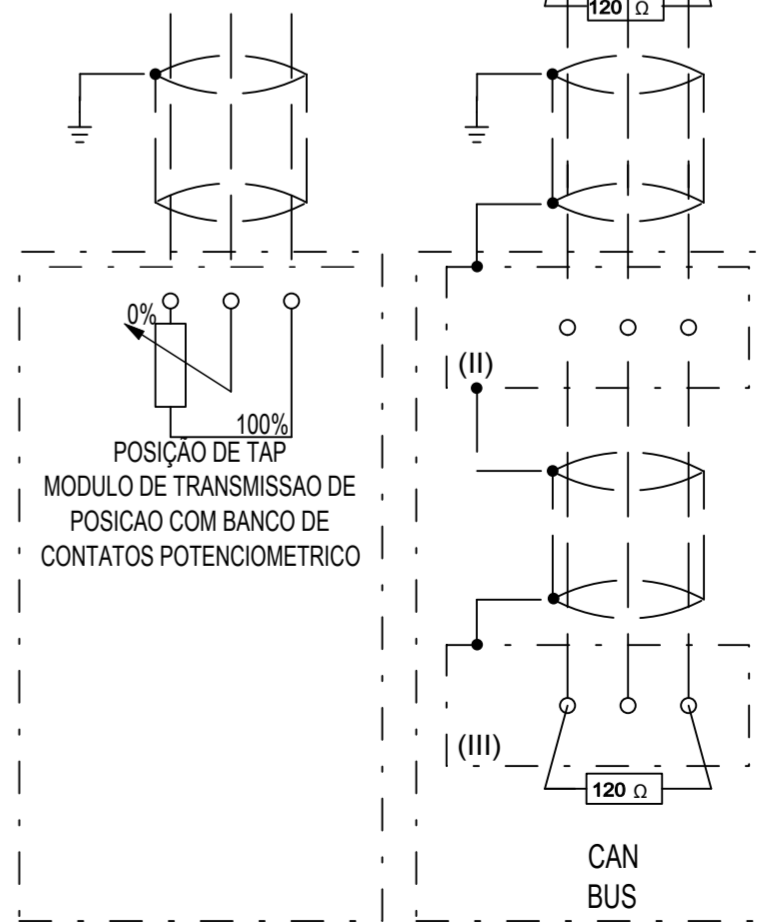
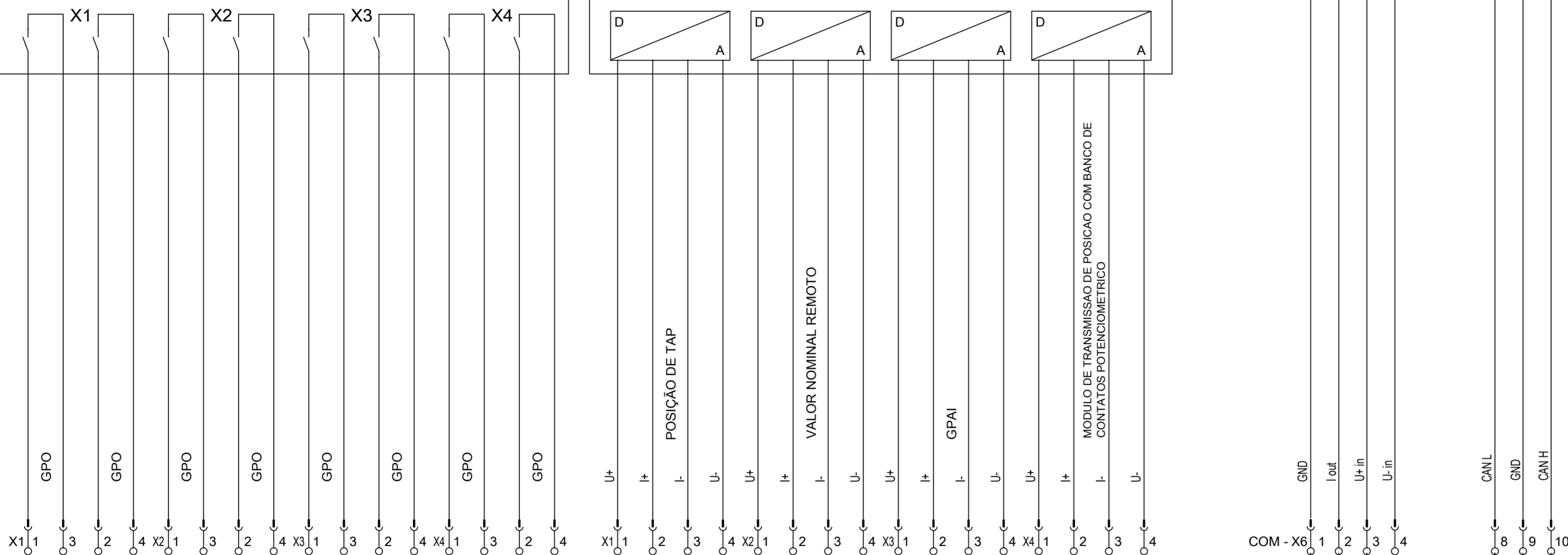
TAPCON® 230 - EXPERT

UNIDADE CENTRAL DE PROCESSAMENTO

COM

SAÍDAS DIGITAIS DO 8-2

ENTRADAS ANALÓGICAS AI 4



Fuer diese technische Unterlage behalten wir uns gemaess DIN 34 Abschnitt 2.1 und 2.2 alle Rechte vor.

DRAWING BY CAD
DO NOT MODIFY MANUALLY

02	X7,X1,X6 connection	01.10.21	LAINER	DATE	22.01.21
01	BCD Signal	30.06.21	KAHN	EXEC.	BECK
				VERIFIED	AP
NO.	MODIFICATION	DATE	NAME	STANDARD	ORIGIN



TAPCON® 230 EXPERT

LANGUAGE:
PT

PROJECT:
7870276_02

SHEET 2
3 SH

CUSTOMER

COM

CPU

VISU / SERVICE

SCADA ETHERNET

SCADA SERIAL

RJ45

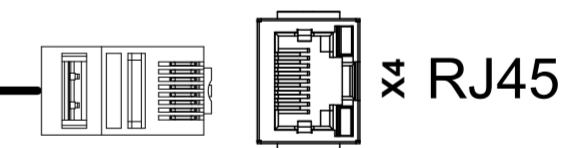
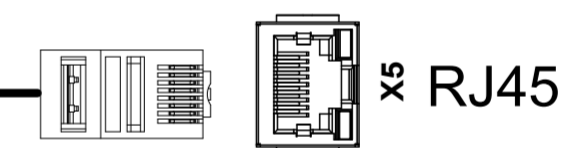
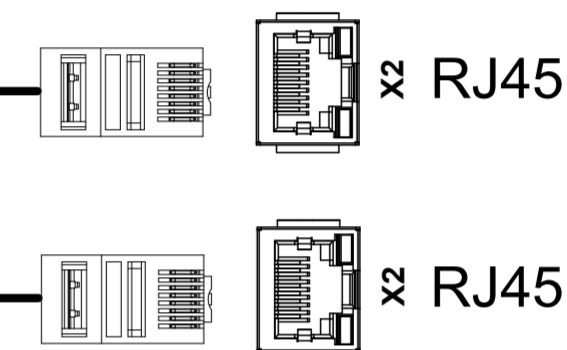
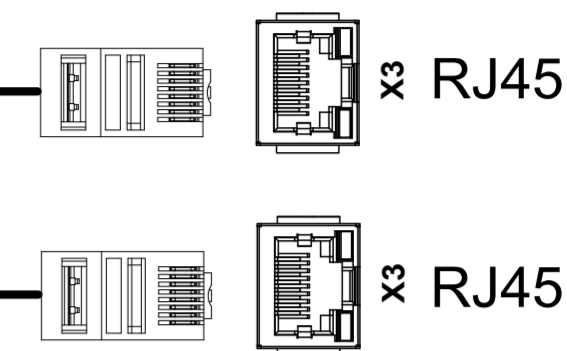
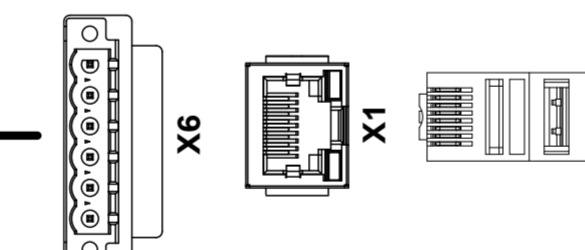
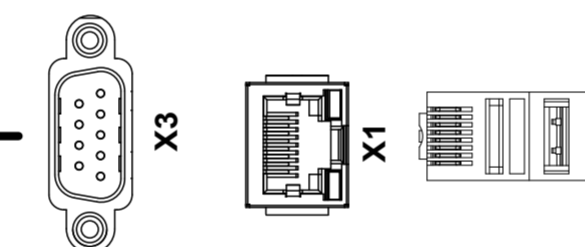
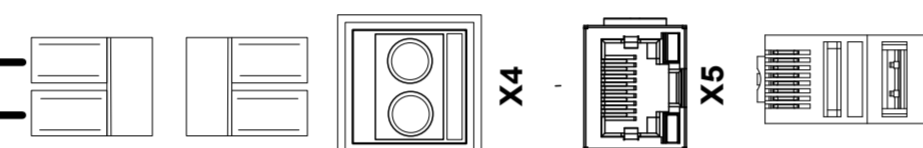
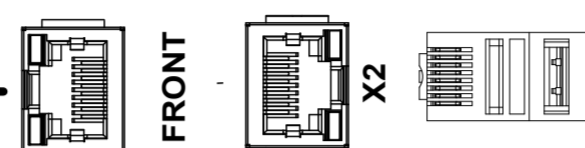
RJ45

LC 1310nm

RJ45

RS232

RS485



PIN	SIGNAL
2	RxD
3	TxD
5	GND

PIN	SIGNAL
5	Data -
6	GND
7	Data +

Fuer diese technische Unterlage behalten wir uns gemass DIN 34 Abschnitt 2.1 und 2.2 alle Rechte vor.

DRAWING BY CAD
DO NOT MODIFY MANUALLY

02	X7,X1,X6 connection	01.10.21	LAINER	DATE	22.01.21
01	BCD Signal	30.06.21	KAHN	EXEC.	BECK
				VERIFIED	AP
NO.	MODIFICATION	DATE	NAME	STANDARD	



TAPCON® 230 EXPERT

LANGUAGE:
PT

PROJECT:
7870276_02

=	
+	
SHEET	3
	3 SH.

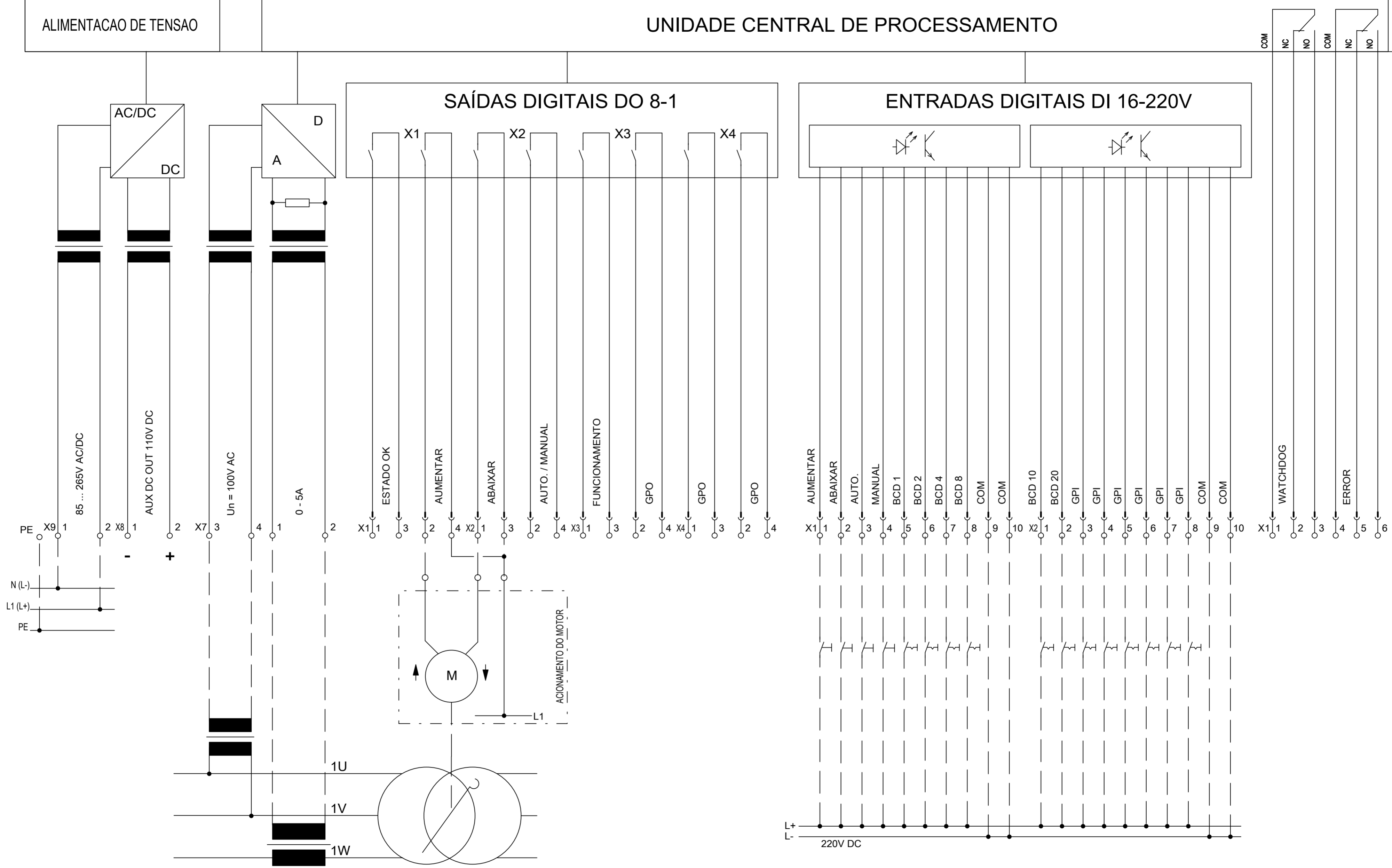
TAPCON® 230 - EXPERT

ALIMENTAÇÃO DE TENSÃO

UNIDADE CENTRAL DE PROCESSAMENTO

SAÍDAS DIGITAIS DO 8-1

ENTRADAS DIGITAIS DI 16-220V



Fuer diese technische Unterlage behalten wir uns gemäss
DIN 34 Abschnitt 2.1 und 2.2 alle Rechte vor.

DRAWING BY CAD
DO NOT MODIFY MANUALLY

DATE	06.09.2022						
EXEC.	BECK						
VERIFIED	AP						
NO.	MODIFICATION	DATE	NAME	STANDARD	ORIGIN	REPL	REPL BY



TAPCON® 230 EXPERT

LANGUAGE:
PT

PROJECT:
9008300_00

=	
+	
SHEET 1	
3 SH.	

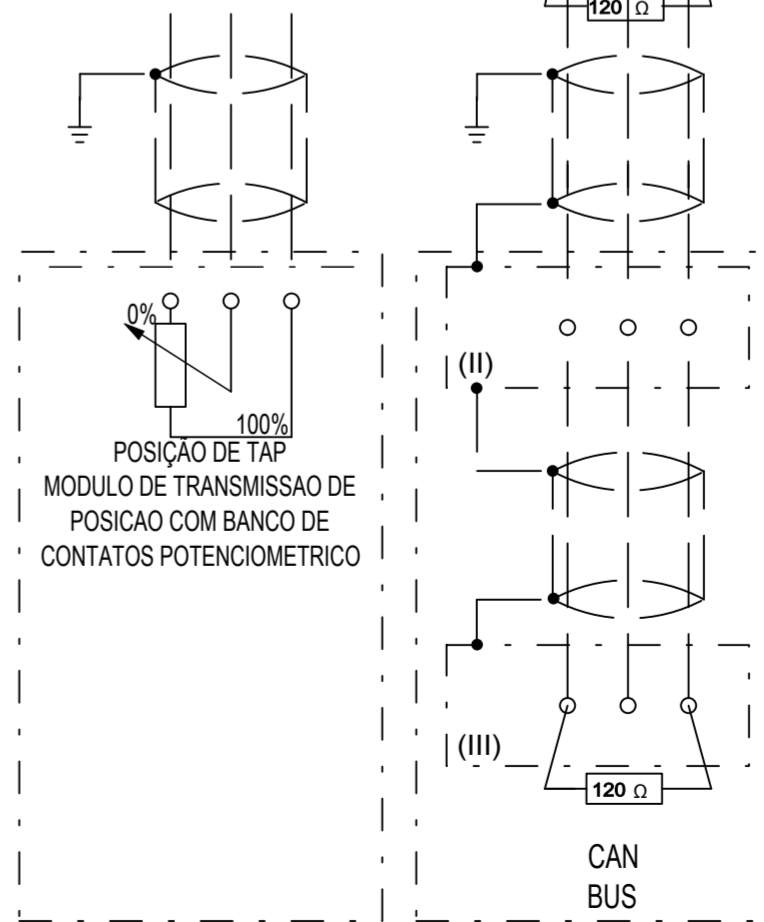
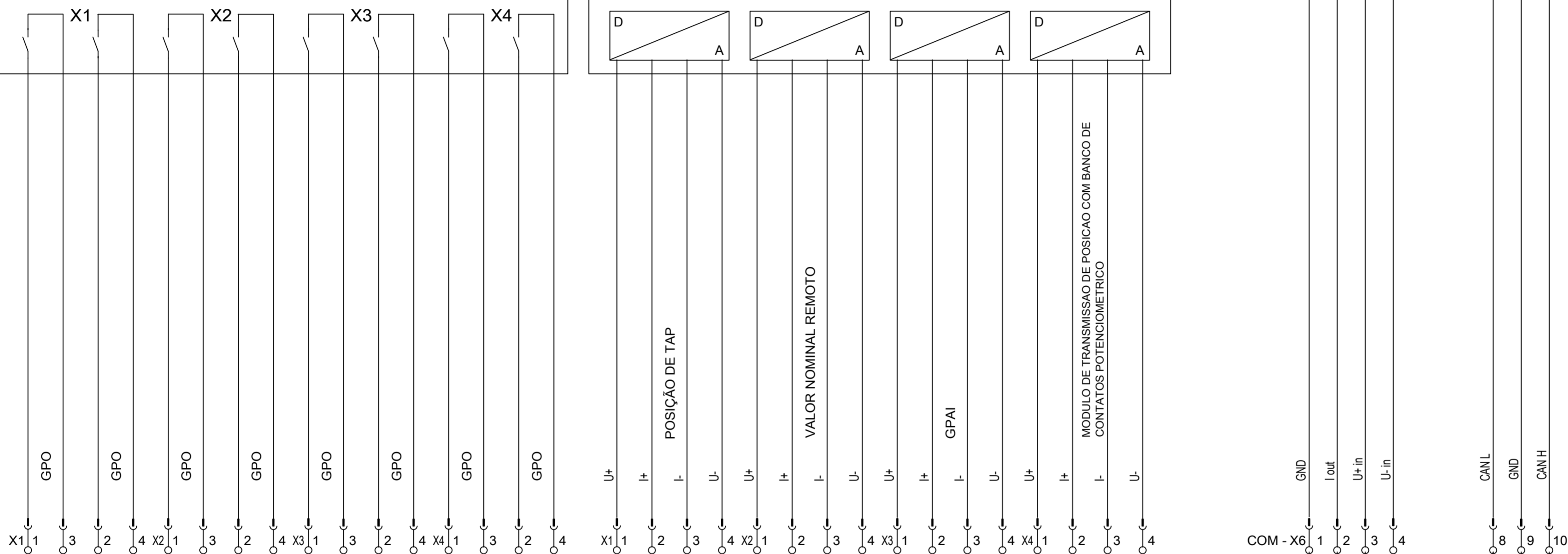
TAPCON® 230 - EXPERT

UNIDADE CENTRAL DE PROCESSAMENTO

COM

SAÍDAS DIGITAIS DO 8-2

ENTRADAS ANALÓGICAS AI 4



Fuer diese technische Unterlage behalten wir uns gemaess
DIN 34 Abschnitt 2.1 und 2.2 alle Rechte vor.

DRAWING BY CAD
DO NOT MODIFY MANUALLY

NO.	MODIFICATION	DATE	NAME	STANDARD	ORIGIN	REPL	REPL BY
		06.09.2022	BECK	AP			



TAPCON® 230 EXPERT

LANGUAGE:
PT

PROJECT:
9008300_00

=	
+	
SHEET	2
	3 SH.

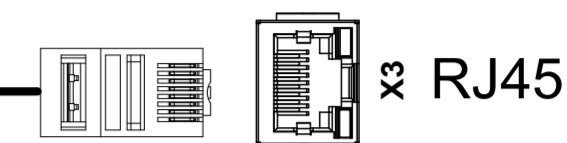
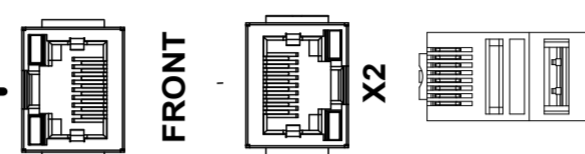
CUSTOMER

COM

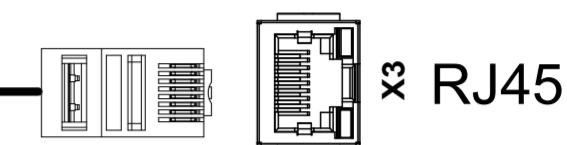
CPU

VISU / SERVICE

RJ45

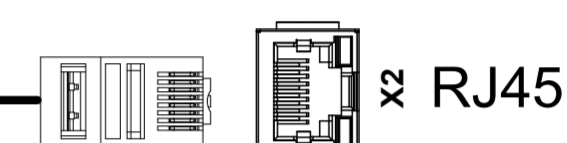
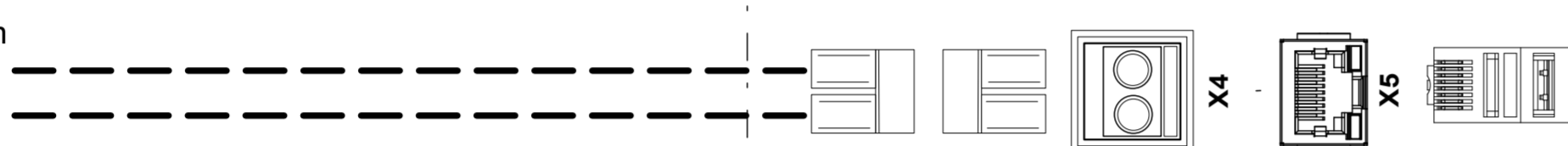


RJ45

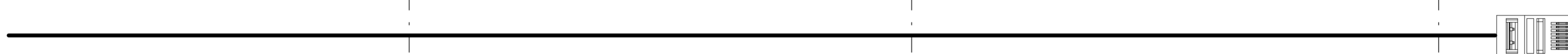


SCADA ETHERNET

LC 1310nm



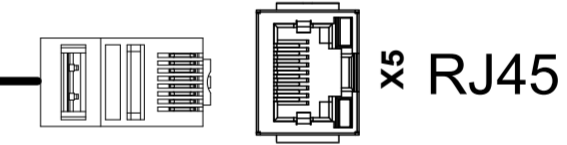
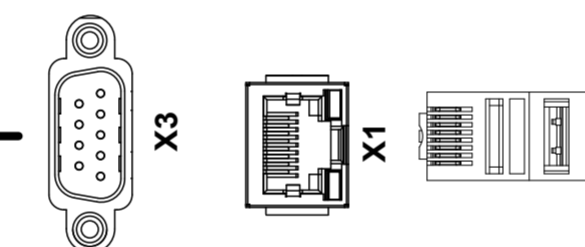
RJ45



SCADA SERIAL

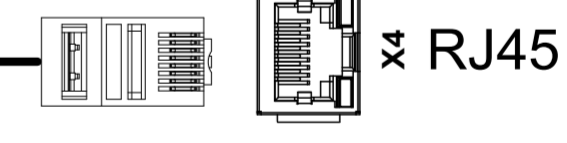
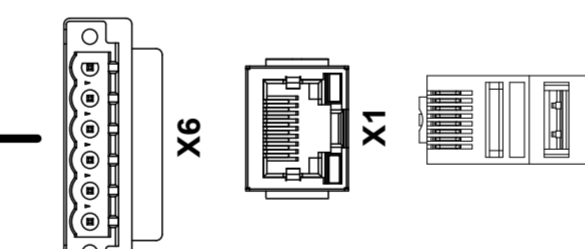
PIN	SIGNAL
2	RxD
3	TxD
5	GND

RS232



PIN	SIGNAL
5	Data -
6	GND
7	Data +

RS485



Fuer diese technische Unterlage behalten wir uns gemass DIN 34 Abschnitt 2.1 und 2.2 alle Rechte vor.

DRAWING BY CAD DO NOT MODIFY MANUALLY

NO.	MODIFICATION	DATE	NAME	STANDARD	ORIGIN	REPL	REPL BY
		06.09.2022					



TAPCON® 230 EXPERT

LANGUAGE: PT

PROJECT: 9008300_00

=	
+	
SHEET	3
	3 SH.

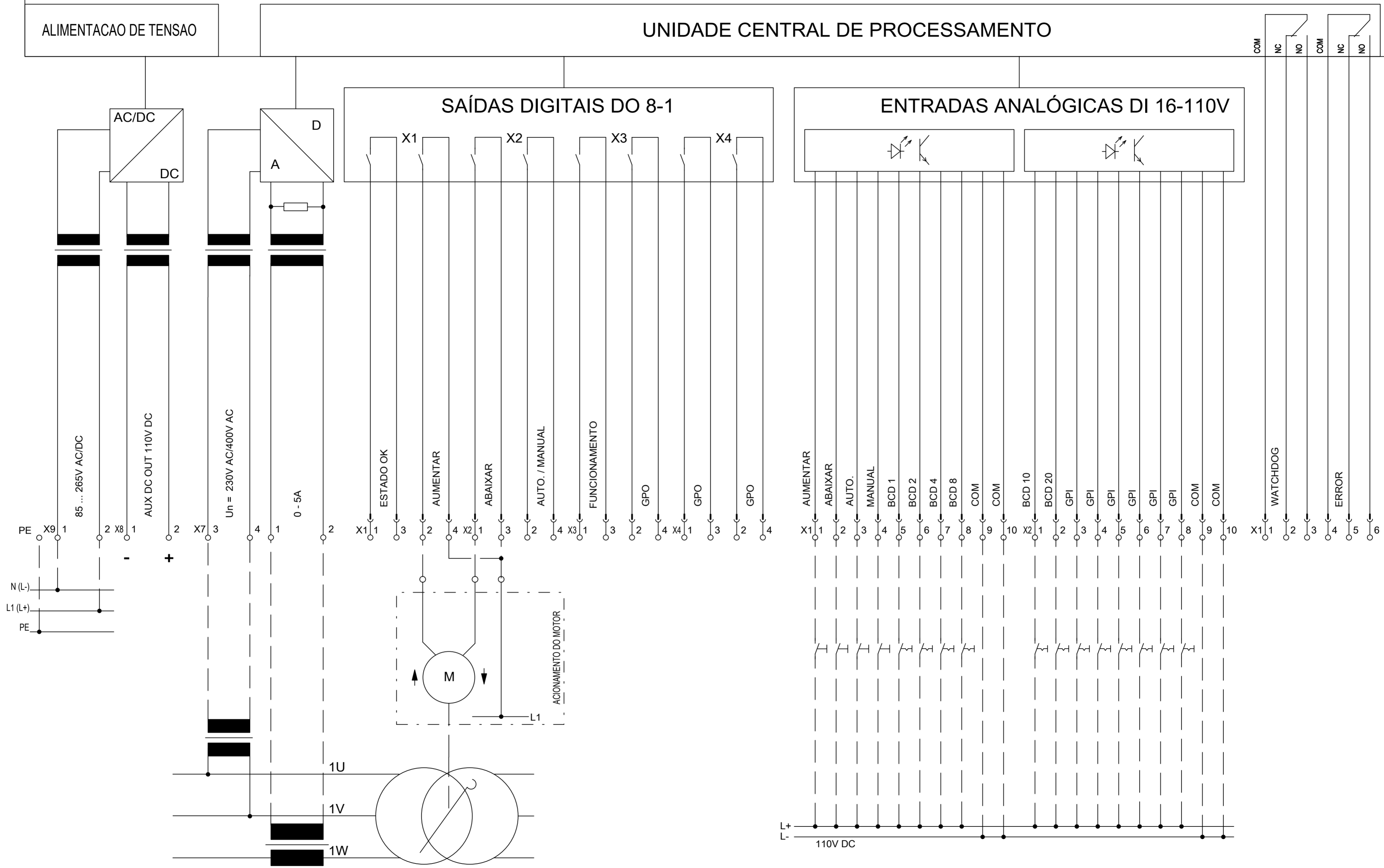
TAPCON® 230 - AVT

ALIMENTAÇÃO DE TENSÃO

UNIDADE CENTRAL DE PROCESSAMENTO

SAÍDAS DIGITAIS DO 8-1

ENTRADAS ANALÓGICAS DI 16-110V



Fuer diese technische Unterlage behalten wir uns gemäss DIN 34 Abschnitt 2.1 und 2.2 alle Rechte vor.

DRAWING BY CAD
DO NOT MODIFY MANUALLY

02	X7,X1,X6 connection	01.10.21	LAINER	DATE	22.01.2021
01	BCD SIGNAL	30.06.21	KAHN	EXEC.	BECK
				VERIFIED	AP
NO.	MODIFICATION	DATE	NAME	STANDARD	

ORIGIN	REPL	REPL BY
--------	------	---------



TAPCON® 230 AVT

LANGUAGE:
PT

PROJECT:

7870291_02

=	
+	
	SHEET 1
	3 SH.

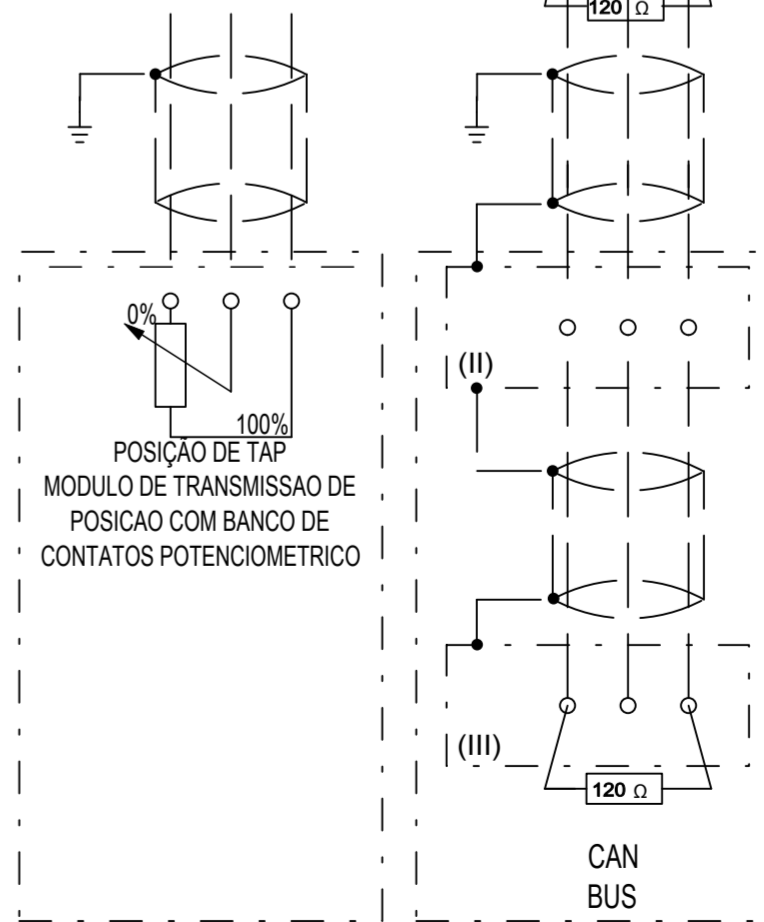
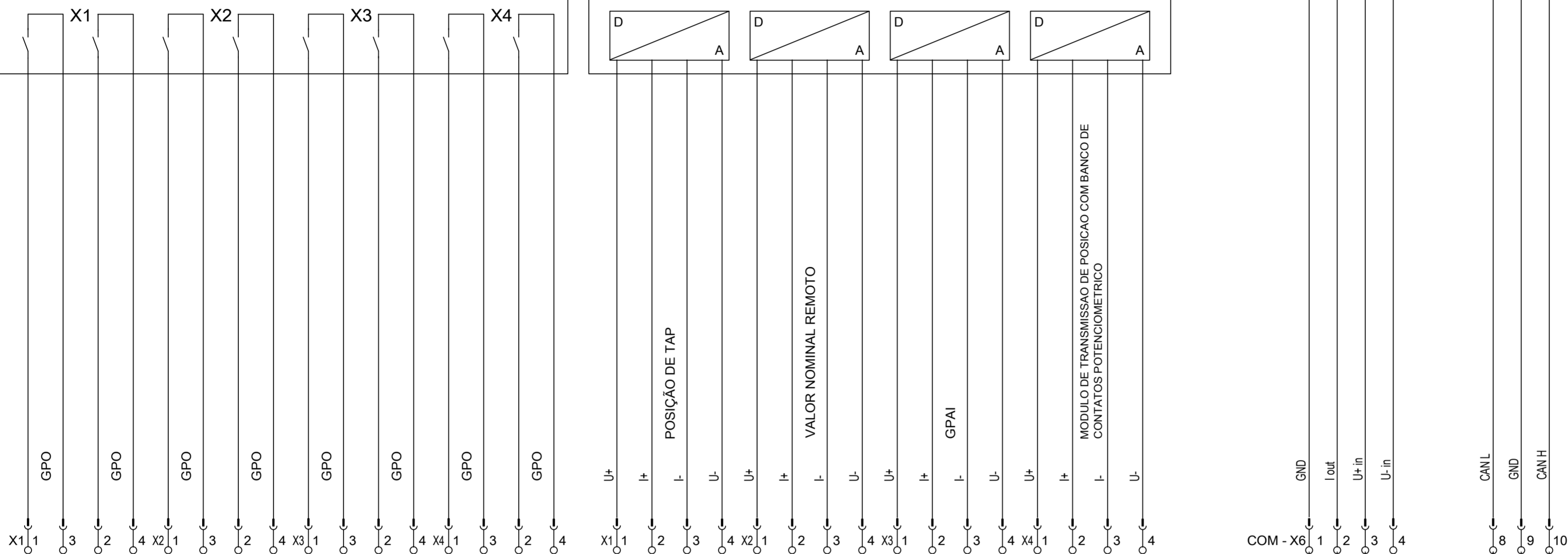
TAPCON® 230 - AVT

UNIDADE CENTRAL DE PROCESSAMENTO

COM

SAÍDAS DIGITAIS DO 8-2

ENTRADAS ANALÓGICAS AI 4



Fuer diese technische Unterlage behalten wir uns gemaess DIN 34 Abschnitt 2.1 und 2.2 alle Rechte vor.

DRAWING BY CAD
DO NOT MODIFY MANUALLY

02	X7,X1,X6 connection	01.10.21	LAINER	DATE	22.01.2021
01	BCD SIGNAL	30.06.21	KAHN	EXEC.	BECK
				VERIFIED	AP
NO.	MODIFICATION	DATE	NAME	STANDARD	ORIGIN
					REPL
					REPL BY



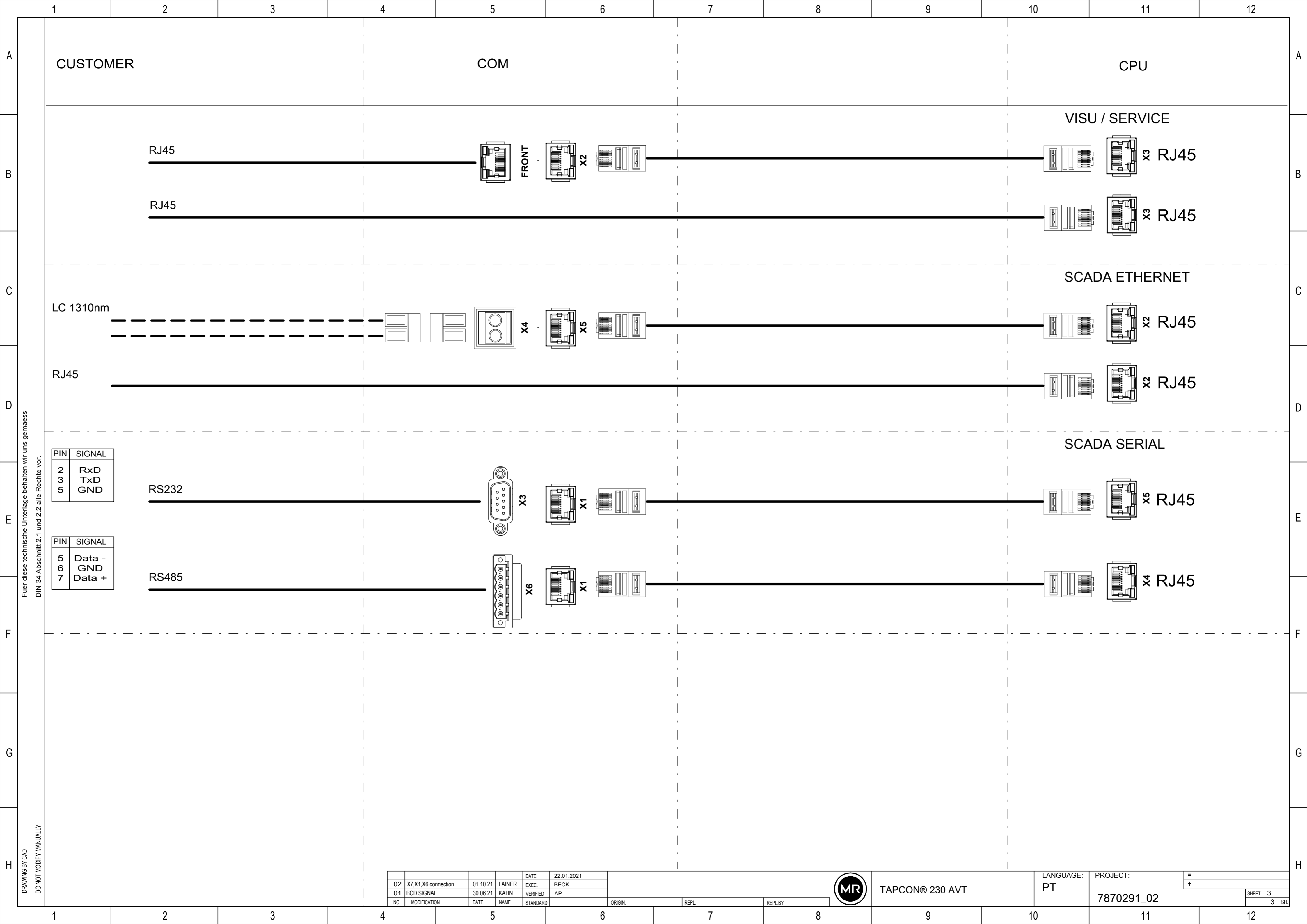
TAPCON® 230 AVT

LANGUAGE:
PT

PROJECT:

7870291_02

=	
+	
	SHEET 2
	3 SH.



Fuer diese technische Unterlage behalten wir uns gemass
 DIN 34 Abschnitt 2.1 und 2.2 alle Rechte vor.

DRAWING BY CAD
 DO NOT MODIFY MANUALLY

PIN	SIGNAL
2	RxD
3	TxD
5	GND

PIN	SIGNAL
5	Data -
6	GND
7	Data +

NO.	MODIFICATION	DATE	NAME	STANDARD	ORIGIN	REPL	REPL BY
02	X7,X1,X6 connection	01.10.21	LAINER				
01	BCD SIGNAL	30.06.21	KAHN				



TAPCON® 230 AVT

LANGUAGE:
PT

PROJECT:
7870291_02

=	
+	
SHEET	3
	3 SH.

Índice

C		I		S	
Cabos recomendados	344	Instruções de serviço		SCADA	
Caixa	341	Baixar	361	Conexão	349
Compatibilidade eletromagnética		Download	361	Sistema de controle	349
345					
		M		V	
		Montagem na parede	341	Visualização	
				Conexão	359

Maschinenfabrik Reinhausen GmbH

Falkensteinstrasse 8
93059 Regensburg
Germany
+49 941 4090-0
info@reinhausen.com
[reinhausen.com](https://www.reinhausen.com)

Please note:
The data in our publications may differ from the data of the devices delivered.
We reserve the right to make changes without notice.
7820658/06 - TAPCON® 230 Installation Instructions -
01/24
Maschinenfabrik Reinhausen GmbH 2024

THE POWER BEHIND POWER.